



Shield 54in Zero Turn Riding Mower

Model No. SZSH1K54691KR—Serial No. 40000000 and Up

Parts Catalog



Ordering Replacement Parts

To order replacement parts, please supply the part number, the quantity, and the description of each part desired.

Understanding Reference Numbers

Each identified part in an illustration has a reference number. The reference number for a part also appears in the parts list, along with other information about the part.

This catalog uses two special reference number formats, one to indicate parts in a service assembly and another to indicate the quantity of a given part in an illustration.

Service Assembly Reference Numbers

Parts in service assemblies have reference numbers in the form a:b. The a represents the reference number of the entire service assembly and the b represents a sequential number unique to each part within the service assembly.

For example, a wheel assembly might be identified by reference number 6, the tire by 6:1, the valve by 6:2, and the wheel by 6:3. When you order the assembly identified by reference number 6, you receive all parts identified by reference numbers 6:1, 6:2, and 6:3. However, you may also order any part individually. Reference numbers of this type appear in illustration and in parts lists.

Reference Numbers Indicating Quantity

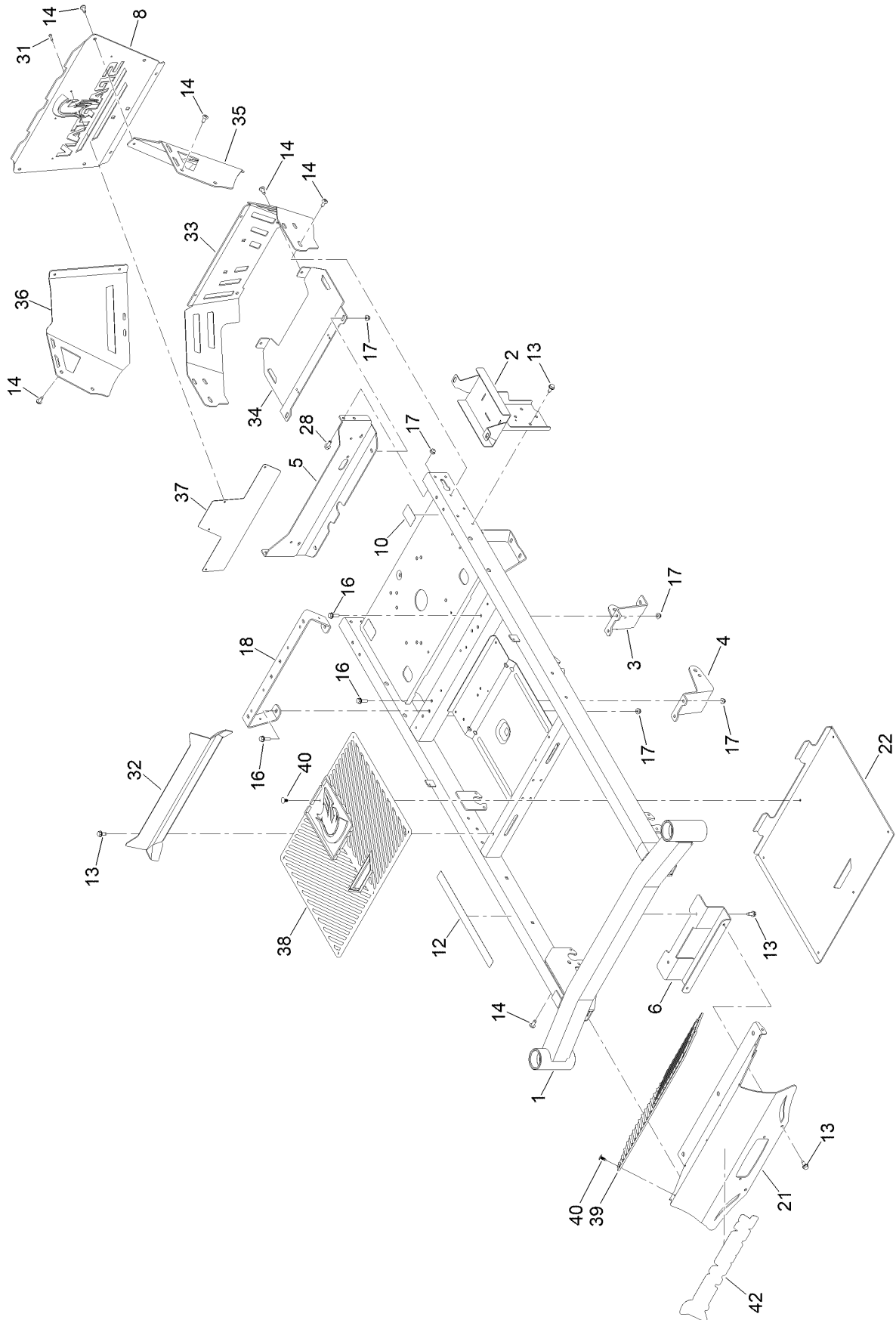
In an illustration, if a reference number indicates more than one part, the reference number has the form nX y. The n represents the quantity of the part, the X is the multiplication symbol, and the y represents the reference number.

For example, in an illustration, the reference number 2X 37 means that two of the parts identified by reference number 37 are indicated.

Contents

Frame Assembly	4
Fuel Delivery and Body Styling Assembly	6
Fuel Tank Assembly No. 145-6304	8
LH Upper Pod W/Decal Assembly No. 148-0284	10
RH Upper Pod W/Decal Assembly No. 148-0280	12
Decklift Assembly	14
Caster Wheel Assembly	16
Wheel Assembly No. 145-4692	18
Traction Drive Assembly	20
Brake Assembly	22
Rear Tire Assembly	24
Seat Pan Assembly	26
Motion Control Assembly	28
Engine and Muffler Assembly	30
Electrical Assembly	32
54in Deck Assembly	34
Deck Decal Assembly No. 161-6439	36
Decal Assembly	38
Clutch Assembly	40

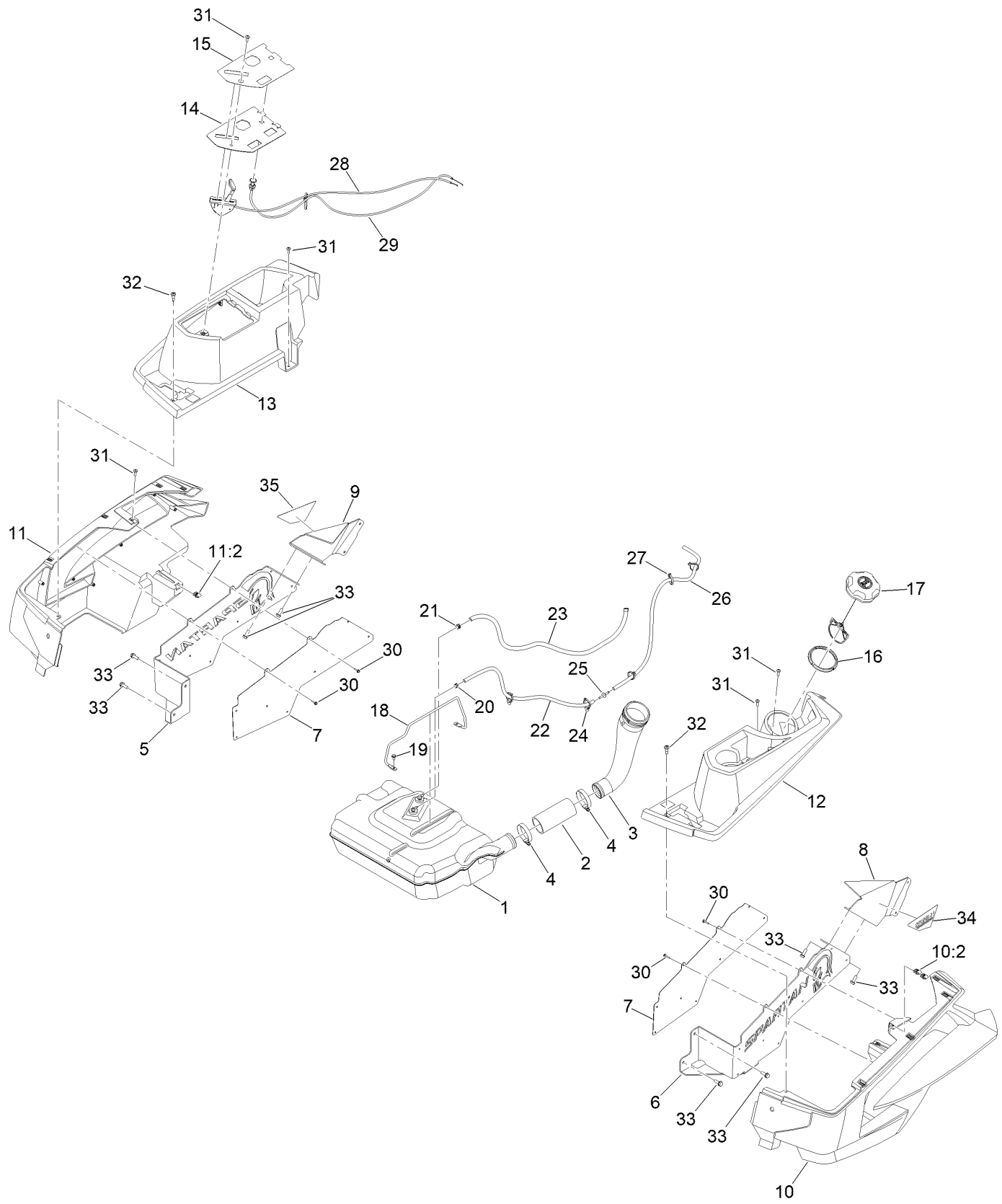
Frame Assembly



Frame Assembly (continued)

<i>Ref.</i>	<i>Part Number</i>	<i>Qty.</i>	<i>Description</i>	<i>Ref.</i>	<i>Part Number</i>	<i>Qty.</i>	<i>Description</i>
1	148-0484	1	Frame ASM	21	148-0023-P11	1	Plate-Front
2	145-6283-P11	1	Wa-Battery Mount	22	148-0006-P11	1	Plate-Floor
3	161-6506-P11	1	Mount-Drive, LH	28	139-2598	4	Screw-HHF
4	161-6507-P11	1	Mount-Drive, RH	31	130-8451	4	Rivet-Trifold
5	147-8709-P11	1	Plate-Mount	32	161-9744-P11	1	Plate-Kick
6	148-0024-P11	1	Bracket-Support	33	148-1082-P11	1	Guard Muffler
8	148-1084-P11	1	Shield Guard Engine	34	148-1081-P11	1	Guard Muffler
10	148-0434	2	Decal-Bypass	35	148-0008-P11	1	Cowling-Rear, LH
12	144-5288	1	Decal-Warning	36	148-0009-P11	1	Cowling-Rear, RH
13	32144-70	11	Screw-HWHTF	37	148-0012-P12	1	Plate-Rear
14	138-9753	20	Screw	38	148-0017	1	Floor Mat
16	139-2596	6	Screw-HHF	39	148-0018	1	Front Foot Mat (Spartan)
17	119-4041	12	Nut-HF	40	117-2382	12	Plug-Plastic
18	161-6585-03	1	Support-Seat	42	148-0801	1	Decal-Spartan, Front

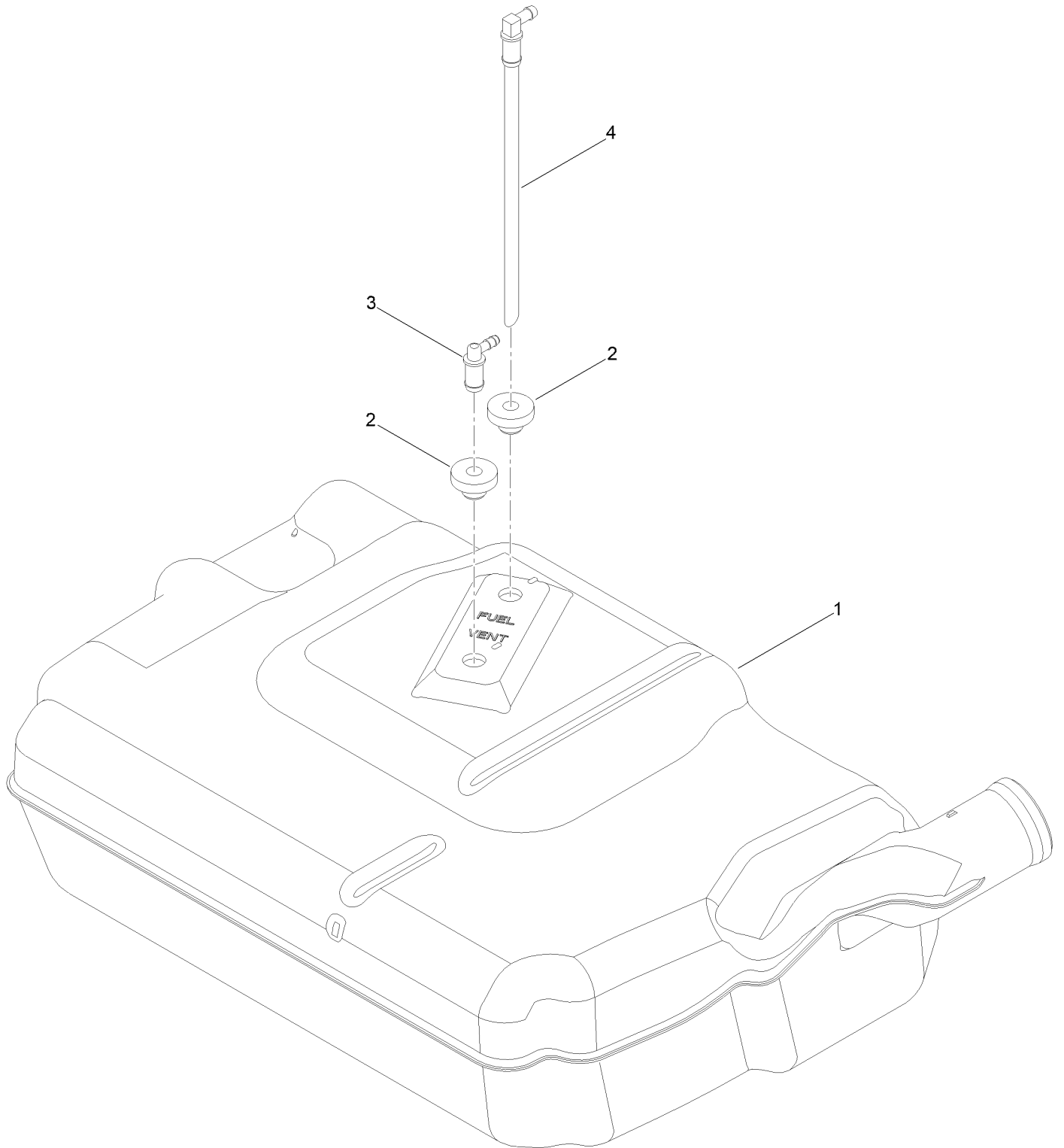
Fuel Delivery and Body Styling Assembly



Fuel Delivery and Body Styling Assembly (continued)

<i>Ref.</i>	<i>Part Number</i>	<i>Qty.</i>	<i>Description</i>	<i>Ref.</i>	<i>Part Number</i>	<i>Qty.</i>	<i>Description</i>
1	145-6304	1	Fuel Tank ASM	16	147-7712	1	Ring-Retaining
2	161-6421	1	Hose-Filler, Fuel	17	137-4119	1	Cap-Fuel, Ratcheting
3	147-7657	1	Neck-Filler, Fuel	18	147-5176	1	Rod-Hold Down
4	2412-130	2	Clamp-Hose	19	32144-4	2	Screw-HWH
5	148-0316-P11	1	Bracket-Mount, RH Pod	20	2412-80	1	Clamp-Hose
6	148-0317-P11	1	Bracket-Mount, LH Pod	21	2412-98	2	Clamp-Hose
7	148-0318	2	Plate-Backer	22	140-4956	1	Hose-Fuel
8	148-0320-P11	1	Bracket-Mount, LH Pod	23	109-0275	1	Hose-Fuel
9	148-0319-P11	1	Bracket-Mount, RH Pod	24	32180-030	2	Clip-Tie
10	148-0311	1	LH Pod ASM	25	144-1983	1	Adapter Orifice
10:2	107069	2	Clip	26	108-6344	1	Hose-Fuel
11	148-0310	1	RH Lower Pod W/Decal ASM	27	614249	4	Tie-Cable
11:2	107069	2	Clip	28	139-2403	1	Cable-Throttle
12	148-0284	1	LH Upper Pod W/Decal ASM	29	139-2402	1	Cable-Choke
13	148-0280	1	RH Upper Pod W/Decal ASM	30	137-3110	18	Screw-Plastite, HWH
14	148-0312-P11	1	Plate-Control	31	138-0689	5	Screw-PH
15	148-0022	1	Decal-Control Panel	32	148-0104	2	Screw-Torx
				33	32144-41	8	Screw-Taptite
				34	148-0019	1	Decal-Shield, LH
				35	148-0020	1	Decal-Shield, RH

Fuel Tank Assembly No. 145-6304



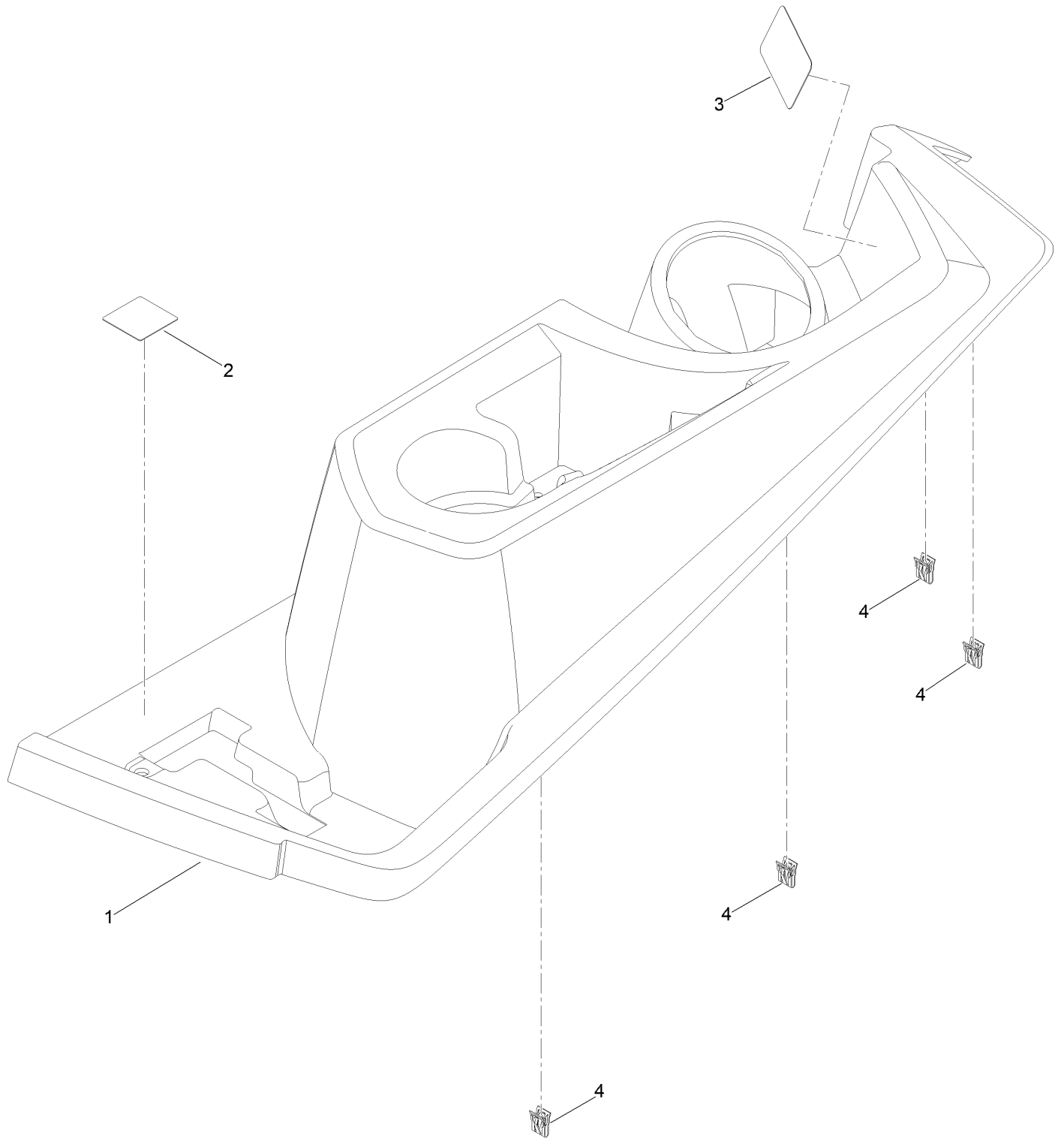
Fuel Tank Assembly No. 145-6304 (continued)

<i>Ref.</i>	<i>Part Number</i>	<i>Qty.</i>	<i>Description</i>
1		1	Tank-Fuel ●
2	46-6560	2	Bushing

<i>Ref.</i>	<i>Part Number</i>	<i>Qty.</i>	<i>Description</i>
3	144-5302	1	Fitting-Elbow 90
4	147-2934	1	Fitting-Pickup, Fuel

● Not serviced separately

LH Upper Pod W/Decal Assembly No. 148-0284

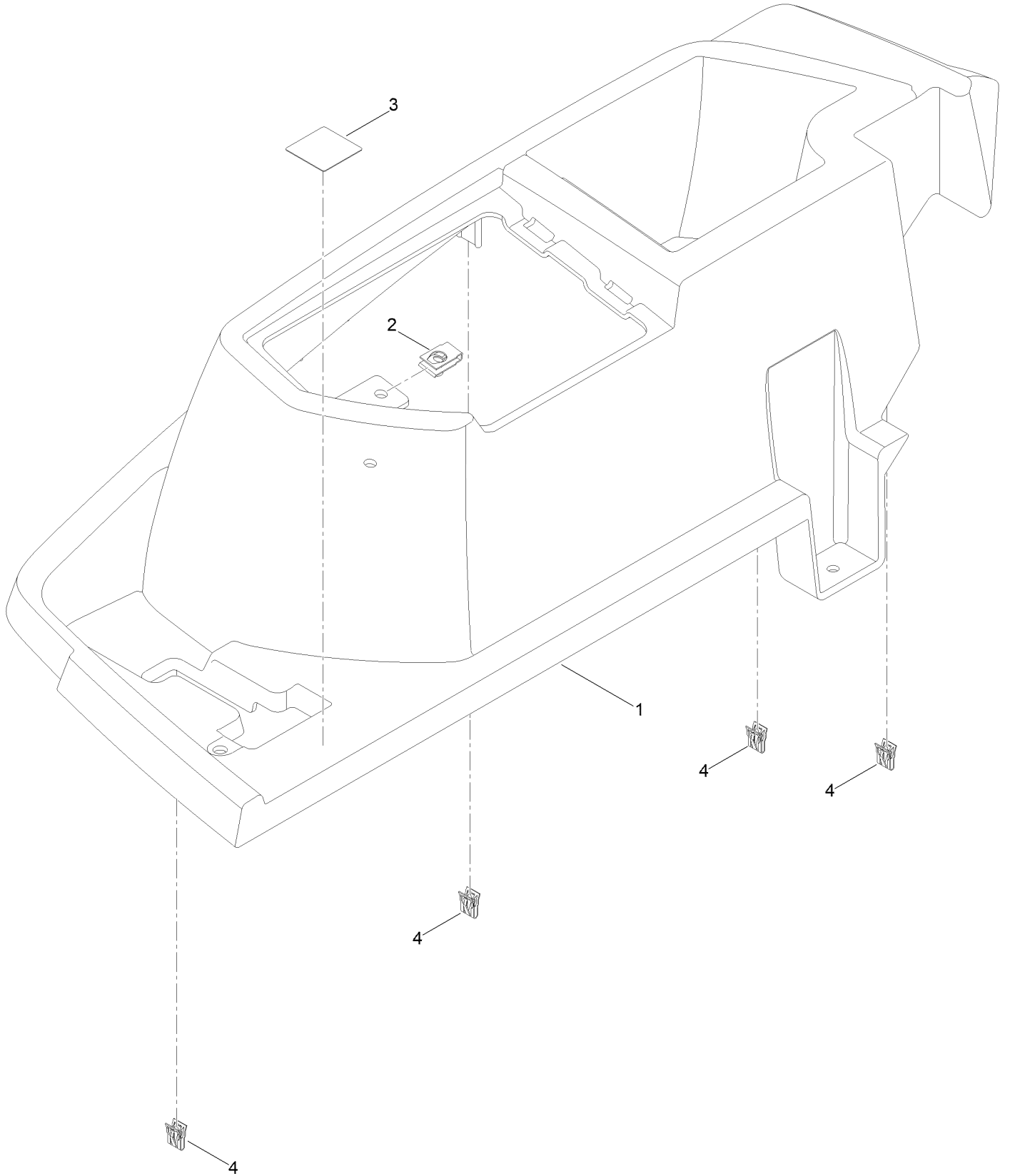


LH Upper Pod W/Decal Assembly No. 148-0284 (continued)

<i>Ref.</i>	<i>Part Number</i>	<i>Qty.</i>	<i>Description</i>	<i>Ref.</i>	<i>Part Number</i>	<i>Qty.</i>	<i>Description</i>
1		1	Pod-Upper, LH ●	3	148-0433	1	Decal-Fuel Fill
2	148-0315	1	Decal-Control, LH	4	148-0423	4	Clip

● Not serviced separately

RH Upper Pod W/Decal Assembly No. 148-0280



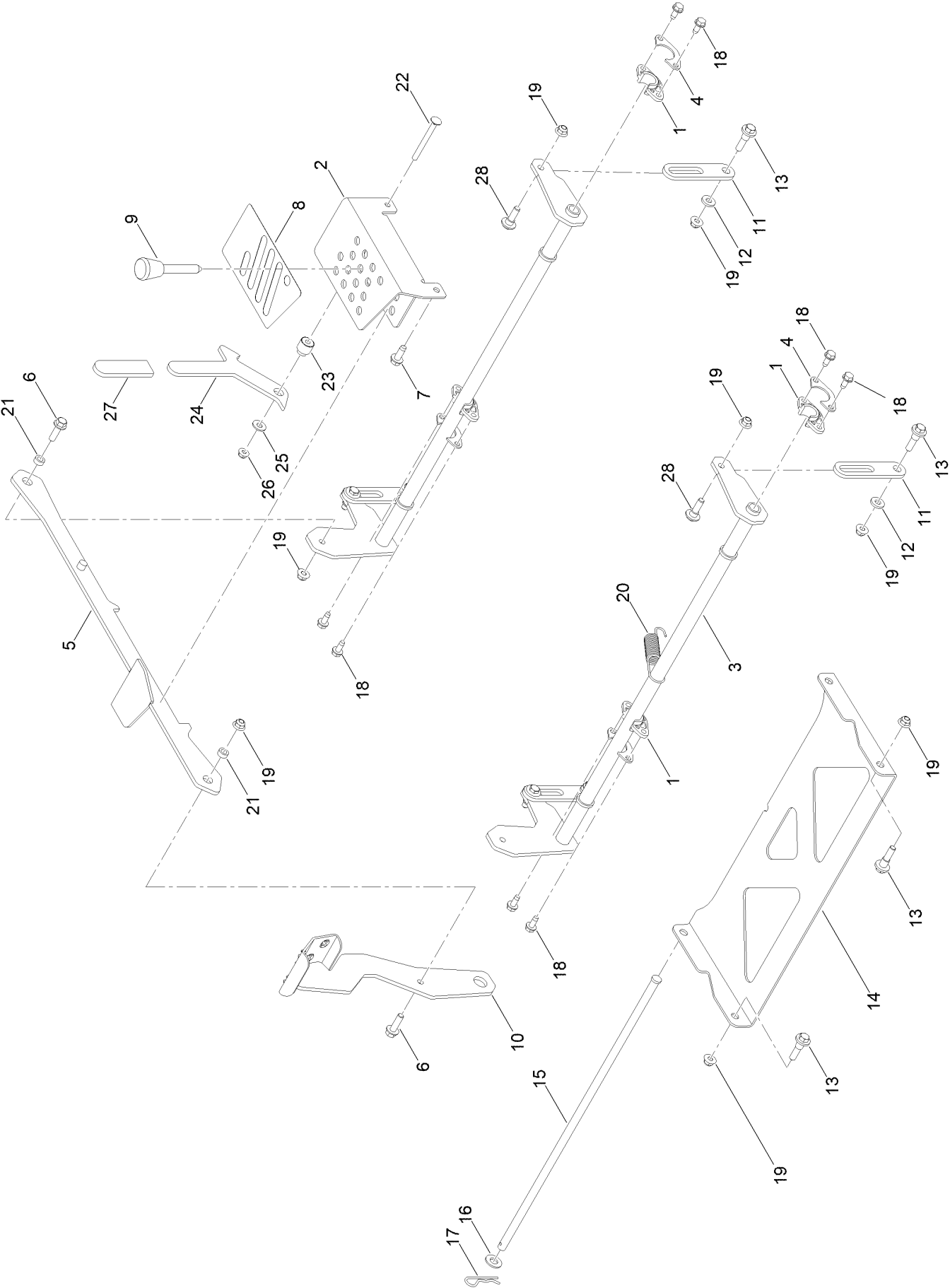
RH Upper Pod W/Decal Assembly No. 148-0280 (continued)

<i>Ref.</i>	<i>Part Number</i>	<i>Qty.</i>	<i>Description</i>
1		1	Pod-Upper, RH ●
2	107069	1	Clip

<i>Ref.</i>	<i>Part Number</i>	<i>Qty.</i>	<i>Description</i>
3	148-0314	1	Decal-Control, RH
4	148-0423	4	Clip

● Not serviced separately

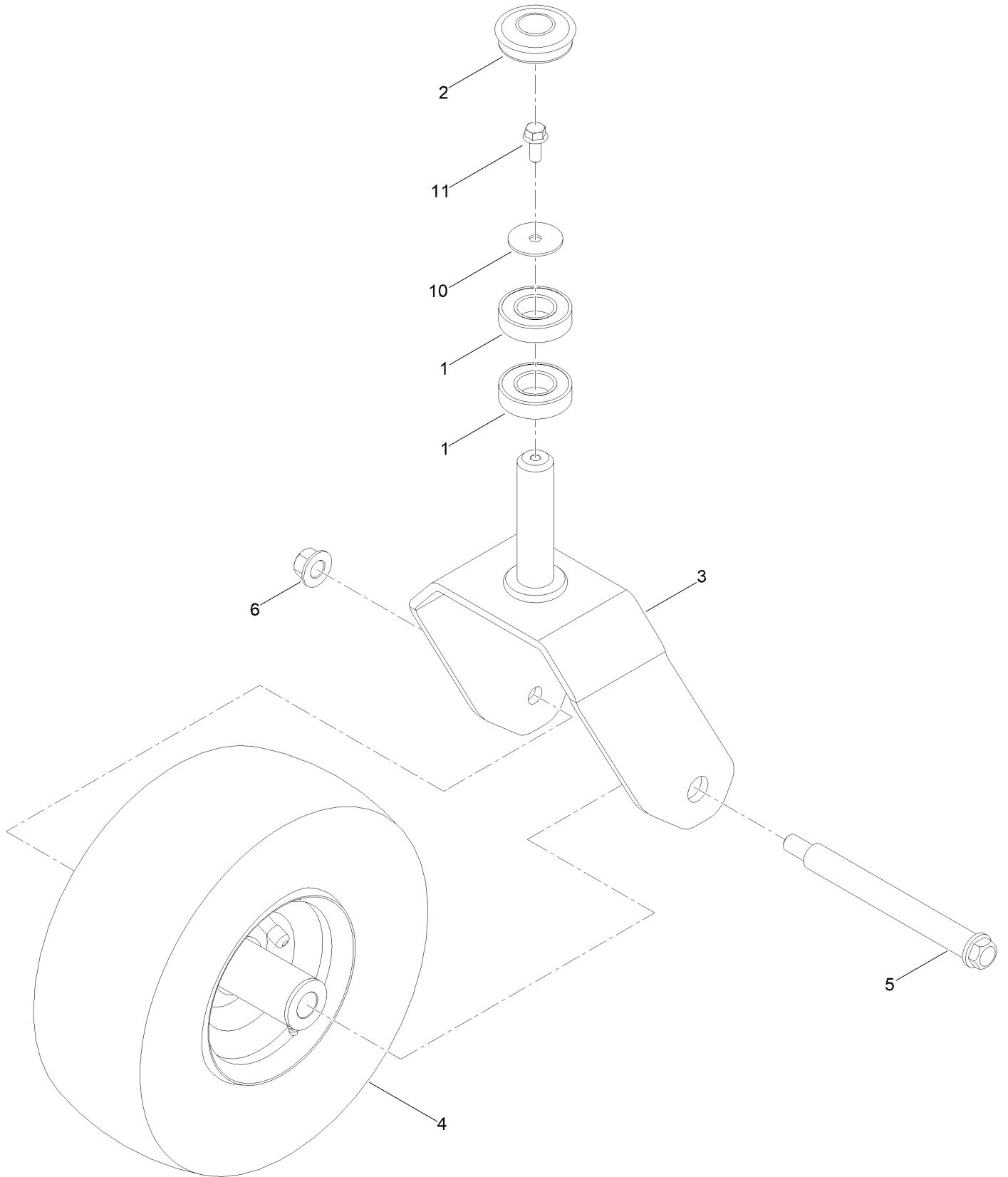
Decklift Assembly



Decklift Assembly (continued)

<i>Ref.</i>	<i>Part Number</i>	<i>Qty.</i>	<i>Description</i>	<i>Ref.</i>	<i>Part Number</i>	<i>Qty.</i>	<i>Description</i>
1	139-5872	4	Bearing-Flange	15	145-6288	1	Pin-Deck
2	145-6260-P11	1	Bracket-HOC	16	139-2611	1	Washer-Flat
3	161-4632-P11	2	Pivot	17	139-2562	1	Pin-Hair
4	138-7204	4	Gusset-Deck Lift	18	32144-70	8	Screw-HWHTF
5	145-6262-P11	1	Link-HOC	19	119-4042	12	Nut-HF, NI
6	119-4061	2	Screw-HHF	20	138-7206	1	Spring-Extension
7	139-2428	1	Screw-HWH	21	140-2093	2	Spacer
8	148-0432	1	Decal-HOC	22	138-0741	1	Screw-CARR
9	140-2146	1	HOC Pin ASM	23	145-6282	1	Spacer-Stepped
10	145-6278-P11	1	Pedal	24	145-6279	1	Plate-Transport Lock
11	148-0463-P11	4	Link-HOC	25	137-3082	1	Washer-Plain
12	138-7207	4	Spacer-Hub, Blower	26	119-4041	1	Nut-HF
13	130-0742	6	Bolt-Shoulder	27	140-0413	1	Grip-Handle
14	145-6248-03	1	Pan-Deck Pivot	28	614672	4	Screw-Shoulder, HWH

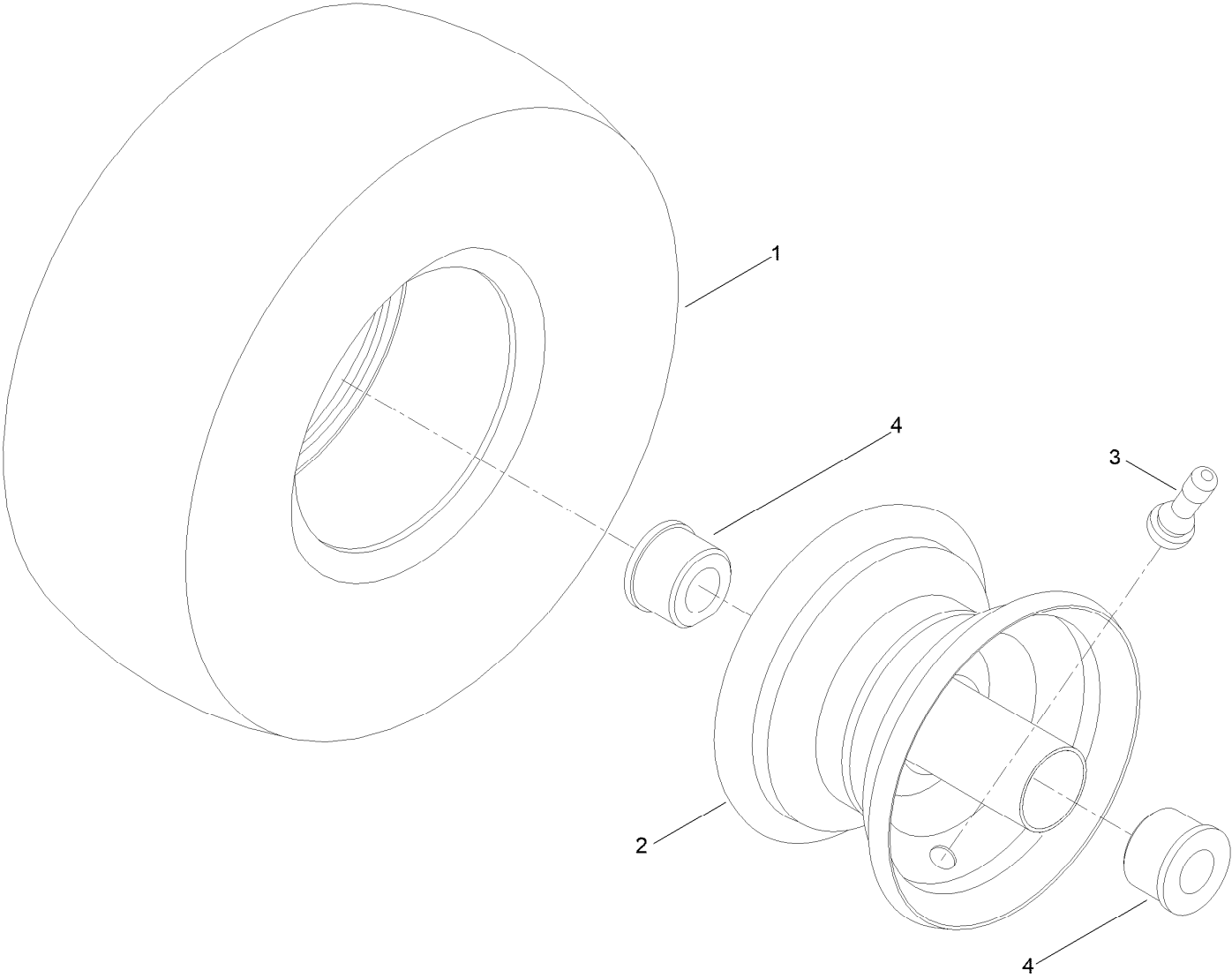
Caster Wheel Assembly



Caster Wheel Assembly (continued)

<i>Ref.</i>	<i>Part Number</i>	<i>Qty.</i>	<i>Description</i>	<i>Ref.</i>	<i>Part Number</i>	<i>Qty.</i>	<i>Description</i>
1	109-3678	4	Bearing-Ball	5	145-4649	2	Screw-Shoulder HHF
2	144-0375	2	Cap, Grease	6	99-5107	2	Nut-Lock
3	145-4674-P11	2	Fork	10	115-1151	2	Washer-Flat
4	145-4692	2	Wheel ASM - Caster 12X6-5	11	139-2598	2	Screw-HHF

Wheel Assembly No. 145-4692

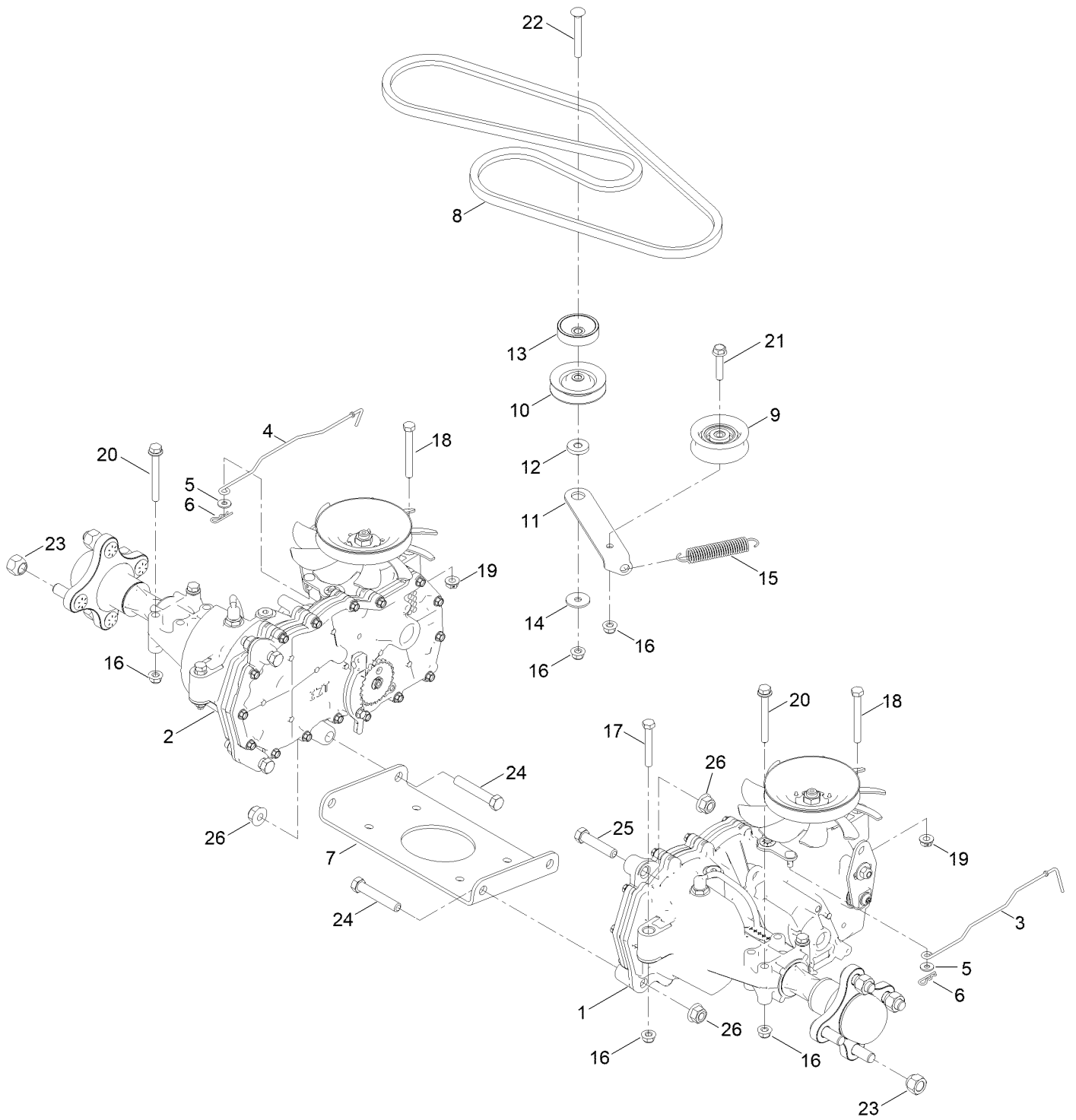


Wheel Assembly No. 145-4692 (continued)

<i>Ref.</i>	<i>Part Number</i>	<i>Qty.</i>	<i>Description</i>
1	145-4672	1	Tire 12X6-5
2	145-4673	1	Wheel (W/ Zerk And Bushings)

<i>Ref.</i>	<i>Part Number</i>	<i>Qty.</i>	<i>Description</i>
3	232-27	1	Stem-Valve
4	114-1640	2	Bushing-Flange

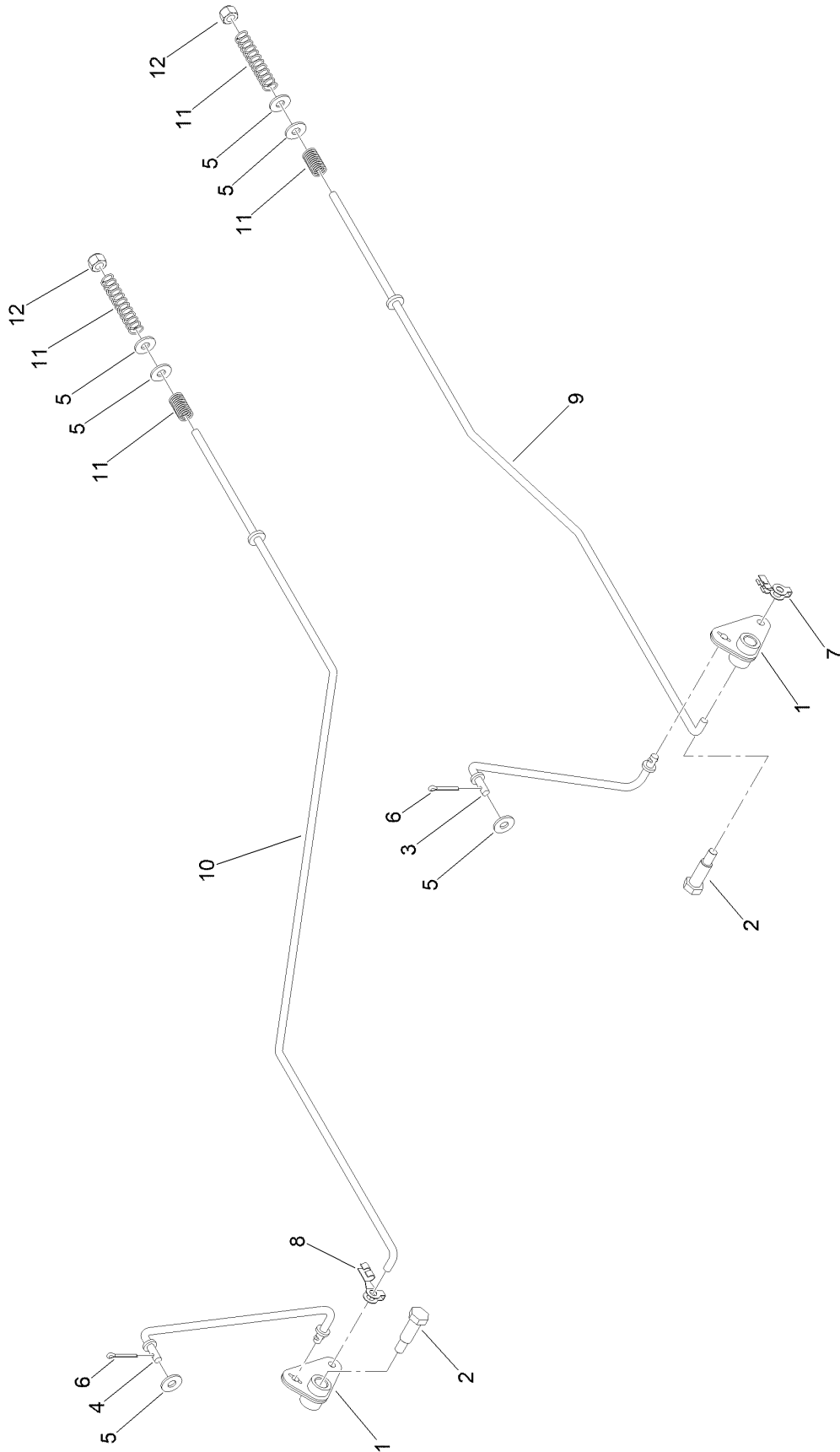
Traction Drive Assembly



Traction Drive Assembly (continued)

<i>Ref.</i>	<i>Part Number</i>	<i>Qty.</i>	<i>Description</i>	<i>Ref.</i>	<i>Part Number</i>	<i>Qty.</i>	<i>Description</i>
1	139-7470	1	LH Hydro Transaxle ASM	14	5-4460	1	Washer-Pivot
2	139-7471	1	RH Hydro Transaxle ASM	15	137-7040	1	Spring-Return, Pedal
3	147-2988	1	Rod-Bypass, LH	16	104-8300	8	Nut-HF, NI
4	147-2989	1	Rod-Bypass, RH	17	322-11	2	Screw-HH
5	119-8952	2	Washer-Spcl	18	145-6388	2	Screw-HH Spcl
6	3290-307	2	Pin-Cotter	19	139-2574	2	Nut-HF
7	145-6390-03	1	Plate-Cross Hydro	20	138-7590	4	Screw-HHF
8	145-6361	1	V-Belt (A Sec 63.8 EI)	21	115-1794	1	Screw-HHF
9	138-7597	1	Pulley-Idler, Flat	22	3230-8	1	Screw-CARR
10	68-0030	1	Idler	23	139-2564	8	Nut-Lug
11	147-2925	1	Arm-Idler	24	324-10	4	Screw-HH
12	138-7277	1	Spacer-Arm, Idler	25	324-8	2	Screw-HH
13	138-9809	1	Spacer	26	114-8417	6	Nut-HF, NI

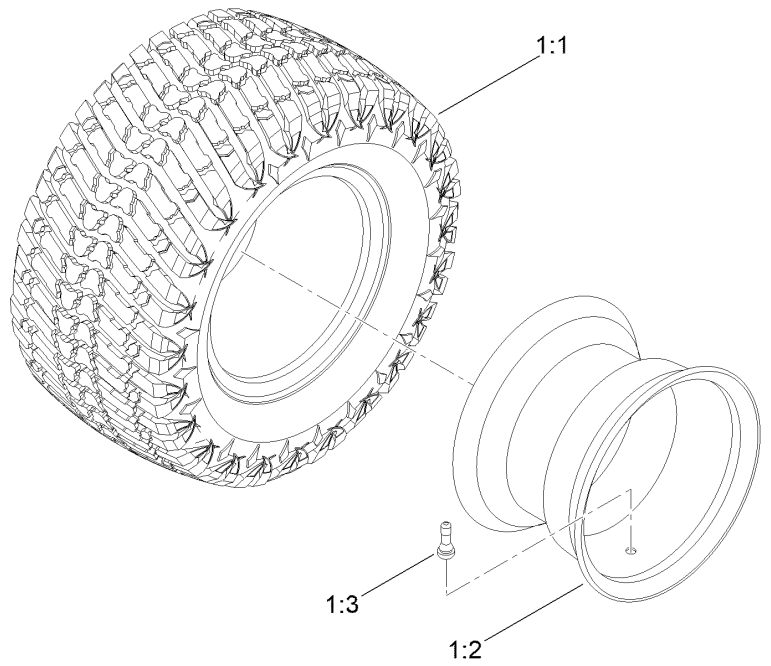
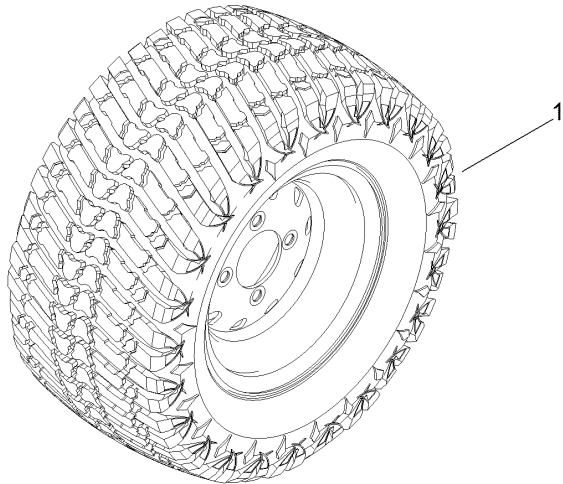
Brake Assembly



Brake Assembly (continued)

<i>Ref.</i>	<i>Part Number</i>	<i>Qty.</i>	<i>Description</i>	<i>Ref.</i>	<i>Part Number</i>	<i>Qty.</i>	<i>Description</i>
1	161-6420	2	Bellcrank	7	144-1816	1	Clip-Rod, LH (7L, 1/4In)
2	145-6364	2	Bolt-Shoulder	8	144-1815	1	Clip-Rod, RH (7R, 1/4In)
3	145-4607	1	Link-Brake, LH	9	144-1860	1	Rod-Brake, LH
4	145-6238	1	Link-Brake, RH	10	144-1851	1	Rod-Brake, RH
5	119-8952	6	Washer-Spcl	11	117-1169	4	Spring-Compression
6	120-9716	2	Pin-Cotter	12	3296-42	2	Nut-Lock, NI

Rear Tire Assembly

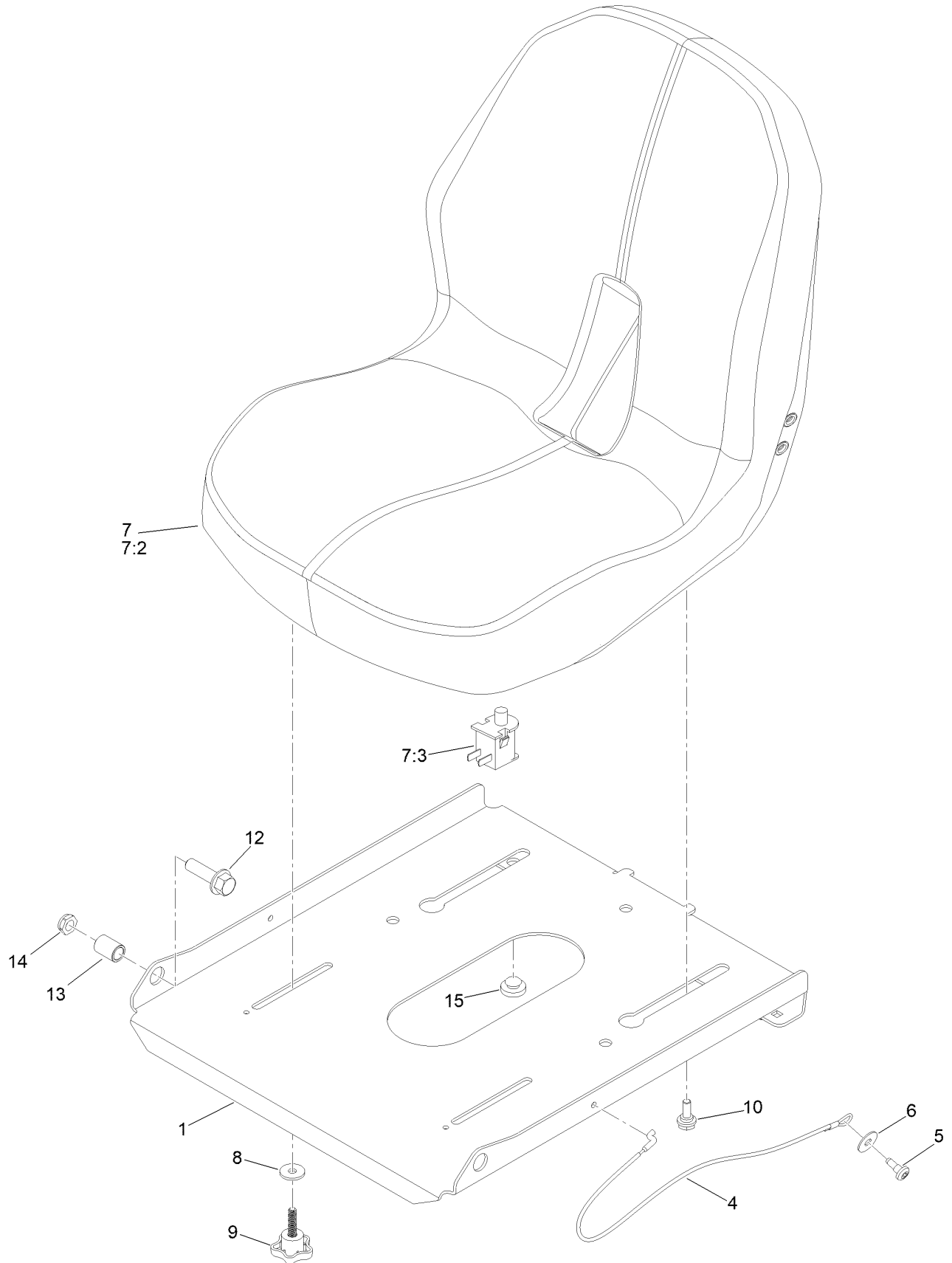


Rear Tire Assembly (continued)

<i>Ref.</i>	<i>Part Number</i>	<i>Qty.</i>	<i>Description</i>
1	422-0052-00	2	Tire ASM
1:1	422-0056-00	1	Tire

<i>Ref.</i>	<i>Part Number</i>	<i>Qty.</i>	<i>Description</i>
1:2	422-0050-00	1	Rim
1:3	232-27	1	Stem-Valve

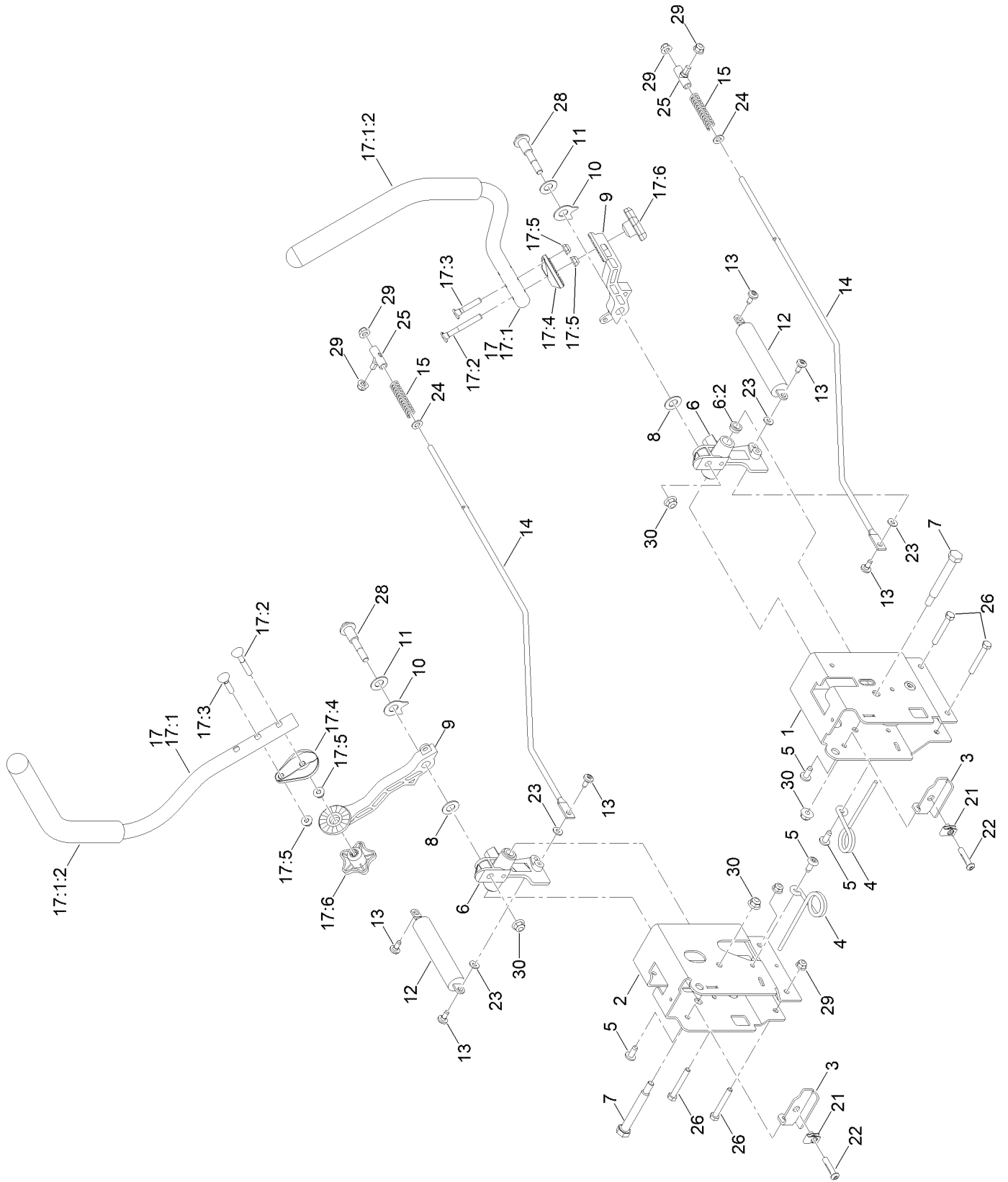
Seat Pan Assembly



Seat Pan Assembly (continued)

<i>Ref.</i>	<i>Part Number</i>	<i>Qty.</i>	<i>Description</i>	<i>Ref.</i>	<i>Part Number</i>	<i>Qty.</i>	<i>Description</i>
1	163-2360-P11	1	Pan-Seat, Lowered	8	1-603716	2	Washer-Friction
4	139-2398	1	Cable-Lanyard	9	139-2401	2	Knob
5	135-2015	1	Screw-Shoulder	10	147-5174	2	Bolt-Shoulder,Hfh
6	147-5287	1	Washer-Flat	12	130-6481	2	Screw-HHF
7	148-0485	1	Service-Seat	13	161-9735	2	Bushing-Pivot, Seat
7:2	161-6446	1	Cover-Seat	14	3296-45	2	Nut-Hex
7:3	82-2190	1	Switch-Bail	15	135-0505	2	Bumper-Seat

Motion Control Assembly

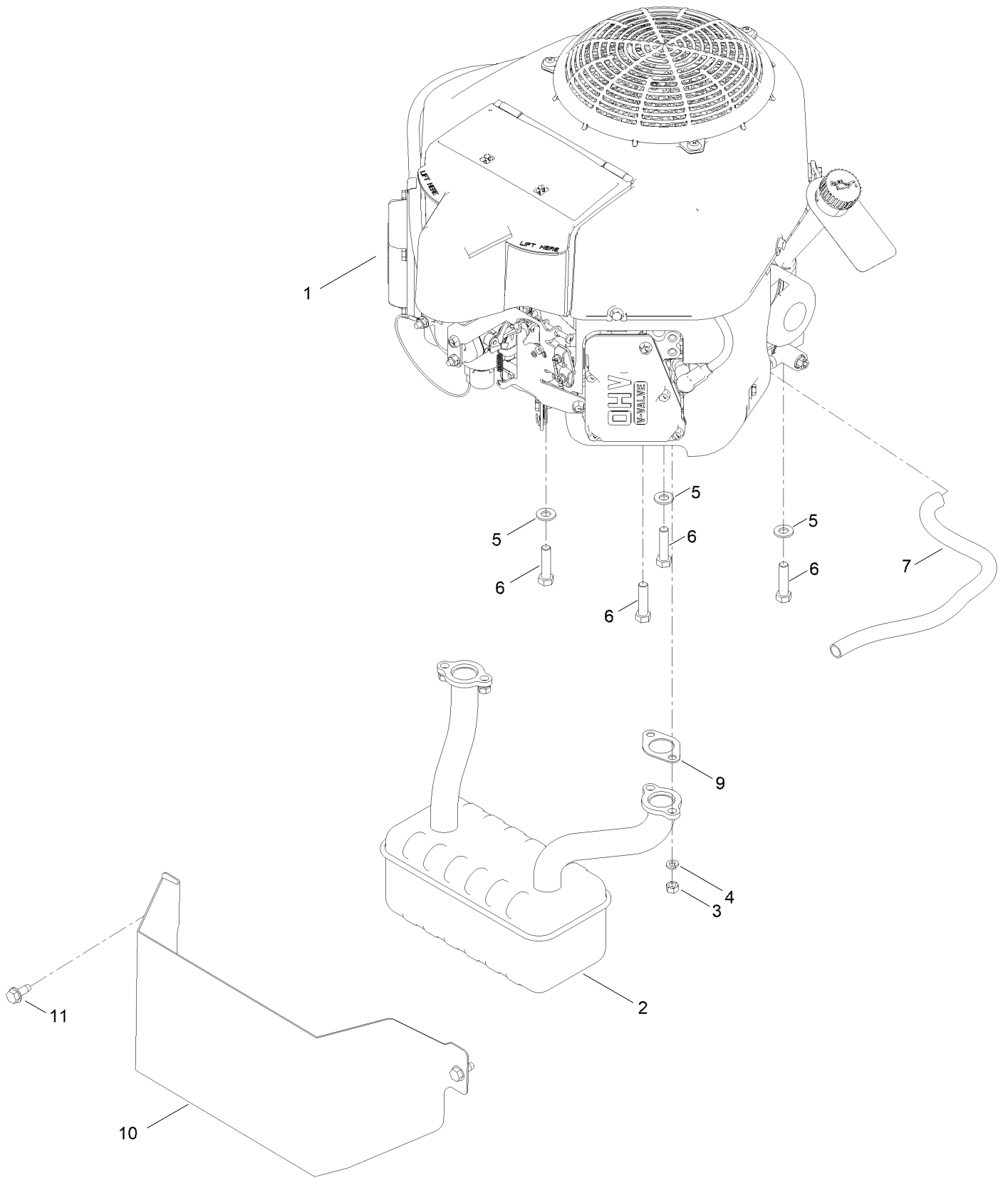


Motion Control Assembly (continued)

<i>Ref.</i>	<i>Part Number</i>	<i>Qty.</i>	<i>Description</i>	<i>Ref.</i>	<i>Part Number</i>	<i>Qty.</i>	<i>Description</i>
1	145-4615-03	1	Control Box - LH G7	17:1		1	Handle-Control ●
2	145-4647-03	1	Control Box - RH G7	17:1:2	147-3029	1	Grip
3	147-7580-03	2	Adjustment Plate-Control Box	17:2	145-6366	1	Screw-Handle
4	145-6253	2	Spring-Torsion	17:3	137-3008	1	Screw-Handle
5	138-9753	4	Screw	17:4	147-5192-05	1	Disc-Adjustment Handle, 32 Teeth
6	145-4648	2	Pivot Arm ASM	17:5	138-8401	2	Nut-HF
6:2	256-156	2	Bushing-Flange	17:6	117-5976	1	Knob-Handle
7	115-5099	2	Bolt-Pivot	21	112-3306	2	Nut
8	120-2273	2	Washer-Nylon	22	126-4299	2	Screw-HSBH
9	147-5191-05	2	Arm-Control, 32 Teeth	23	119-8952	4	Washer-Spcl
10	142-8478	2	Spacer, Anti-Rotation	24	120-9683	2	Washer-Plain
11	119-8925	2	Washer-Belleville	25	138-7218	2	Mount-Rod, Hydro
12	132-6853	2	Damper-Non Cavitating	26	120-9738	4	Screw-HH
13	120-7950	6	Screw-Torx	28	117-1198	2	Bolt-Pivot
14	145-4699	2	Rod - Hydro, LH	29	104-8300	8	Nut-HF, NI
15	138-7252	2	Spring-Compression	30	104-8301	4	Nut-HF, NI
17	161-6526	2	Control Handle ASM				

● Not serviced separately

Engine and Muffler Assembly



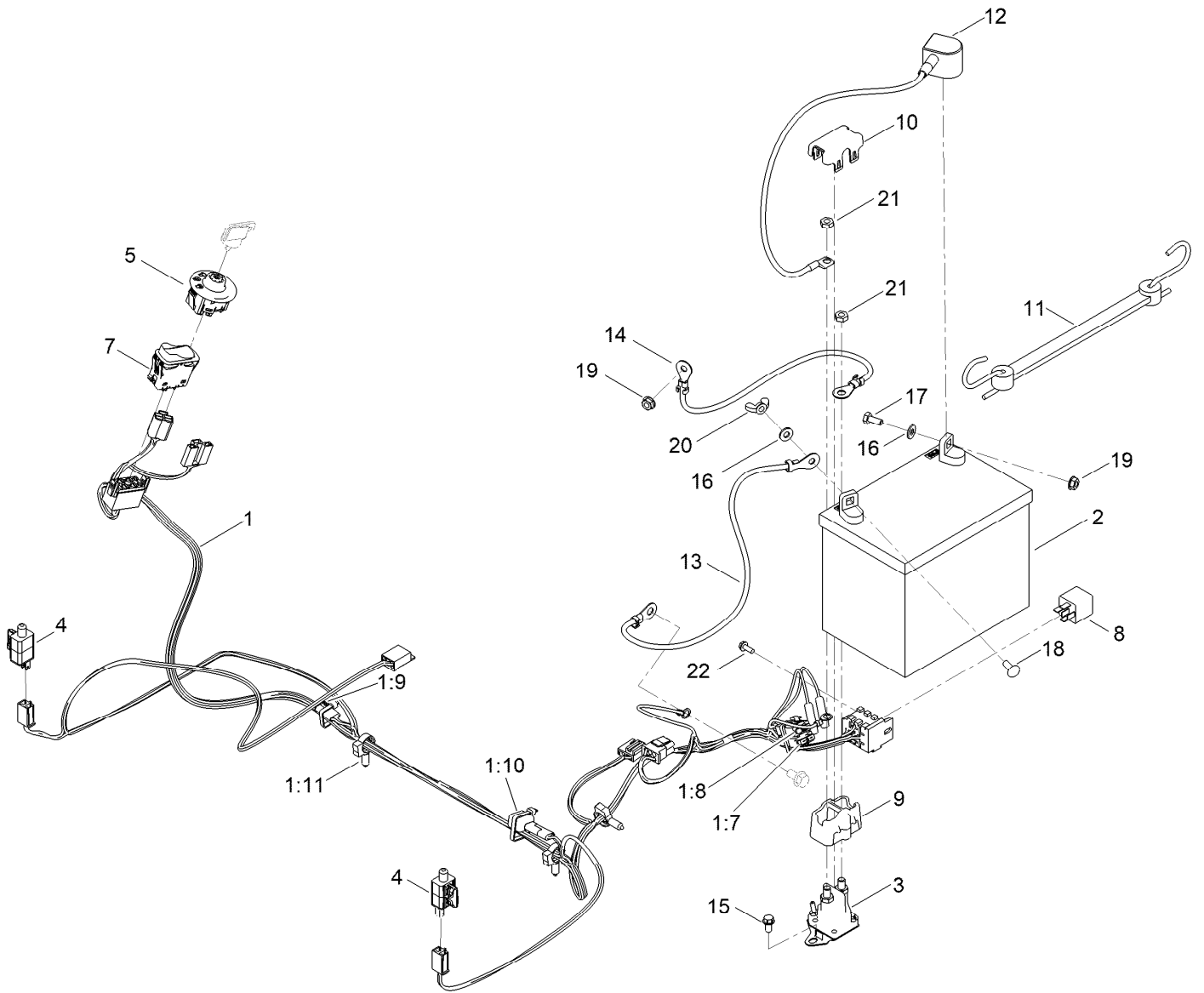
Engine and Muffler Assembly (continued)

<i>Ref.</i>	<i>Part Number</i>	<i>Qty.</i>	<i>Description</i>	<i>Ref.</i>	<i>Part Number</i>	<i>Qty.</i>	<i>Description</i>
1		1	Engine-Kawasaki, Fr691V-_s07-R ●■	6	323-50	4	Bolt-HH
2	139-5867	1	Muffler	7	106-7022	1	Tube-Drain, Oil
3	114-3549	4	Nut	9	1-653313	2	Gasket-Exhaust
4	114-3550	4	Washer-Lock	10	161-6221-03	1	Heat Shield-Muffler
5	3256-24	3	Washer-Plain	11	32144-70	2	Screw-HWHTF

● Not serviced separately

■ Obtain parts from www.kawpower.com

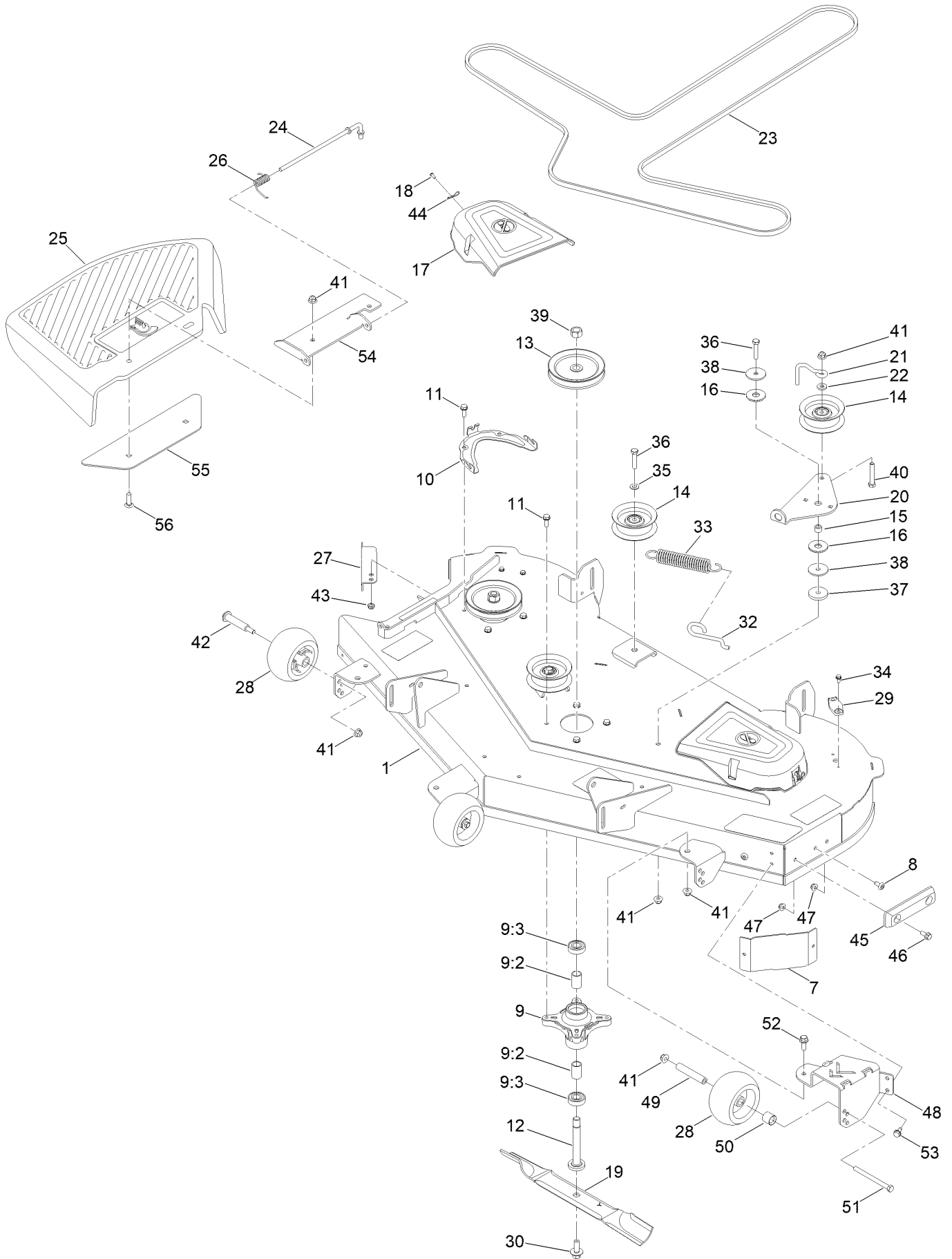
Electrical Assembly



Electrical Assembly (continued)

<i>Ref.</i>	<i>Part Number</i>	<i>Qty.</i>	<i>Description</i>	<i>Ref.</i>	<i>Part Number</i>	<i>Qty.</i>	<i>Description</i>
1	145-6382	1	Harness-Wire, Main	10	140-2081	1	Cap-Solenoid
1:7	109355	1	Fuse-Blade, 15 Amp	11	104-2466	1	Holddown-Battery
1:8	109102	1	Fuse-Blade, 25 Amp	12	147-2941	1	Cable-Battery, Red
1:9	32180-435	1	Cap-Over Mold, 1M/1F	13	119-8899	1	Cable-Battery, Black
1:10	100-4918	1	Diode	14	121-0711	1	Cable-Battery, Positive
1:11	32180-047	3	Clip-Tubing, Harness	15	32144-4	2	Screw-HWH
2	140-2076	1	Battery - Wet	16	3256-22	2	Washer-Flat
3	117-1197	1	Solenoid	17	321-3	1	Screw-HH
4	110-6765	2	Switch	18	3229-1	1	Screw-CARR
5	137-4100	1	Switch-Ignition	19	32128-33	2	Nut-HF
7	139-6368	1	Switch-Rocker, On-None-On	20	32103-22	1	Nut-Wing
8	1-643275	1	Relay	21	3220-2	2	Nut-Jam
9	140-2080	1	Cover-Solenoid	22	139-1713	1	Screw-Thd Roll

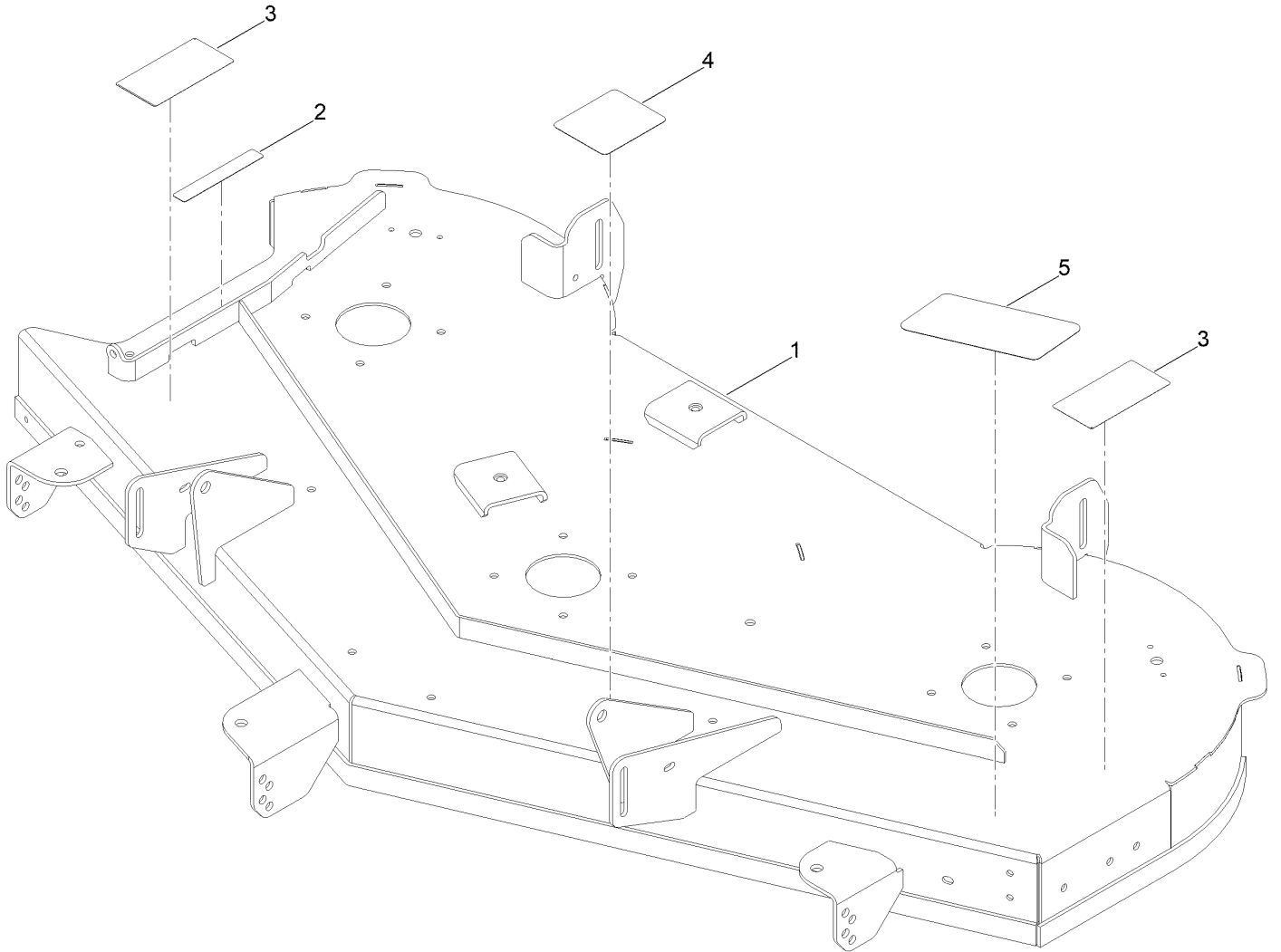
54in Deck Assembly



54in Deck Assembly (continued)

<i>Ref.</i>	<i>Part Number</i>	<i>Qty.</i>	<i>Description</i>	<i>Ref.</i>	<i>Part Number</i>	<i>Qty.</i>	<i>Description</i>
1	161-6439	1	54 In Deck And Decal ASM	30	145-0411	3	Bolt-Blade, Sems
7	139-2448-03	1	Baffle-Corner	32	138-7266	1	Spring-Return, Hook
8	138-9753	2	Screw	33	138-7264	1	Spring-Extension
9	139-3214	3	Spindle ASM	34	32144-4	4	Screw-HWH
9:2	120-7935	2	Spacer	35	3256-24	2	Washer-Plain
9:3	138-9770	2	Bearing-Ball	36	323-9	3	Screw-HH
10	139-3272-03	2	Bracket-Cover, Belt	37	110-9981	1	Washer-Plain
11	32144-41	12	Screw-Taptite	38	63-7400	2	Washer-Rebound
12	117-7268	3	Shaft-Spindle	39	3219-6	3	Nut-Hex
13	138-7261	3	Pulley ASM	40	323-11	1	Screw-HH
14	132-9420	3	Pulley-Idler, Flat	41	104-8301	8	Nut-HF, NI
15	115-4986	1	Spacer	42	112-3977	2	Bolt-Shoulder
16	114-0463	2	Washer-Friction, Composite	43	3296-59	1	Nut-Lock, NI
17	144-1906	2	Cover-Belt	44	144-1944	2	Pin-Hair
18	94-6961	2	Screw	45	148-0117	1	Bumper-Nylon
19	115-2454-03	3	Blade-Hi Lift	46	139-2598	2	Screw-HHF
20	138-7262	1	Arm-Idler	47	119-4041	2	Nut-HF
21	138-7270	1	Guide-Belt, Idler	48	148-0070-P11	1	Plate-Step
22	138-7207	1	Spacer-Hub, Blower	49	138-7229	1	Tube-Spanner
23	147-2910	1	Belt-V (A Sec, 145.5 EI)	50	104-0892	1	Spacer-Axle, Rear
24	137-2019	1	Rod-Pivot	51	323-23	1	Screw-HH
25	148-0399	1	Deflector-Discharge	52	139-2597	1	Screw-HHF
26	138-7268	1	Spring-Torsion	53	32144-70	2	Screw-HWHTF
27	138-9800-03	1	Baffle-Cutoff	54	161-6436-P11	1	Bracket-Discharge, Top
28	1-603299	3	Roller-Scalp, Anti	55	161-6438-P11	1	Support-Deflector
29	136-4171	2	Cover-Washout Port	56	3231-28	2	Screw-CARR

Deck Decal Assembly No. 161-6439

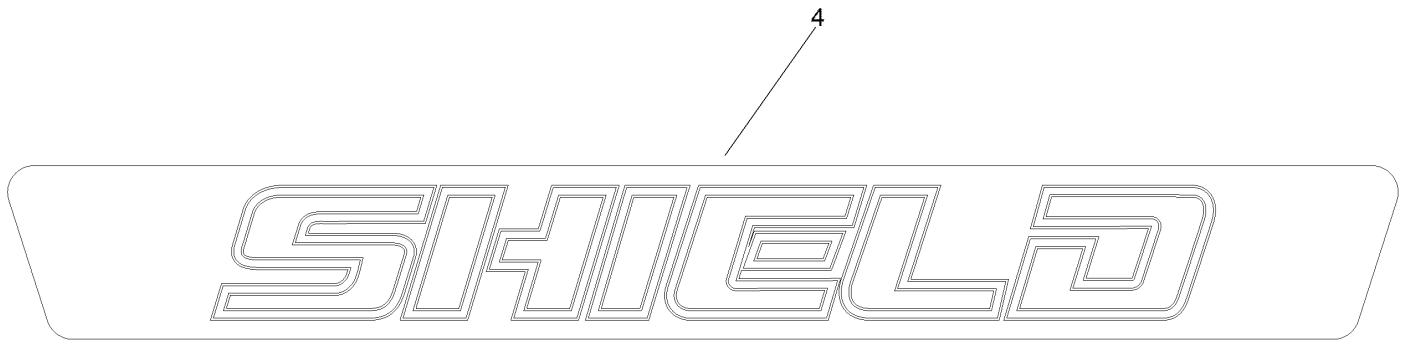


Deck Decal Assembly No. 161-6439 (continued)

<i>Ref.</i>	<i>Part Number</i>	<i>Qty.</i>	<i>Description</i>	<i>Ref.</i>	<i>Part Number</i>	<i>Qty.</i>	<i>Description</i>
1		1	Deck-54 ●	4	148-0439	1	Decal-Belt Routing 54In
2	130-0731	1	Decal-Danger	5	148-0438	1	Decal-Deck 54In
3	132-0872	2	Decal-Danger, Deck				

● Not serviced separately

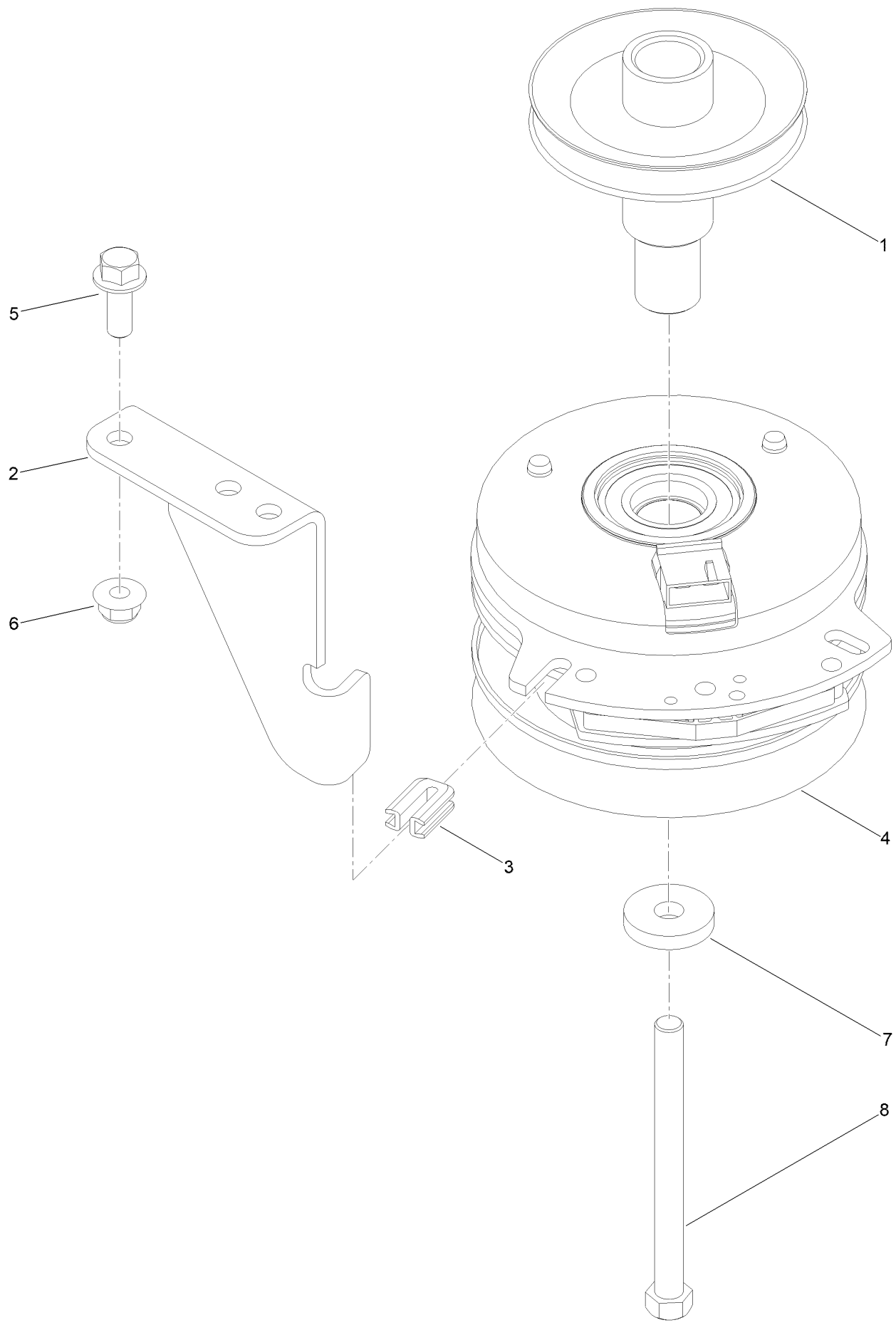
Decal Assembly



Decal Assembly (continued)

<i>Ref.</i>	<i>Part Number</i>	<i>Qty.</i>	<i>Description</i>
4	148-0021	1	Decal-Shield, Front

Clutch Assembly



Clutch Assembly (continued)

<i>Ref.</i>	<i>Part Number</i>	<i>Qty.</i>	<i>Description</i>	<i>Ref.</i>	<i>Part Number</i>	<i>Qty.</i>	<i>Description</i>
1	138-9792	1	Pulley-Engine	5	3234-42	1	Screw-HHF
2	137-7000	1	Stop-Clutch (Wide)	6	104-8301	1	Nut-HF, NI
3	120-2217	1	Isolator-Clutch	7	112843	1	Washer
4	127-3410	1	Clutch-PTO	8	3212-19	1	Screw-HH

Notes:

Notes:

