



RZ-XD HD 54in Mower

Model No. RSZL2154FX730—Serial No. 400000000 and Up

Parts Catalog



Ordering Replacement Parts

To order replacement parts, please supply the part number, the quantity, and the description of each part desired.

Understanding Reference Numbers

Each identified part in an illustration has a reference number. The reference number for a part also appears in the parts list, along with other information about the part.

This catalog uses two special reference number formats, one to indicate parts in a service assembly and another to indicate the quantity of a given part in an illustration.

Service Assembly Reference Numbers

Parts in service assemblies have reference numbers in the form a:b. The a represents the reference number of the entire service assembly and the b represents a sequential number unique to each part within the service assembly.

For example, a wheel assembly might be identified by reference number 6, the tire by 6:1, the valve by 6:2, and the wheel by 6:3. When you order the assembly identified by reference number 6, you receive all parts identified by reference numbers 6:1, 6:2, and 6:3. However, you may also order any part individually. Reference numbers of this type appear in illustration and in parts lists.

Reference Numbers Indicating Quantity

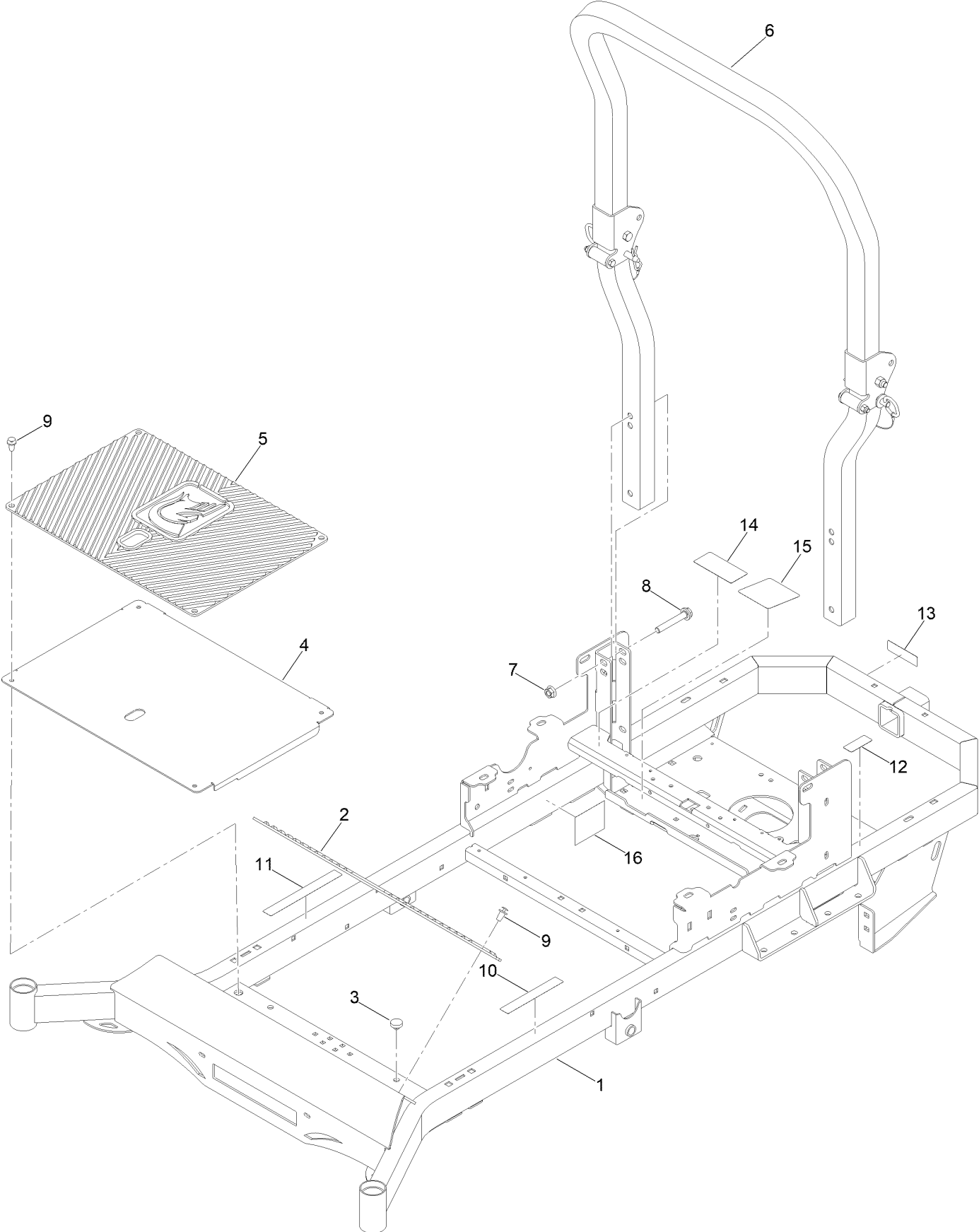
In an illustration, if a reference number indicates more than one part, the reference number has the form nX y. The n represents the quantity of the part, the X is the multiplication symbol, and the y represents the reference number.

For example, in an illustration, the reference number 2X 37 means that two of the parts identified by reference number 37 are indicated.

Contents

| | |
|---|----|
| Main Frame Assembly | 4 |
| Frame with Decals Assembly No. 148-0997 | 6 |
| Transmission Assembly | 8 |
| Body Styling Assembly | 10 |
| Fuel Tank Assembly | 12 |
| Seat Assembly | 14 |
| Motion Control and Parking Brake Assembly | 16 |
| Caster Tire Assembly | 18 |
| Drive Wheel Assembly | 20 |
| Electrical Assembly | 22 |
| Decklift Assembly | 24 |
| Engine Assembly | 26 |
| 54 Inch Cutting Deck Assembly | 28 |
| Deck Decal Assembly No. 148-0977 | 30 |
| Seat Suspension Assembly | 32 |

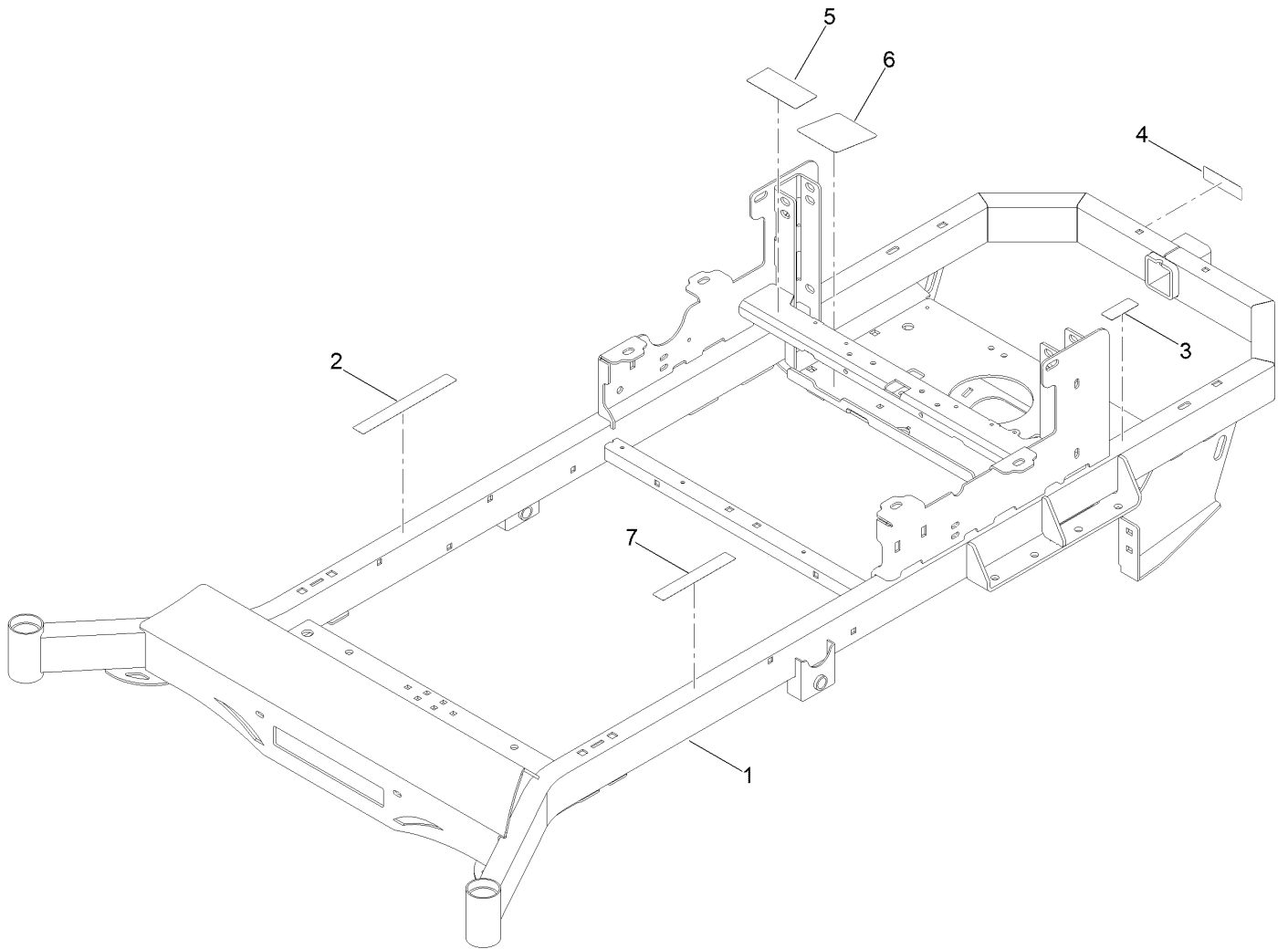
Main Frame Assembly



Main Frame Assembly (continued)

| <i>Ref.</i> | <i>Part Number</i> | <i>Qty.</i> | <i>Description</i> | <i>Ref.</i> | <i>Part Number</i> | <i>Qty.</i> | <i>Description</i> |
|-------------|--------------------|-------------|--|-------------|--------------------|-------------|---------------------------------------|
| 1 | 148-0970-P11 | 1 | Ztr Frame ASM | 9 | 414-0002-00 | 10 | 8MM Push Type Retainer Nylon Black |
| 1 | 148-0997 | 1 | Frame ASM-Decals | 10 | 148-1094 | 1 | Decal-Warning |
| 2 | 481-0005-00 | 1 | Mwr Rubber Foot Rest Mat | 11 | 148-1095 | 1 | Decal-Warning |
| 3 | 429-0002-00 | 2 | Push-In Rubber Bumper Mwr Floor | 12 | 127-0392 | 1 | Decal-Hot Surface |
| 4 | 439-0007-00-P11 | 1 | Mwr Floorboard Paint | 13 | 147-7364 | 1 | Decal-Hitch |
| 5 | 481-0006-00 | 1 | Mwr Logo Floor Mat | 14 | 126-4363 | 1 | Decal-Warning |
| 6 | 148-0233 | 1 | ROPS | 15 | 148-0466 | 1 | Decal-Pump Belt Routing-Parker |
| 7 | 413-0014-00 | 4 | 1/2-13 Hex Stover Locknut GR C Zinc | 16 | 148-1191 | 1 | Decal-Epa |
| 8 | 418-0019-00 | 4 | Bolt-HF | | | | |

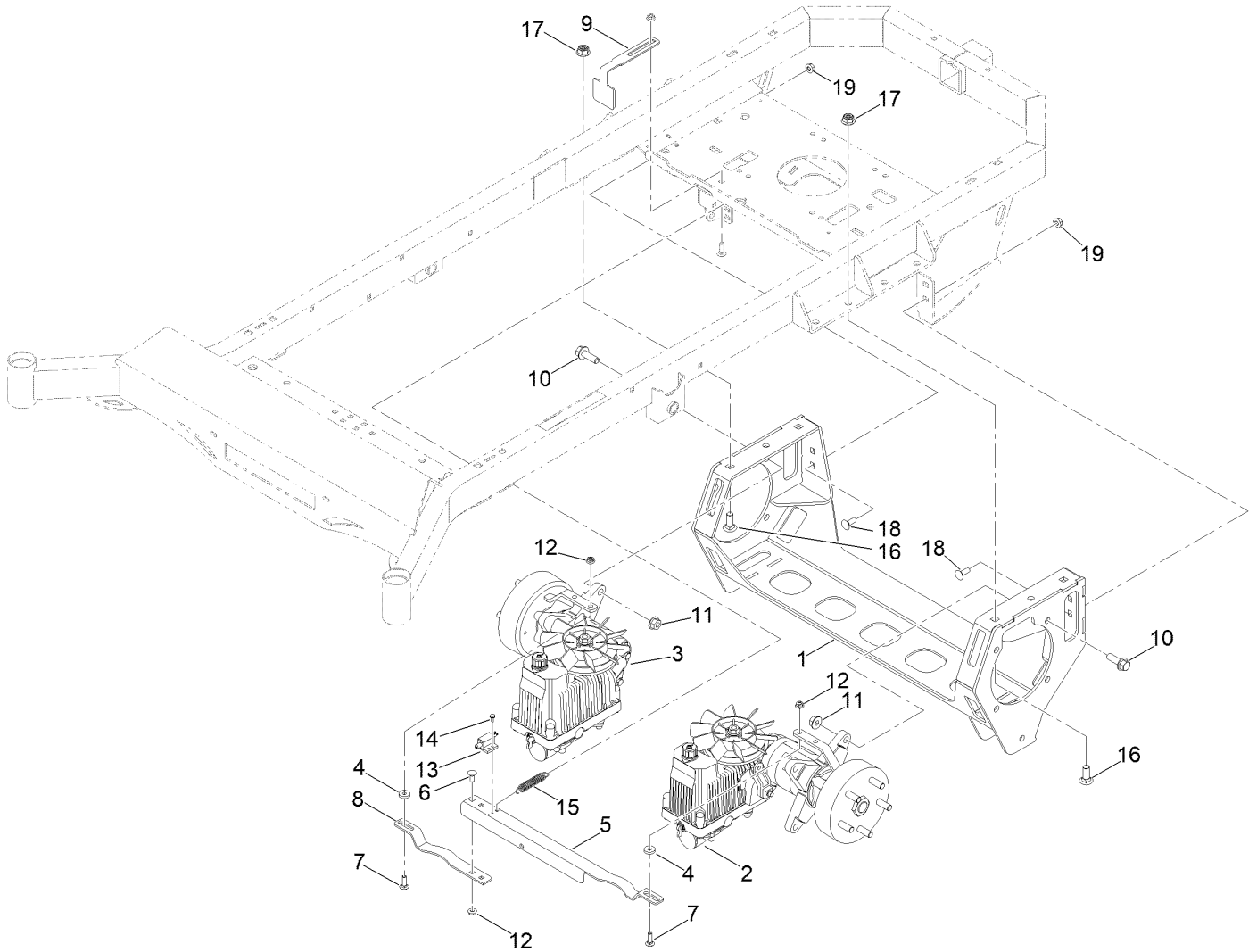
Frame with Decals Assembly No. 148-0997



Frame with Decals Assembly No. 148-0997 (continued)

| <i>Ref.</i> | <i>Part Number</i> | <i>Qty.</i> | <i>Description</i> | <i>Ref.</i> | <i>Part Number</i> | <i>Qty.</i> | <i>Description</i> |
|-------------|--------------------|-------------|--------------------|-------------|--------------------|-------------|-----------------------------------|
| 1 | 148-0970-P11 | 1 | Ztr Frame ASM | 5 | 126-4363 | 1 | Decal-Warning |
| 2 | 148-1095 | 1 | Decal-Warning | 6 | 148-0466 | 1 | Decal-Pump Belt Routing-Parker |
| 3 | 127-0392 | 1 | Decal-Hot Surface | 7 | 148-1094 | 1 | Decal-Warning |
| 4 | 147-7364 | 1 | Decal-Hitch | | | | |

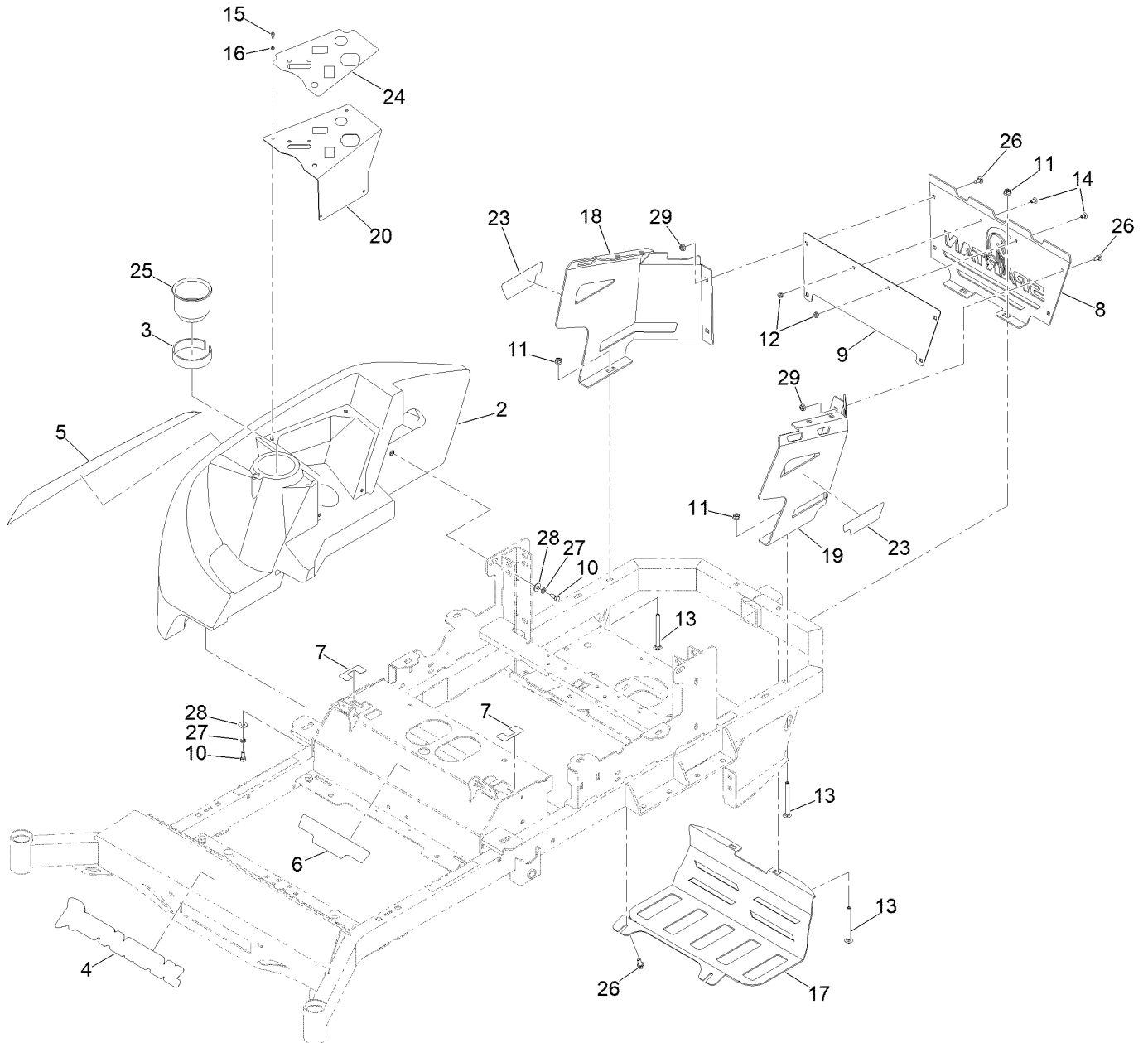
Transmission Assembly



Transmission Assembly (continued)

| <i>Ref.</i> | <i>Part Number</i> | <i>Qty.</i> | <i>Description</i> | <i>Ref.</i> | <i>Part Number</i> | <i>Qty.</i> | <i>Description</i> |
|-------------|--------------------|-------------|--|-------------|--------------------|-------------|---|
| 1 | 148-0985-P11 | 1 | Hydro Frame ASM | 10 | 100-6116 | 8 | Screw-HHF |
| 2 | 450-0009-00 | 1 | Hte10 Lt Side Hydrost Transm For Rz Hub | 11 | 32128-49 | 8 | Nut-HHF |
| 3 | 450-0010-00 | 1 | Hte10 Rt Side Hydrost Transm For Rz Hub | 12 | 413-0027-00 | 4 | Nut-HF, NI |
| 4 | 419-0006-00 | 2 | .312 ID X .875OD X .1875 THK F/W NYL | 13 | 486-0030-00 | 1 | No Plunger Limit Switch |
| 5 | 439-0607-00-P11 | 1 | Mwr Park Brake Brkt Lt Paint | 14 | 418-0032-00 | 2 | 8-32 X 1/2 Ind. HWH Slot Type F Tcs Zinc |
| 6 | 418-0008-00 | 2 | Bolt-CARR | 15 | 434-0003-00 | 1 | Mwr Brake Pedal Release Spring |
| 7 | 418-0010-00 | 2 | Bolt-CARR | 16 | 148-1262 | 4 | Screw-CARR,Patch |
| 8 | 439-0606-00-P11 | 1 | Mwr Park Brake Brkt Rt Paint | 17 | 413-1005-00 | 4 | 1/2-13 Hex Flange 2-Way Rev Cntr L/Nyz |
| 9 | 439-0066-00-P11 | 1 | Stand Trans Brake Interlock Brkt Paint | 18 | 418-0045-00 | 4 | 3/8-16 X 1 Carriage Bolt Yz GR.8 |
| | | | | 19 | 413-0029-00 | 4 | Nut-Hex |

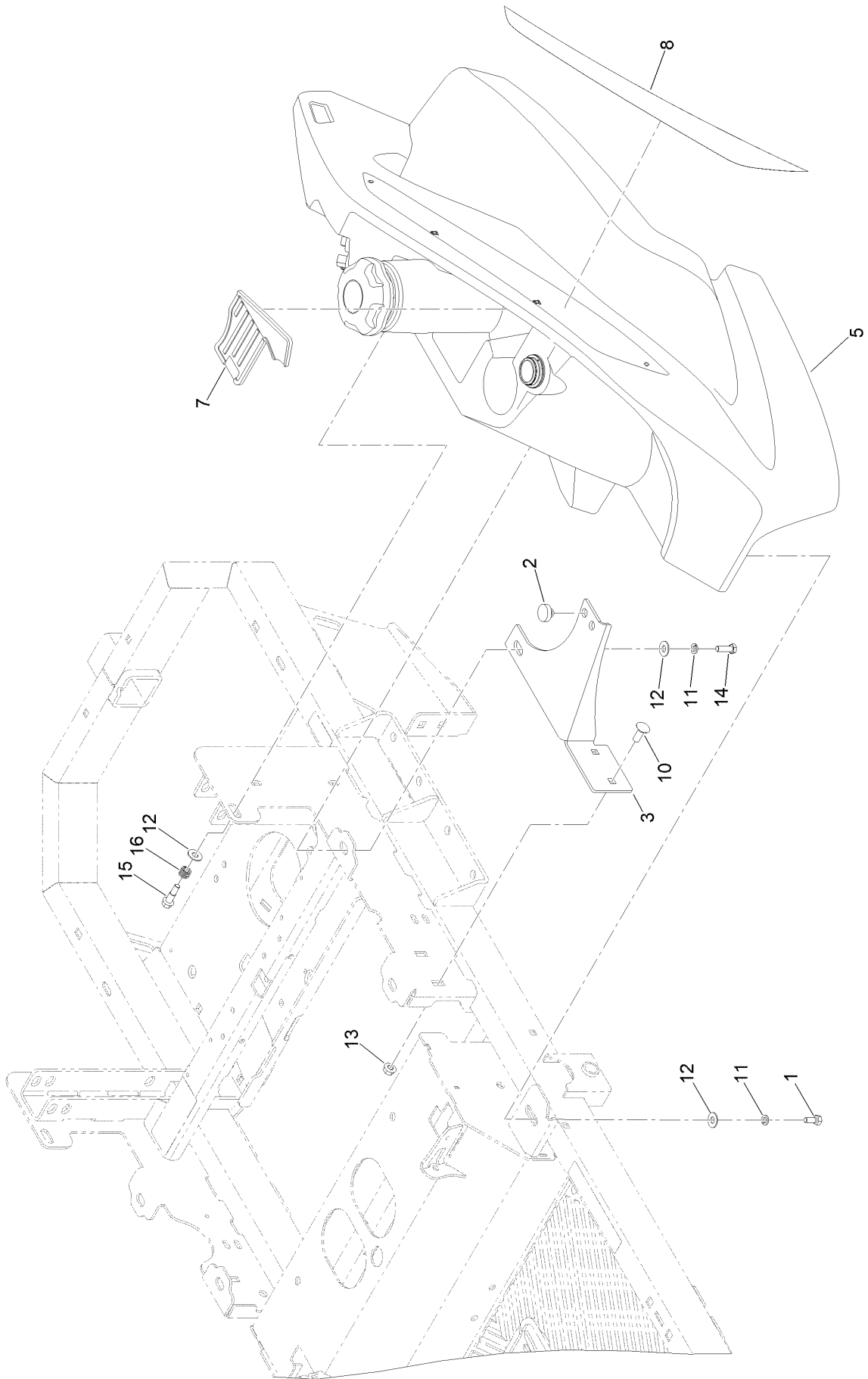
Body Styling Assembly



Body Styling Assembly (continued)

| <i>Ref.</i> | <i>Part Number</i> | <i>Qty.</i> | <i>Description</i> | <i>Ref.</i> | <i>Part Number</i> | <i>Qty.</i> | <i>Description</i> |
|-------------|--------------------|-------------|-------------------------------------|-------------|--------------------|-------------|-------------------------------------|
| 2 | 148-0307 | 1 | Console W/ Cupholder | 15 | 418-0055-00 | 4 | 10-24 X 1/2 Socket C/S 18-8 SS |
| 3 | 148-0770 | 1 | Tape-Foam | 16 | 419-0011-00 | 4 | #10 Split Lockwasher 18-8 SS |
| 4 | 148-0801 | 1 | Decal-Spartan, Front | 17 | 148-1172-P11 | 1 | Muffler Guard [gray] |
| 5 | 148-0845 | 1 | Decal-Tank | 18 | 439-0691-00-P11 | 1 | 2021 Rt/Srt Engn Cowling Rtpainted |
| 6 | 148-1161 | 1 | Decal-Gt Trac | 19 | 439-0692-00-P11 | 1 | 2021 Rt/Srt Engn Cowling Lt Painted |
| 7 | 148-1056 | 2 | Decal-Motion Control | 20 | 148-1042-05 | 1 | Rt 45 Key Mnt |
| 8 | 148-1067-P11 | 1 | Plate - Engine Cowling | 23 | 148-1160 | 2 | Decal-Model |
| 9 | 148-1068-P12 | 1 | Plate -Backer Plate | 24 | 148-1097 | 1 | Decal-Control Panel |
| 10 | 418-0054-00 | 4 | Screw-HH | 25 | 780-2220-00 | 1 | Cup Holder |
| 11 | 413-0013-00 | 4 | 3/8-16 Nylon Insert Flange L/Nut Yz | 26 | 418-0008-00 | 4 | Bolt-CARR |
| 12 | 413-0023-00 | 2 | 1/4-20 Hex Flange Nut W/Serr Zinc | 27 | 3253-4 | 4 | Washer-Lock |
| 13 | 418-0018-00 | 4 | 3/8-16 X 4 Carriage Bolt Zinc | 28 | 419-0007-00 | 4 | Washer-Flat |
| 14 | 418-0031-00 | 2 | 1/4-20 X 1/2 Carriage Bolt,Yz | 29 | 413-0022-00 | 4 | Nut-HF |

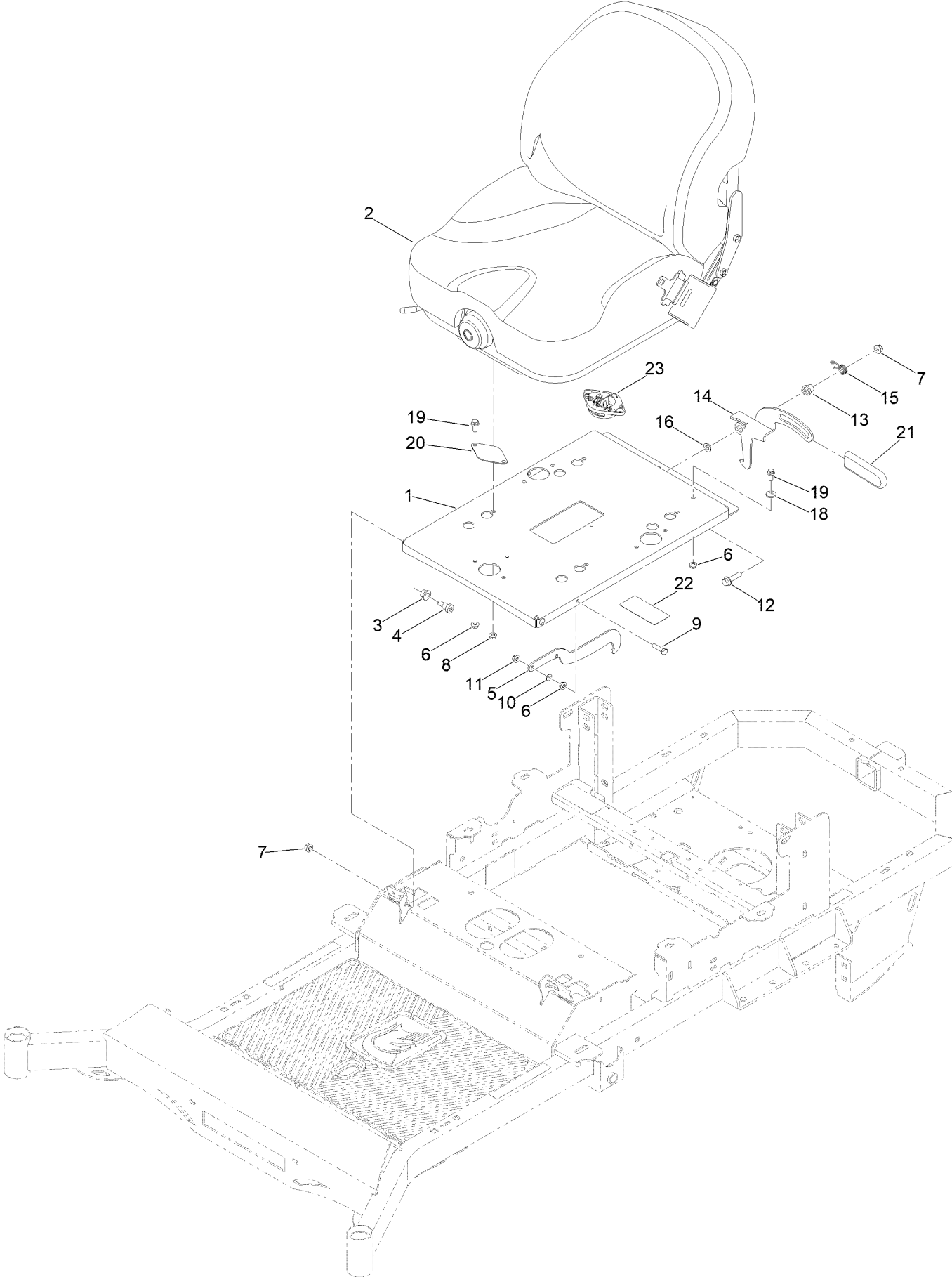
Fuel Tank Assembly



Fuel Tank Assembly (continued)

| <i>Ref.</i> | <i>Part Number</i> | <i>Qty.</i> | <i>Description</i> | <i>Ref.</i> | <i>Part Number</i> | <i>Qty.</i> | <i>Description</i> |
|-------------|--------------------|-------------|---|-------------|--------------------|-------------|---|
| 1 | 418-0054-00 | 2 | Screw-HH | 10 | 418-0045-00 | 2 | 3/8-16 X 1 Carriage Bolt Yz GR.8 |
| 2 | 429-0002-00 | 2 | Push-In Rubber Bumper Mwr Floor | 11 | 3253-4 | 3 | Washer-Lock |
| 3 | 148-0478-P11 | 1 | Bracket-Tank Support | 12 | 419-0007-00 | 4 | Washer-Flat |
| 5 | 467-0001-00 | 1 | Mwr Gasoline Fuel Tank Assy | 13 | 413-0020-00 | 2 | 3/8-16 Hex Flange Nut W/Serr Zinc Yellow |
| 7 | 481-0004-00 | 1 | Rubber Tank Storage Compartment Insert | 14 | 418-0108-00 | 1 | Screw-HH |
| 8 | 148-0844 | 1 | Decal-Tank | 15 | 418-0287-00 | 1 | Screw-Shoulder,HHF |
| | | | | 16 | 434-0020-00 | 1 | Spring-Compression |

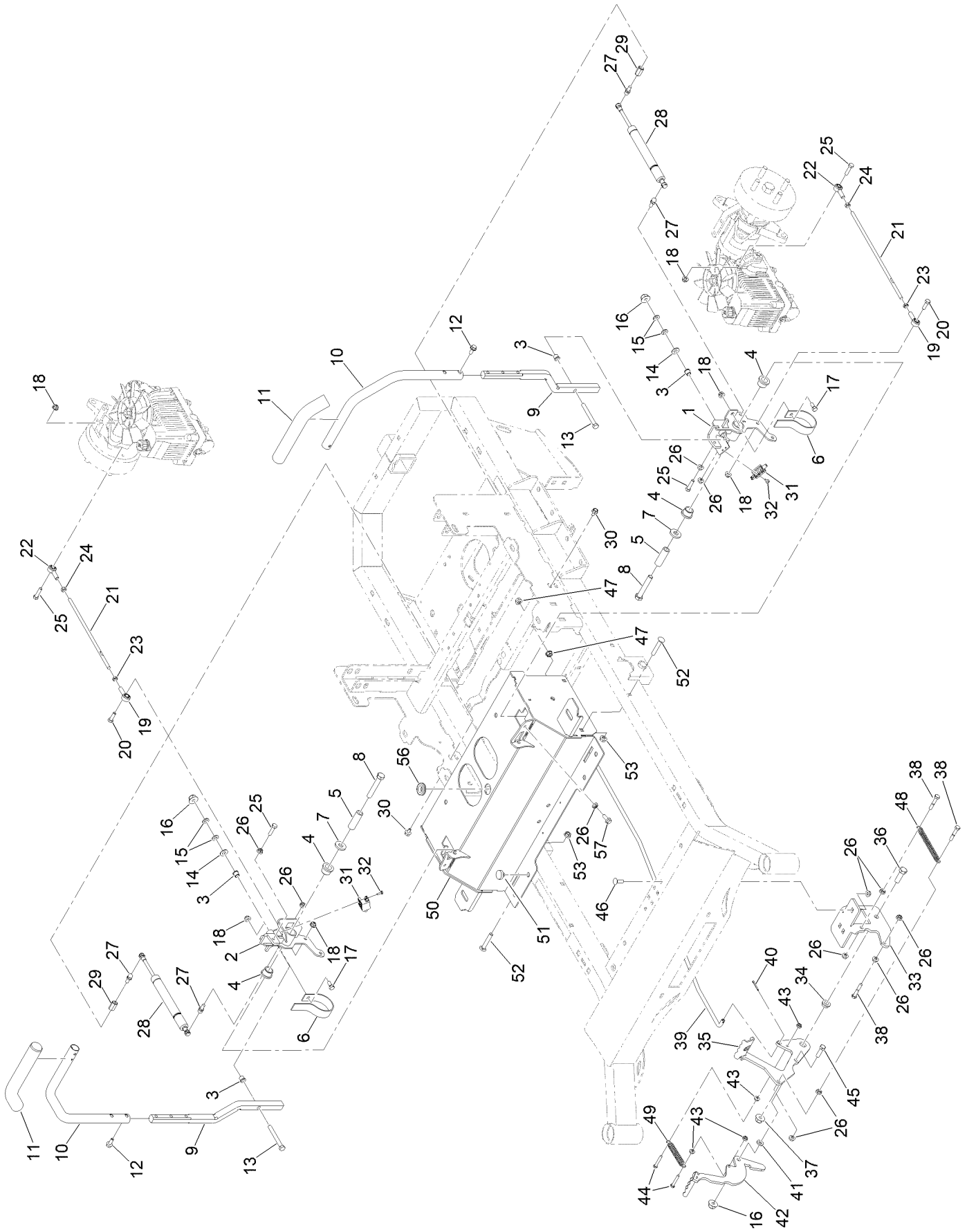
Seat Assembly



Seat Assembly (continued)

| <i>Ref.</i> | <i>Part Number</i> | <i>Qty.</i> | <i>Description</i> | <i>Ref.</i> | <i>Part Number</i> | <i>Qty.</i> | <i>Description</i> |
|-------------|--------------------|-------------|---|-------------|--------------------|-------------|---|
| 1 | 148-1047 | 1 | Non 360 Seat Base Plate Safty Decal ASM- | 11 | 413-0027-00 | 1 | Nut-HF, NI |
| 2 | 471-0015-00 | 1 | 2019 Full Susp Seat | 12 | 114-4681 | 1 | Screw-HHF |
| 3 | 410-0010-00 | 2 | 1/2In ID X 5/8In OD X 1/2In Flange Bush | 13 | 107-0075 | 1 | Bushing-Latch, Seat |
| 4 | 418-0038-00 | 2 | 1/2 X 1/2 Socket Shoulder Bolt Zc Yellow | 14 | 148-0953 | 1 | Bracket-Latch |
| 5 | 439-0065-00-P11 | 1 | Mwr Seat Latch Hook Paint | 15 | 126-8923 | 1 | Spring-Torsion, Latch |
| 6 | 413-0022-00 | 4 | Nut-HF | 16 | 3256-24 | 1 | Washer-Plain |
| 7 | 413-0029-00 | 3 | Nut-Hex | 18 | 419-0006-00 | 1 | .312 ID X .875OD X .1875 THK F/W NYL |
| 8 | 413-0019-00 | 4 | 5/16-18 Nylon Insert Flange L/Nut Zc | 19 | 116-7230 | 3 | Screw-HHF |
| 9 | 322-47 | 1 | Screw-HH | 20 | 426-0241-00-P11 | 1 | 2020 Rt/Srt Univ Float Seat Cvr PLT |
| 10 | 413-0016-00 | 1 | .312ldx.625Odx.062 THK Thrust Brg Oi Brz | 21 | 484-0002-00 | 1 | Stand Up Mwr Brake Arm Grip |
| | | | | 22 | 125-8473 | 1 | Decal-Warning, Battery |
| | | | | 23 | 486-0036-00 | 1 | Mwr Seat Switch |

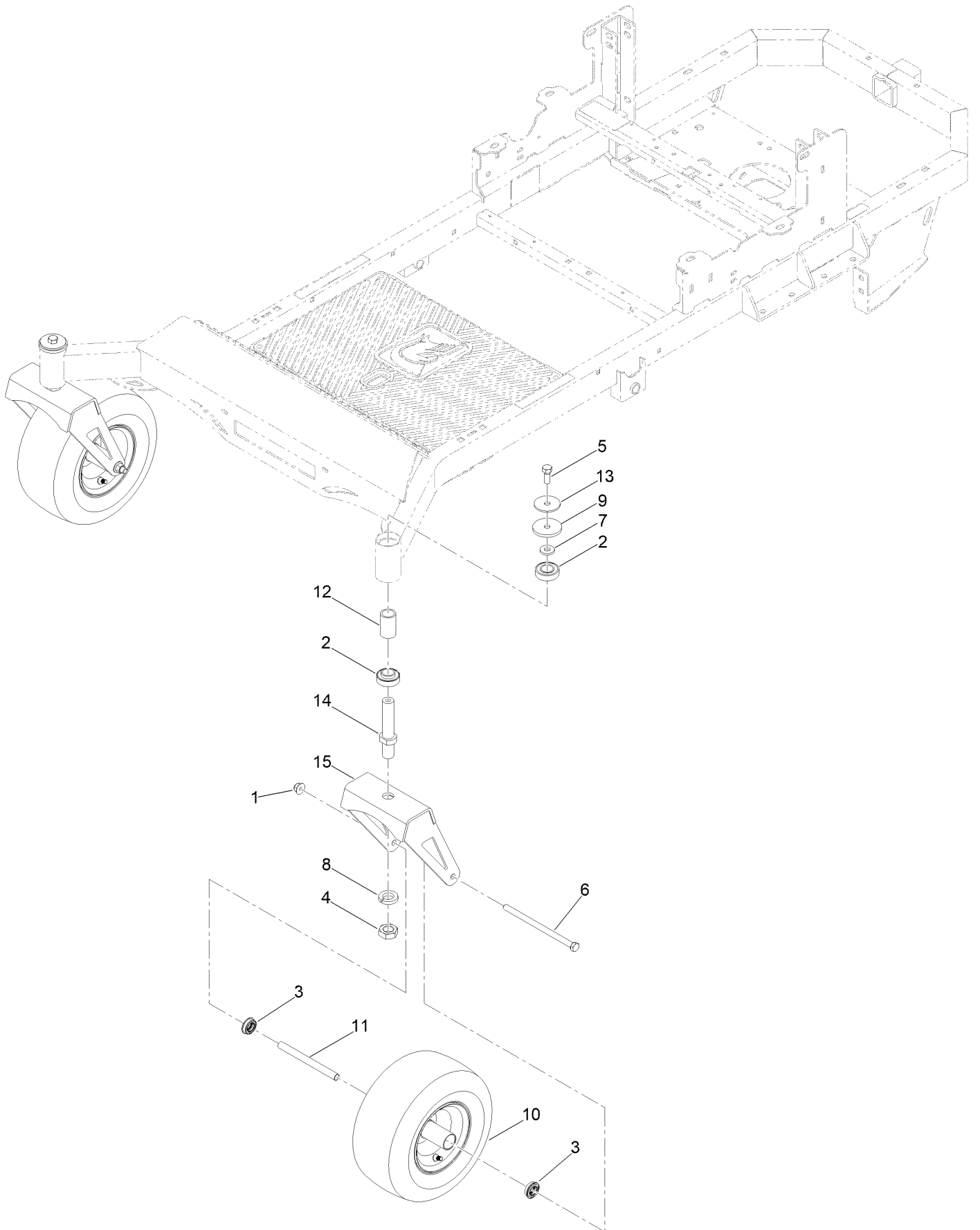
Motion Control and Parking Brake Assembly



Motion Control and Parking Brake Assembly (continued)

| <i>Ref.</i> | <i>Part Number</i> | <i>Qty.</i> | <i>Description</i> | <i>Ref.</i> | <i>Part Number</i> | <i>Qty.</i> | <i>Description</i> |
|-------------|--------------------|-------------|---|-------------|--------------------|-------------|---|
| 1 | 148-0888-05 | 1 | LH Pivot ASM | 31 | 486-0030-00 | 2 | No Plunger Limit Switch |
| 2 | 148-0889-05 | 1 | RH Pivot ASM | 32 | 418-0032-00 | 4 | 8-32 X 1/2 Ind. HWH Slot Type F Tcs Zinc |
| 3 | 148-0886 | 4 | Bushing-Flange | 33 | 439-0009-00-P11 | 1 | Mwr Frame Brake Mtg Brkt Paint |
| 4 | 148-0897 | 4 | Bushing-Flange | 34 | 410-0009-00 | 1 | 1/2In ID X 3/4In OD X 3/8In Flange Bush |
| 5 | 148-0885 | 2 | Sleeve-Pivot | 35 | 490-0016-00-P11 | 1 | Mwr Brake Lock Lever Assy Painted |
| 6 | 109-5575 | 2 | Spring-Leaf | 36 | 139-2631 | 1 | Screw-HH |
| 7 | 419-0003-00 | 2 | 1/2 Fender Washer 1-1/4In OD Zinc | 37 | 413-0002-00 | 1 | Nut-Lock |
| 8 | 418-0050-00 | 2 | 1/2-13 X 3 Hex C/S GR 5 Zinc W/LocTite | 38 | 418-0027-00 | 3 | Bolt-HH |
| 9 | 431-0001-00 | 2 | Height Adjustable Control Arm | 39 | 435-0004-00 | 1 | Mwr Brake Linkage |
| 10 | 403-0020-10-P11 | 2 | Mower Drive Handle Tube Abc | 40 | 3272-11 | 1 | Pin-Cotter |
| 11 | 484-0001-00 | 2 | Control Arm Handle Grip | 41 | 413-0052-00 | 1 | 3/8 ID X 3/4 OD X .125 THK Bronze Washer |
| 12 | 116-7230 | 4 | Screw-HHF | 42 | 490-0017-00-P11 | 1 | Mwr Brake Unlock Lever Assy Painted |
| 13 | 323-20 | 2 | Screw-HH | 43 | 413-0012-00 | 4 | 1/4-20 Hex Flange Nut |
| 14 | 419-0007-00 | 2 | Washer-Flat | 44 | 418-0029-00 | 2 | 1/4-20 X 1-1/4 Hex C/S GR 2 Zinc |
| 15 | 148-1012 | 4 | Washer-Belleville | 45 | 323-7 | 1 | Screw-HH |
| 16 | 413-0013-00 | 3 | 3/8-16 Nylon Insert Flange L/Nut Yz | 46 | 418-0010-00 | 3 | Bolt-CARR |
| 17 | 418-0054-00 | 2 | Screw-HH | 47 | 413-0020-00 | 2 | 3/8-16 Hex Flange Nut W/Serr Zinc Yellow |
| 18 | 413-0027-00 | 6 | Nut-HF, NI | 48 | 434-0015-00 | 1 | 2020 Mwr Brake Pedal Tension Spring |
| 19 | 410-0070-00 | 2 | 5/16-24 Spher Rod End Zinc LH Thd Fem | 49 | 434-0003-00 | 1 | Mwr Brake Pedal Release Spring |
| 20 | AU426-516 | 2 | Screw-HH | 50 | 148-0911-P11 | 1 | ASM, Gt-Trac [gray] |
| 21 | 435-0033-00 | 2 | 1310 Ttq Drive Arm Rod | 51 | 429-0002-00 | 2 | Push-In Rubber Bumper Mwr Floor |
| 22 | 410-0071-00 | 2 | 5/16-24 Spher Rod End Zinc RH Thd Fem | 52 | 618-2023-00 | 4 | Screw-CARR |
| 23 | 3220-20 | 2 | Nut-Jam | 53 | 413-0029-00 | 4 | Nut-Hex |
| 24 | 09207 | 2 | Nut | 56 | 240-6 | 1 | Grommet-Rubber |
| 25 | 322-47 | 4 | Screw-HH | 57 | 418-0048-00 | 2 | 5/16-18 X 3/4 Hex Flange Bolt GR 8 Yz |
| 26 | 413-0022-00 | 15 | Nut-HF | | | | |
| 27 | 487-0005-00 | 4 | 5/16-18X1.286 Damper Ball Stud (.562 TI) | | | | |
| 28 | 487-0001-00 | 2 | Control Arm Damper | | | | |
| 29 | 613-0065-00 | 2 | Standoff-Hex | | | | |
| 30 | 3234-28 | 2 | Screw-HHF | | | | |

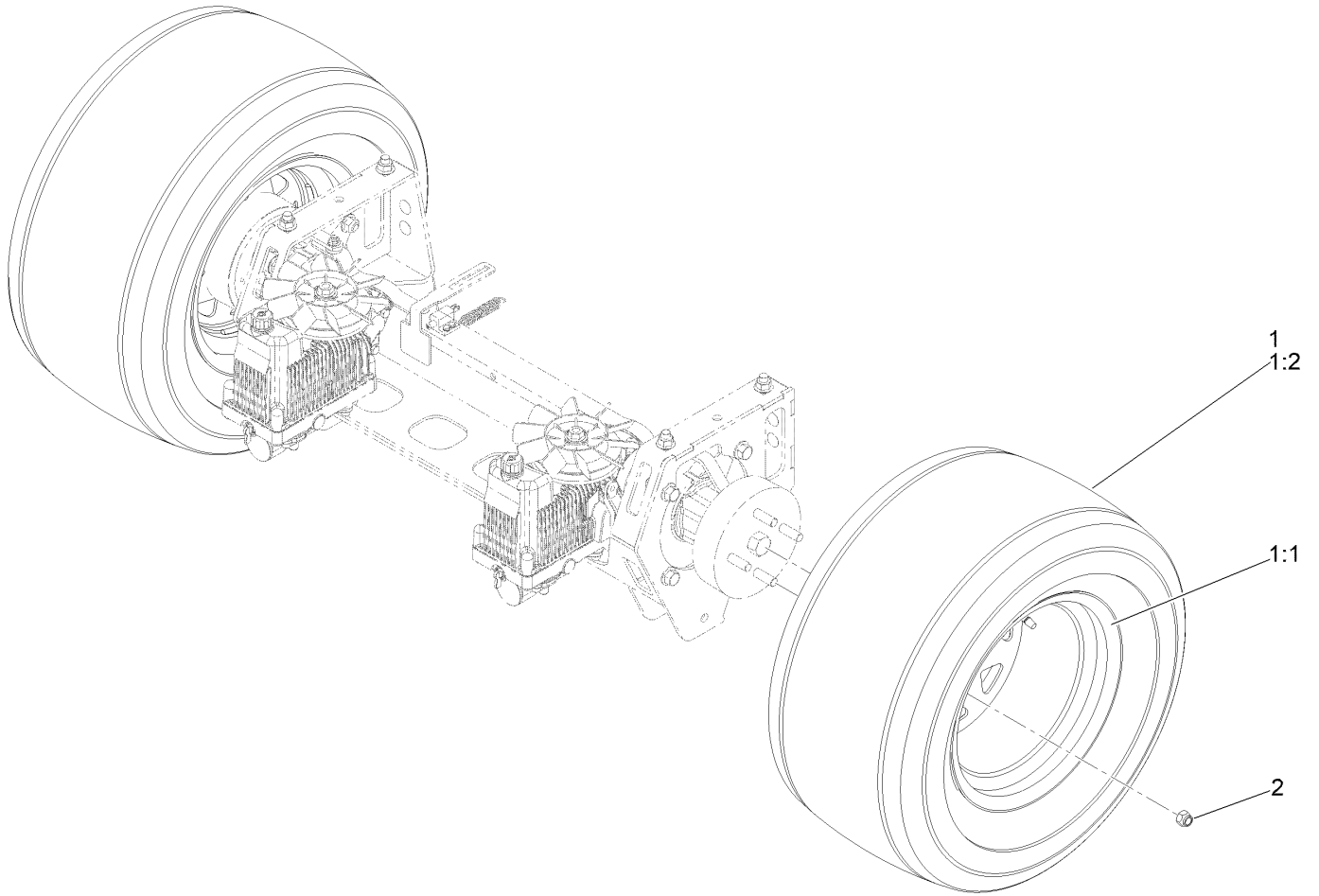
Caster Tire Assembly



Caster Tire Assembly (continued)

| <i>Ref.</i> | <i>Part Number</i> | <i>Qty.</i> | <i>Description</i> | <i>Ref.</i> | <i>Part Number</i> | <i>Qty.</i> | <i>Description</i> |
|-------------|--------------------|-------------|---|-------------|--------------------|-------------|--|
| 1 | 413-0002-00 | 2 | Nut-Lock | 9 | 419-0025-00 | 2 | Ft Hub Plastic Washer |
| 2 | 103-3540 | 4 | Bearing-Ball | 10 | 422-0027-00 | 2 | Rz/Rt Pro Ft Tire Assy-Smooth Tread |
| 3 | 410-0018-00 | 4 | Rz Ft Wheel Bearing | 11 | 425-0010-00 | 2 | Mwr Ft Wheel Spanner |
| 4 | 413-0063-00 | 2 | Nut-Hex | 12 | 425-0011-00 | 2 | Caster Fork Shaft Bearing Spacer |
| 5 | 418-0002-00 | 2 | 1/2-20 X 1-1/4 Hex Flange Bolt GR 8 Yz | 13 | 426-0006-00-P11 | 2 | Mwr Caster Shaft Washer |
| 6 | 325-24 | 2 | Screw-HH | 14 | 437-0019-00 | 2 | Mwr Caster Shaft |
| 7 | 419-0003-00 | 2 | 1/2 Fender Washer 1-1/4In OD Zinc | 15 | 490-0046-00-P11 | 2 | Rz Caster Fork ASM |
| 8 | 419-0024-00 | 2 | 1In L/W Med Split Zc | | | | |

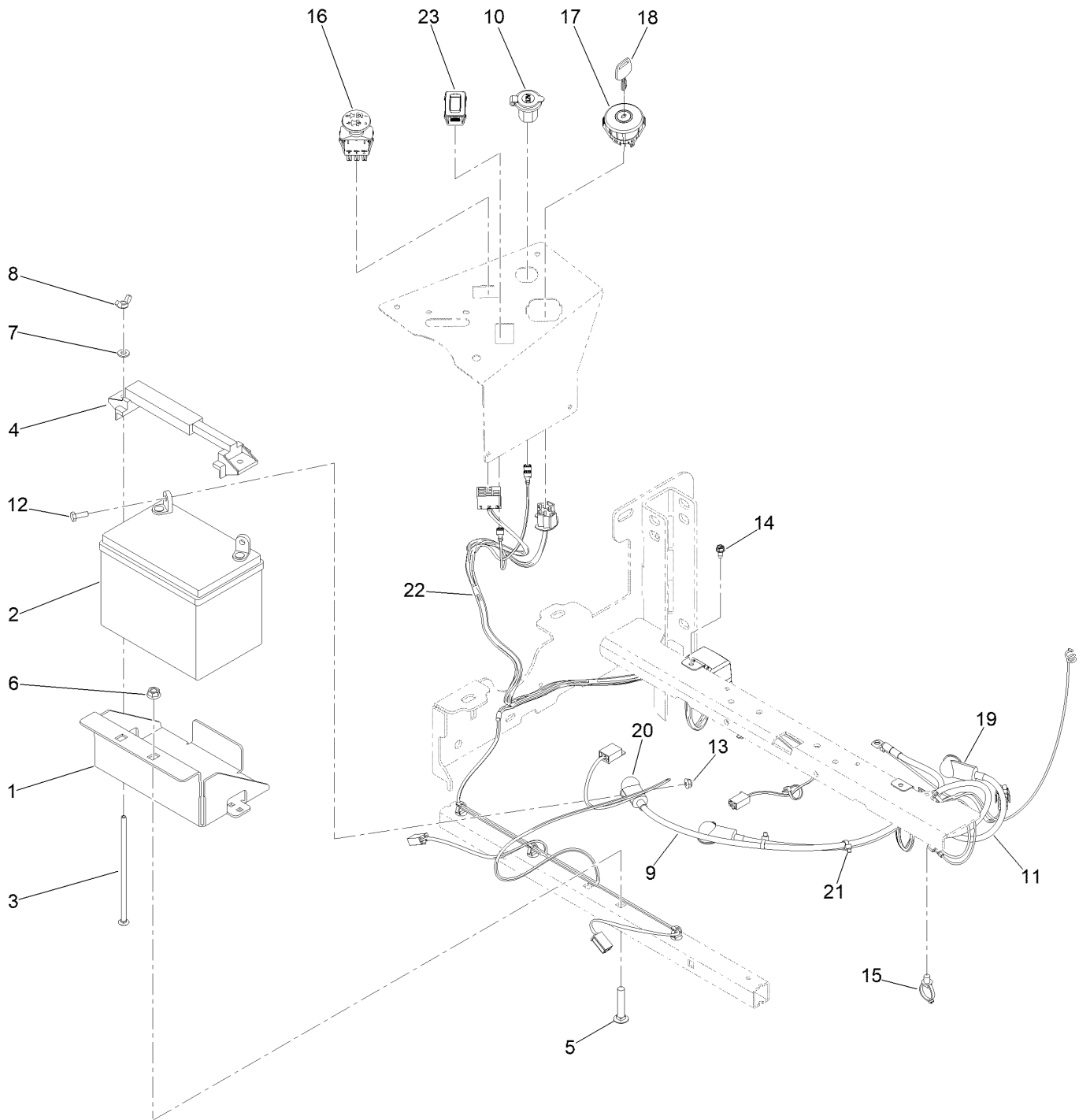
Drive Wheel Assembly



Drive Wheel Assembly (continued)

| <i>Ref.</i> | <i>Part Number</i> | <i>Qty.</i> | <i>Description</i> | <i>Ref.</i> | <i>Part Number</i> | <i>Qty.</i> | <i>Description</i> |
|-------------|--------------------|-------------|--------------------|-------------|--------------------|-------------|--------------------|
| 1 | 148-1009 | 2 | Tire-ASM | 1:2 | 148-1011 | 1 | Tire |
| 1:1 | 148-1010 | 1 | Wheel | 2 | 413-0015-00 | 8 | 1/2-20 Lugnut |

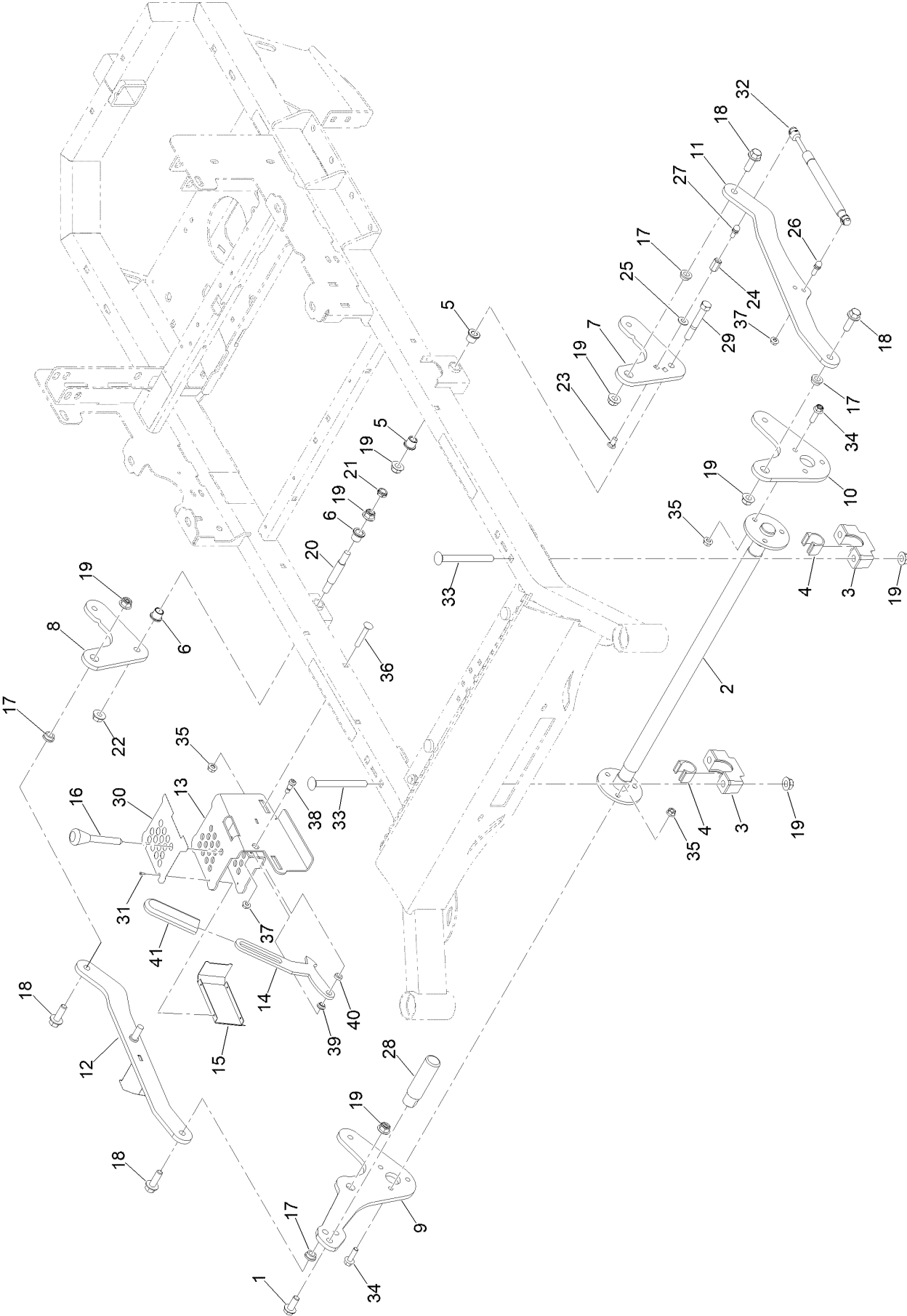
Electrical Assembly



Electrical Assembly (continued)

| <i>Ref.</i> | <i>Part Number</i> | <i>Qty.</i> | <i>Description</i> | <i>Ref.</i> | <i>Part Number</i> | <i>Qty.</i> | <i>Description</i> |
|-------------|--------------------|-------------|---|-------------|--------------------|-------------|--|
| 1 | 439-0008-00-P11 | 1 | Mwr Battery Box | 12 | 321-4 | 2 | Screw-HH |
| 2 | 468-1004-00 | 1 | 12 Volt Start Battery 300CCA | 13 | 104-7201 | 2 | Nut-HF, NI |
| 3 | 418-0034-00 | 2 | 1/4-20 X 7 Carriage Bolt Zinc | 14 | 120-9551 | 2 | Screw-HWH |
| 4 | 443-0001-00 | 1 | Battery Hold Down | 15 | 32180-030 | 1 | Clip-Tie |
| 5 | 3231-6 | 2 | Screw-CARR | 16 | 486-0060-00 | 1 | PTO Switch |
| 6 | 413-0020-00 | 2 | 3/8-16 Hex Flange Nut W/Serr Zinc Yellow | 17 | 486-0062-00 | 1 | Ignition Switch |
| 7 | 515-0038 | 2 | Washer-Flat | 18 | 486-0065-00 | 1 | 2023 Mwr Key |
| 8 | 1-803038 | 2 | Wingnut | 19 | 436-0002-00 | 1 | 3.15 Lgth Straight Insul Term Cover Red |
| 9 | 486-0017-00 | 1 | Mwr Negative Cable 28 | 20 | 436-0003-00 | 1 | Straight Insulating Terminal Cover |
| 10 | 677-2075-00 | 1 | 12 Volt Auxilliary Plug | 21 | 3290-379 | 5 | Tie-Cable |
| 11 | 486-0016-00 | 1 | Mwr Positive Battery Cable 25In | 22 | 148-1014 | 1 | Harness-Wire |
| | | | | 23 | 148-1063 | 1 | Hour Meter |

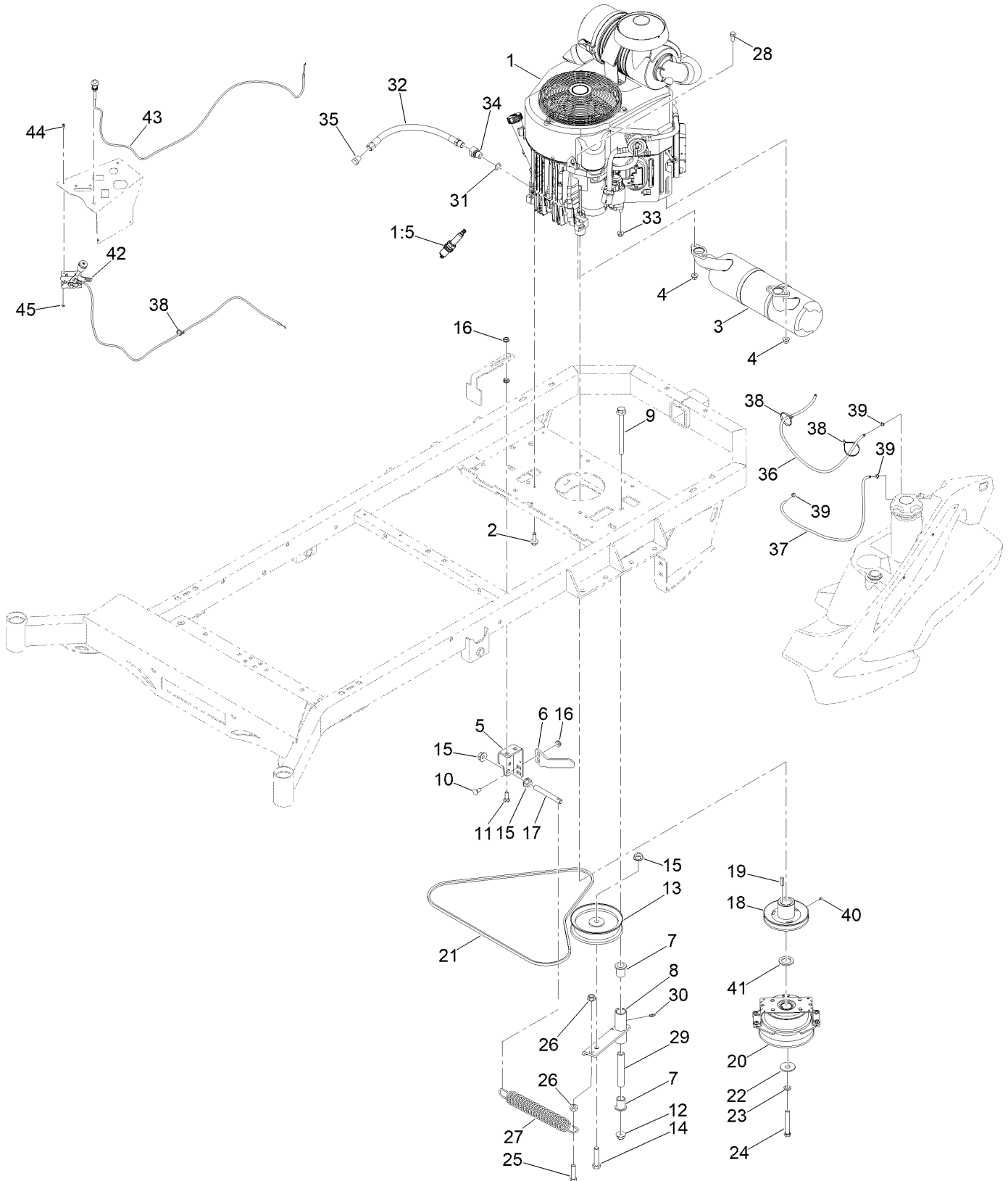
Decklift Assembly



Decklift Assembly (continued)

| <i>Ref.</i> | <i>Part Number</i> | <i>Qty.</i> | <i>Description</i> | <i>Ref.</i> | <i>Part Number</i> | <i>Qty.</i> | <i>Description</i> |
|-------------|--------------------|-------------|---|-------------|--------------------|-------------|--|
| 1 | 148-0095 | 1 | 1/2-13X1.25In Hex Flange Bolt (GR.8) Yz | 22 | 32128-49 | 1 | Nut-HHF |
| 2 | 148-1074 | 1 | Decklift ASM-Front | 23 | 618-2068-00 | 1 | 3/8 X 3/4In GR 8 CARR Bolt Zinc |
| 3 | 148-1085 | 2 | Support-Bearing Housing | 24 | 148-0422 | 1 | Hex Coupling Nut - Reducer (3/8" To 5/16 |
| 4 | 109-9410 | 2 | Bearing-Cross Shaft, Front | 25 | 419-0007-00 | 1 | Washer-Flat |
| 5 | 135-5694 | 2 | Bushing-Flange | 26 | 487-0008-00 | 1 | 5/16-18X1.286 Damper Ball Stud (.562 TI) |
| 6 | 135-9063 | 2 | Bushing-Flange | 27 | 487-0005-00 | 1 | 5/16-18X1.286 Damper Ball Stud (.562 TI) |
| 7 | 148-1003-P11 | 1 | (Rz Rear HOC Hanger) | 28 | 148-0951 | 1 | Pedal |
| 8 | 148-0418-P11 | 1 | Arm-Decklift Rear (3/8") | 29 | 418-0042-00 | 1 | 1/2-13 X 3-1/2 Hex C/S GR 5 Zinc Yellow |
| 9 | 148-0950-P11 | 1 | Lever-Lift | 30 | 148-1036 | 1 | Decal-Height Of Cut |
| 10 | 148-1075-P11 | 1 | Plate-Decklift, Arm LH [gray] | 31 | 923786 | 4 | Rivet |
| 11 | 148-0940-P11 | 1 | Link-HOC(Left Side) | 32 | 434-0008-00 | 1 | Rz Deck Assist Gas Spring |
| 12 | 148-0941-P11 | 1 | Link ASM-HOC(Right Side Welded) | 33 | 148-1080 | 4 | Screw-CARR |
| 13 | 148-0946-P11 | 1 | Bracket-HOC ASM [gray] | 34 | 148-1087 | 6 | Screw-HHF |
| 14 | 148-0943 | 1 | Plate-Transport Lock | 35 | 413-0029-00 | 8 | Nut-Hex |
| 15 | 148-0949-P11 | 1 | Cover-HOC | 36 | 618-2023-00 | 2 | Screw-CARR |
| 16 | 420-0009-00 | 1 | Magnetic Pin For Stand On Mwr | 37 | 413-0022-00 | 2 | Nut-HF |
| 17 | 410-0009-00 | 4 | 1/2In ID X 3/4In OD X 3/8In Flange Bush | 38 | 418-0083-00 | 1 | 3/8 X 1/2 Socket Shoulder Bolt Yz |
| 18 | 100-6116 | 4 | Screw-HHF | 39 | 148-1211 | 1 | Bushing-Flange |
| 19 | 413-1005-00 | 10 | 1/2-13 Hex Flange 2-Way Rev Cntr L/Nyz | 40 | 148-1212 | 1 | Washer-Plain |
| 20 | 418-0276-00 | 1 | Rr Deck Height Bolt (Machined) | 41 | 484-0002-00 | 1 | Stand Up Mwr Brake Arm Grip |
| 21 | 3296-45 | 1 | Nut-Hex | | | | |

Engine Assembly



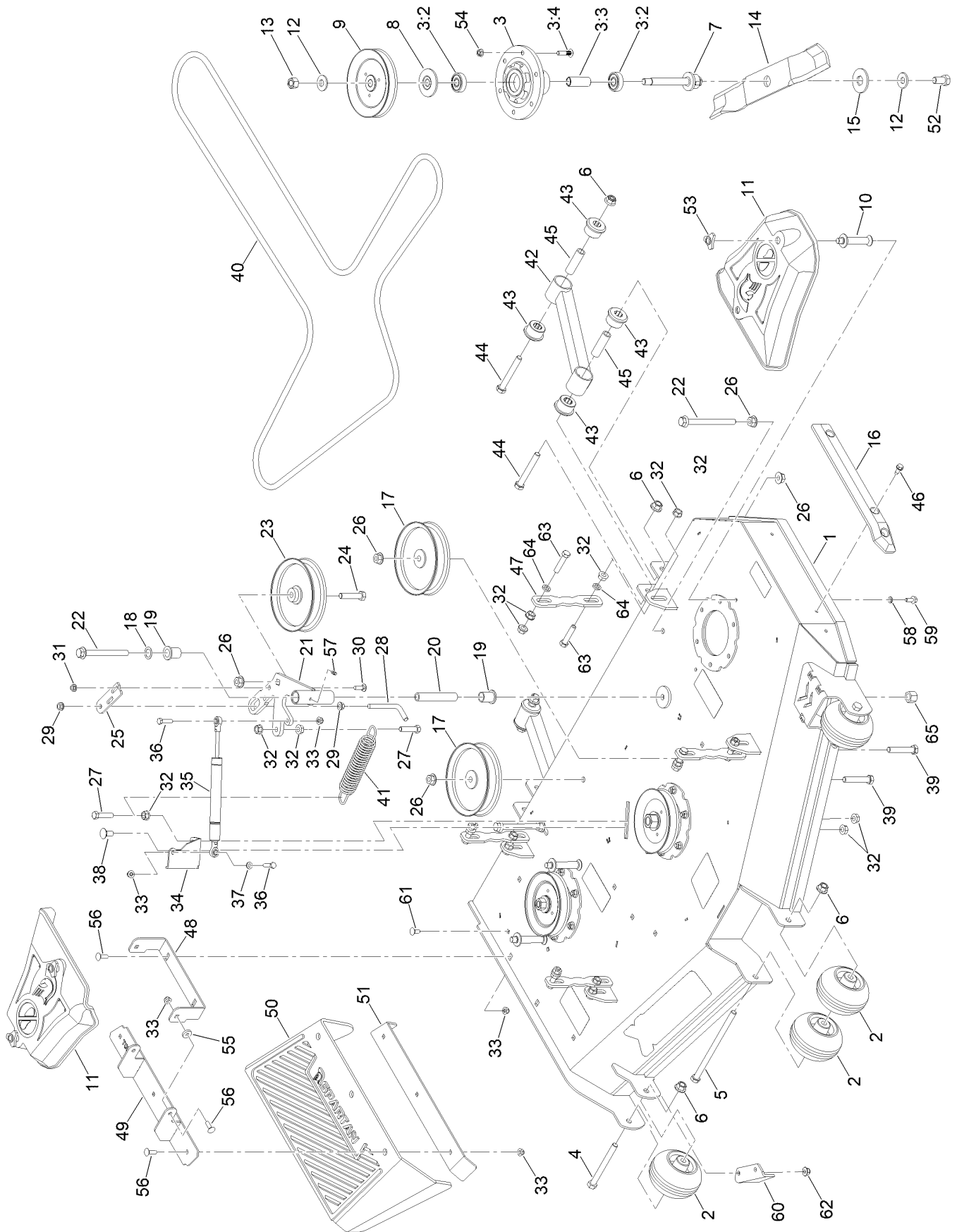
Engine Assembly (continued)

| <i>Ref.</i> | <i>Part Number</i> | <i>Qty.</i> | <i>Description</i> | <i>Ref.</i> | <i>Part Number</i> | <i>Qty.</i> | <i>Description</i> |
|-------------|--------------------|-------------|---|-------------|--------------------|-------------|---|
| 1 | 144-3720 | 1 | Engine-Kawasaki, Fx730V | 21 | 461-0004-00 | 1 | Mwr Pump Belt Rt A X 68.25In Eff Lngth |
| 1:1 | | 1 | Filter-Oil ●■▲ | 22 | 419-0001-00 | 1 | 1/2In X 1-5/8 Belleville Cup Washer Yz |
| 1:2 | | 1 | Filter-Fuel ●■▲ | 23 | 3253-6 | 1 | Washer-Lock |
| 1:3 | | 1 | Element-Filter, Air (Inner) ● ■▲ | 24 | 418-0223-00 | 1 | Ttq Clutch Bolt |
| 1:4 | | 1 | Element-Filter, Air (Outer) ● ■▲ | 25 | 418-0013-00 | 1 | Bolt-HH |
| 1:5 | 92-2153 | 2 | Plug-Spark | 26 | 32128-37 | 2 | Nut-HF |
| 2 | 418-0023-00 | 4 | 3/8-16 X 1-1/8 Ind HWH W/Serr Tri Lob Zy | 27 | 434-0007-00 | 1 | Mwr Deck Spring |
| 3 | 415-0074-00 | 1 | 2019 Exhaust Syst For Kawi Fr Fs And Ft | 28 | 418-0278-00 | 1 | M8-1.25 X 20MM Hex Flange Bolt Zinc 10.9 |
| 4 | 104-2612 | 4 | Nut-HF | 29 | 425-0006-00 | 1 | Mwr Inner Idler Spacer |
| 5 | 439-0244-00-05 | 1 | Mwr Pump Idler Tensioning Brkt Black | 30 | 424-0002-00 | 1 | 1/4In Drive Type Grease Fitting Yz |
| 6 | 439-0493-00-05 | 1 | 2021 Ttq Mower Ogura Clutch Bracket | 31 | 139-8387 | 1 | Ring-O,15.8X2.4 |
| 7 | 410-0007-00 | 2 | 3/4In ID X15/16In OD X 1-1/8In Flng Bush | 32 | 117-1261 | 1 | Hose-Drain, Oil |
| 8 | 490-0018-00-05 | 1 | Mwr Pump Idler Assy Black | 33 | 112-2844 | 1 | Nut-HF |
| 9 | 418-0009-00 | 1 | 1/2-13 X 5-1/2 Hex Flange Bolt GR 8 Zy | 34 | 148-1263 | 1 | 3/8" FNPT To M20X2.5 Adapter 59071-7023 |
| 10 | 418-0008-00 | 2 | Bolt-CARR | 35 | 148-1266 | 1 | 3/8 MNPT Oil Plug |
| 11 | 418-0062-00 | 2 | 5/16-18 X 1-1/4 Carriage Bolt Zc/Yel | 36 | 451-0002-00 | 10 | Mwr Fuel Tank Black 3/16In Vent Tube 1Ft |
| 12 | 413-0002-00 | 1 | Nut-Lock | 36 | 451-0002-00RT06 | 1 | Mwr Fuel Tank Blk 3/16 Vent Tube |
| 13 | 433-0013-00 | 1 | 5-3/4In Idler Pulley 7/16In Spacer Assy | 37 | 751-1014-00 | 10 | 1/4In SAE J30R7 Bulk Hose 1Ft |
| 14 | 325-9 | 1 | Screw-HH | 38 | 3290-379 | 4 | Tie-Cable |
| 15 | 32128-49 | 3 | Nut-HHF | 39 | 472-0004-00 | 3 | 1/2In (#8) Hose Clamp |
| 16 | 413-0022-00 | 6 | Nut-HF | 40 | 418-0280-00 | 1 | 5/16-18 X 3/8 Socket Set Screw |
| 17 | 430-0001-00 | 1 | Mwr Pump Idler Spring Tensioner | 41 | 3-6781 | 1 | Washer-Flat |
| 18 | 433-0001-00 | 1 | Mwr Hydraulic Pump Drive Pulley (A Belt) | 42 | 464-0001-00 | 1 | Mwr Throttle Cable Assy W / Handle |
| 19 | 1-807259 | 1 | Key | 43 | 464-0002-00 | 1 | Mwr Choke Cable Assm |
| 20 | 470-0004-00 | 1 | Mwr Ttq Ogura Clutch | 44 | 418-0055-00 | 2 | 10-24 X 1/2 Socket C/S 18-8 SS |
| | | | | 45 | 110-3145 | 2 | Nut-Lock |

● Not illustrated
▲ Obtain parts from www.kawpower.com

■ Not serviced separately

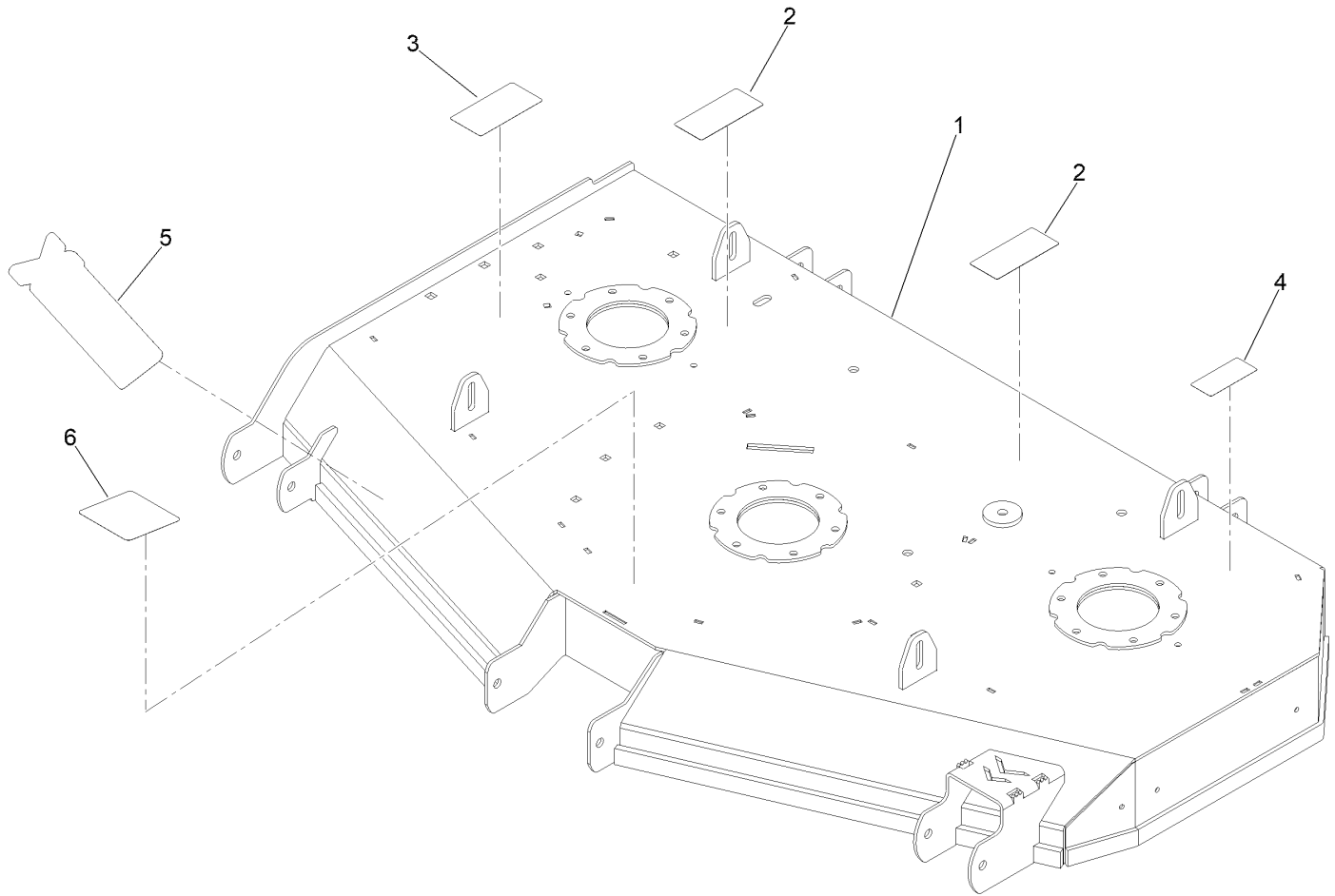
54 Inch Cutting Deck Assembly



54 Inch Cutting Deck Assembly (continued)

| <i>Ref.</i> | <i>Part Number</i> | <i>Qty.</i> | <i>Description</i> | <i>Ref.</i> | <i>Part Number</i> | <i>Qty.</i> | <i>Description</i> |
|-------------|--------------------|-------------|--|-------------|--------------------|-------------|--|
| 1 | 148-0977 | 1 | 54 Inch Deck ASM W/Decals | 32 | 32128-37 | 21 | Nut-HF |
| 2 | 422-0061-00 | 4 | Mwr Anti-Scalp Whl W/O Grease Fitting | 33 | 413-0027-00 | 9 | Nut-HF, NI |
| 3 | 148-0002 | 3 | Spindle ASM 5In Deck | 34 | 439-0335-00-P11 | 1 | Deck Belt Idler Damper Mtg Brkt Painted |
| 3:2 | 116-4004 | 2 | Bearing | 35 | 434-0009-00 | 1 | Idler Gas Spring |
| 3:3 | 148-0025 | 1 | Spacer, Bearing | 36 | 322-47 | 2 | Screw-HH |
| 3:4 | 116-3473 | 6 | Bolt-Round Head | 37 | 413-0016-00 | 1 | .312Idx.625Odx.062 THK Thrust Brg Oi Brz |
| 4 | 418-0016-00 | 2 | Screw-HH | 38 | 3232-1 | 1 | Screw-CARR |
| 5 | 418-0015-00 | 1 | 1/2-13 X 8-1/2 Hex C/S GR 2 Zinc Yellow | 39 | 418-0246-00 | 2 | 1/2-13 X 2-3/4 Hex Flange Bolt (GR.8) Yz |
| 6 | 413-0002-00 | 7 | Nut-Lock | 40 | 461-0001-00 | 1 | 54 Deck Belt |
| 7 | 148-0105 | 3 | Shaft - Spindle | 41 | 434-0007-00 | 1 | Mwr Deck Spring |
| 8 | 148-0102 | 3 | Guard-Bearing Top 0.673In | 42 | 490-0047-00-05 | 2 | Rz Mwr Deck Stablzr Assy |
| 9 | 148-0028 | 3 | Pulley | 43 | 732-2000-00 | 8 | Red A80 Susp Bushing |
| 10 | 148-0094 | 4 | Pin-Belt Cover | 44 | 418-0021-00 | 4 | 1/2-13 X 3-3/4 Hex C/S (GR.5) Zc/Yel |
| 11 | 148-0092 | 2 | Cover Belt | 45 | 732-2001-00 | 4 | UTV A-Arm Bushing Sleeve |
| 12 | 148-0114 | 6 | M16 Spring Washer (39Mmod/ 3.9MM THK) | 46 | 9264964 | 3 | Screw-HWH, Thread Cut |
| 13 | 148-0112 | 3 | M16X1.5 C8.8 Hex Nut | 47 | 148-0236-P11 | 4 | Hanger-Deck Painted Grey |
| 14 | 148-0098 | 3 | Blade-Rotary | 48 | 148-0999-00-P11 | 1 | Bracket-Chute |
| 15 | 148-0108 | 3 | Washer-Hex | 49 | 148-0836-P11 | 1 | Deck Chute Hinge ASM |
| 16 | 429-0001-00 | 1 | Mwr Nylon Deck Guard | 50 | 481-0010-00 | 1 | Rz Mwr Rubber Discharge Chute |
| 17 | 433-0015-00 | 2 | 6-3/4In Idler Pulley 15/16In Spacer Assy | 51 | 439-0431-00-05 | 1 | Mwr Deck Chute Hinge Backer Brkt |
| 18 | 418-0110-00 | 1 | .767Idx1.125Odx.016 THK Trip Wv Washer | 52 | 148-0109 | 3 | M16X1.5-30MM C10.9 Hex Bolt |
| 19 | 410-0007-00 | 2 | 3/4In ID X15/16In OD X 1-1/8In Flng Bush | 53 | 148-0234 | 4 | Nut-Knob |
| 20 | 425-0006-00 | 1 | Mwr Inner Idler Spacer | 54 | 413-0029-00 | 18 | Nut-Hex |
| 21 | 490-0019-00-P11 | 1 | Mwr Deck Idler Pulley Arm Assy Paint | 55 | 419-0006-00 | 2 | .312 ID X .875OD X .1875 THK F/W NYL |
| 22 | 418-0009-00 | 3 | 1/2-13 X 5-1/2 Hex Flange Bolt GR 8 Zy | 56 | 418-0060-00 | 7 | 5/16-18 X 1 Carriage Bolt GR 8 Yz |
| 23 | 433-0014-00 | 1 | 6-3/4In Idler Pulley 7/16In Spacer ASM | 57 | 424-0002-00 | 1 | 1/4In Drive Type Grease Fitting Yz |
| 24 | 325-9 | 1 | Screw-HH | 58 | 3253-4 | 4 | Washer-Lock |
| 25 | 439-0257-00-P11 | 1 | Deck Idler Pulley Belt Retnr Brkt Paint | 59 | 116-7230 | 4 | Screw-HHF |
| 26 | 32128-49 | 7 | Nut-HHF | 60 | 107-8541-05 | 1 | Baffle-Discharge |
| 27 | 324-7 | 2 | Screw-HH | 61 | 3231-27 | 2 | Screw-CARR |
| 28 | 148-1137 | 1 | Bolt-L | 62 | 104-8301 | 2 | Nut-HF, NI |
| 29 | 413-0020-00 | 2 | 3/8-16 Hex Flange Nut W/Serr Zinc Yellow | 63 | 324-8 | 8 | Screw-HH |
| 30 | 418-0010-00 | 2 | Bolt-CARR | 64 | 419-0010-00 | 8 | .443 ID X .749 OD X .125 THK Nylon Black |
| 31 | 413-0022-00 | 2 | Nut-HF | 65 | 3296-23 | 1 | Nut-Lock, NI |

Deck Decal Assembly No. 148-0977

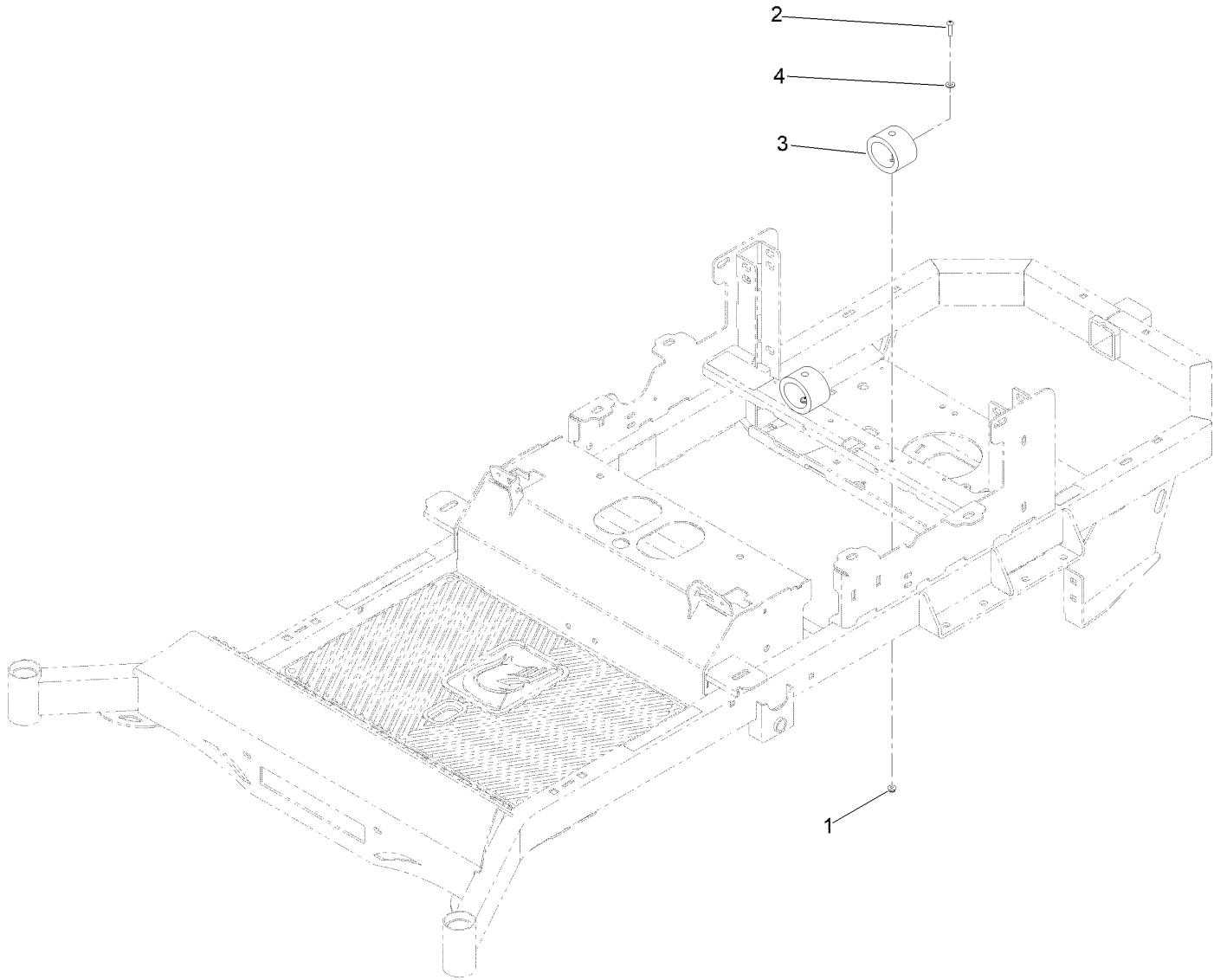


Deck Decal Assembly No. 148-0977 (continued)

| <i>Ref.</i> | <i>Part Number</i> | <i>Qty.</i> | <i>Description</i> | <i>Ref.</i> | <i>Part Number</i> | <i>Qty.</i> | <i>Description</i> |
|-------------|--------------------|-------------|---------------------------|-------------|--------------------|-------------|---------------------------|
| 1 | | 1 | Deck ASM-54, ● | 4 | 148-0430 | 1 | Decal-Safety Blade Torque |
| 2 | 125-6127 | 2 | Decal-Rotating Fan Hazard | 5 | 148-0779 | 1 | Decal-Xtf |
| 3 | 132-0872 | 1 | Decal-Danger, Deck | 6 | 148-0260 | 1 | Decal-Deck Belt Routing |

● Not serviced separately

Seat Suspension Assembly



Seat Suspension Assembly (continued)

| <i>Ref.</i> | <i>Part Number</i> | <i>Qty.</i> | <i>Description</i> | <i>Ref.</i> | <i>Part Number</i> | <i>Qty.</i> | <i>Description</i> |
|-------------|--------------------|-------------|---|-------------|--------------------|-------------|------------------------|
| 1 | 104-7201 | 2 | Nut-HF, NI | 3 | 487-0004-00 | 2 | Seat Rr Susp Elastomer |
| 2 | 418-0039-00 | 2 | 1/4-20 X 1 Button Socket C/S 18-8 SS | 4 | 515-0038 | 2 | Washer-Flat |

Notes:

Notes:

