



RZ-XD HD 60in Mower

Model No. RSZL2160FX730—Serial No. 400000000 and Up

Parts Catalog



Ordering Replacement Parts

To order replacement parts, please supply the part number, the quantity, and the description of each part desired.

Understanding Reference Numbers

Each identified part in an illustration has a reference number. The reference number for a part also appears in the parts list, along with other information about the part.

This catalog uses two special reference number formats, one to indicate parts in a service assembly and another to indicate the quantity of a given part in an illustration.

Service Assembly Reference Numbers

Parts in service assemblies have reference numbers in the form a:b. The a represents the reference number of the entire service assembly and the b represents a sequential number unique to each part within the service assembly.

For example, a wheel assembly might be identified by reference number 6, the tire by 6:1, the valve by 6:2, and the wheel by 6:3. When you order the assembly identified by reference number 6, you receive all parts identified by reference numbers 6:1, 6:2, and 6:3. However, you may also order any part individually. Reference numbers of this type appear in illustration and in parts lists.

Reference Numbers Indicating Quantity

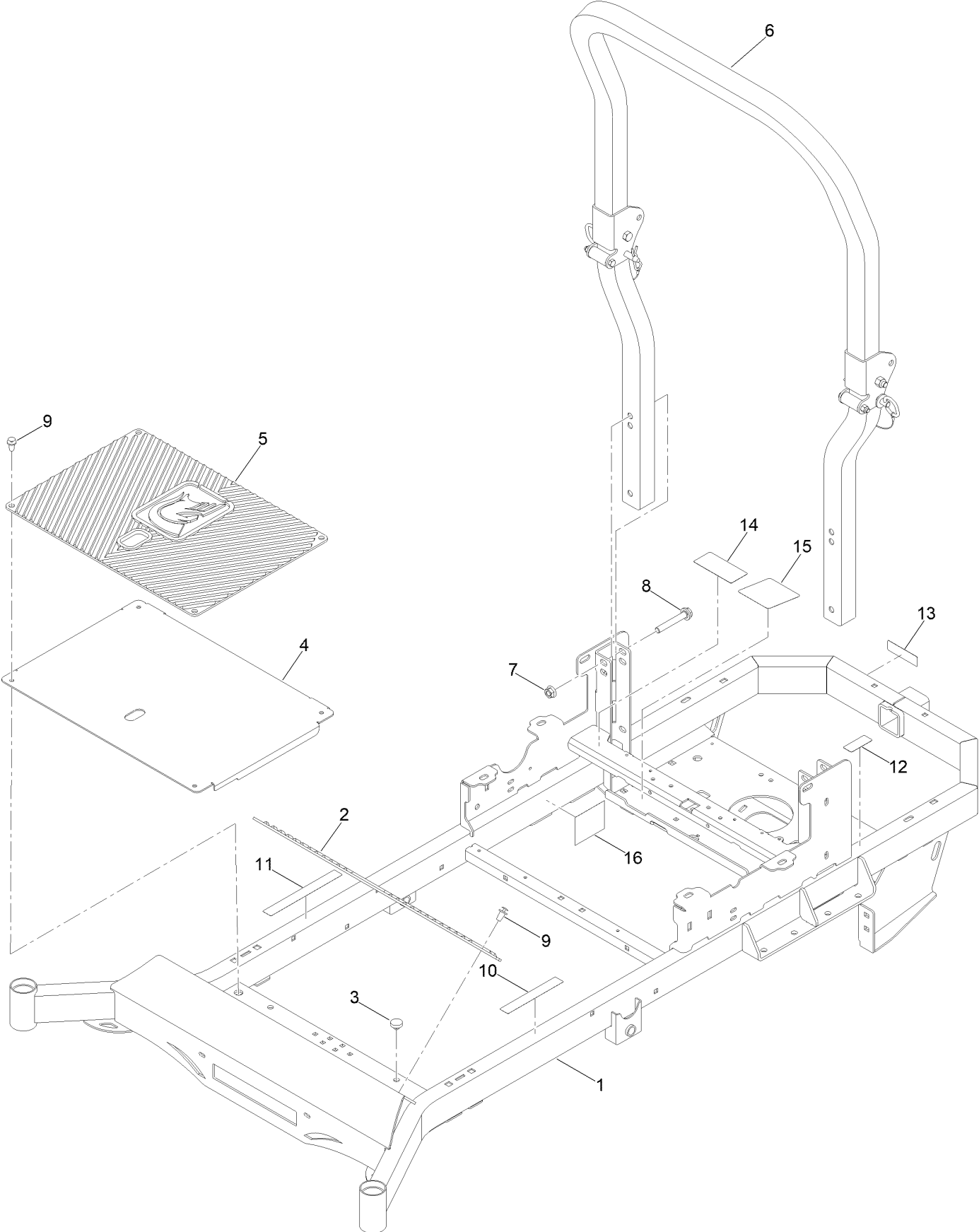
In an illustration, if a reference number indicates more than one part, the reference number has the form nX y. The n represents the quantity of the part, the X is the multiplication symbol, and the y represents the reference number.

For example, in an illustration, the reference number 2X 37 means that two of the parts identified by reference number 37 are indicated.

Contents

Main Frame Assembly	4
Frame with Decals Assembly No. 148-0997	6
Transmission Assembly	8
Body Styling Assembly	10
Fuel Tank Assembly	12
Seat Assembly	14
Motion Control and Parking Brake Assembly	16
Caster Tire Assembly	18
Drive Wheel Assembly	20
Electrical Assembly	22
Decklift Assembly	24
Engine Assembly	26
60 Inch Cutting Deck Assembly	28
Deck Decal Assembly No. 148-0979	30
Seat Suspension Assembly	32

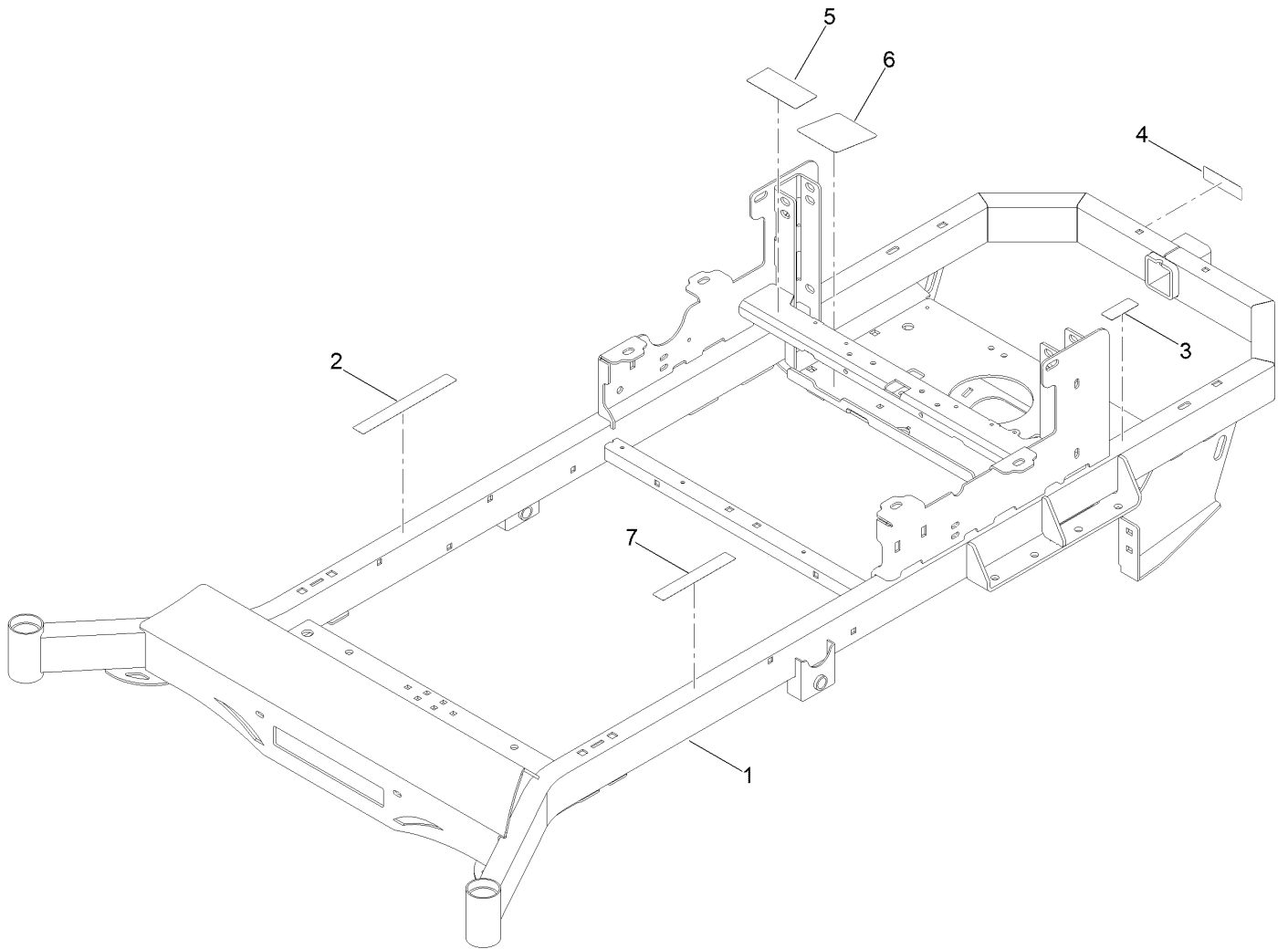
Main Frame Assembly



Main Frame Assembly (continued)

<i>Ref.</i>	<i>Part Number</i>	<i>Qty.</i>	<i>Description</i>	<i>Ref.</i>	<i>Part Number</i>	<i>Qty.</i>	<i>Description</i>
1	148-0970-P11	1	Ztr Frame ASM	9	414-0002-00	10	8MM Push Type Retainer Nylon Black
1	148-0997	1	Frame ASM-Decals	10	148-1094	1	Decal-Warning
2	481-0005-00	1	Mwr Rubber Foot Rest Mat	11	148-1095	1	Decal-Warning
3	429-0002-00	2	Push-In Rubber Bumper Mwr Floor	12	127-0392	1	Decal-Hot Surface
4	439-0007-00-P11	1	Mwr Floorboard Paint	13	147-7364	1	Decal-Hitch
5	481-0006-00	1	Mwr Logo Floor Mat	14	126-4363	1	Decal-Warning
6	148-0233	1	ROPS	15	148-0466	1	Decal-Pump Belt Routing-Parker
7	413-0014-00	4	1/2-13 Hex Stover Locknut GR C Zinc	16	148-1191	1	Decal-Epa
8	418-0019-00	4	Bolt-HF				

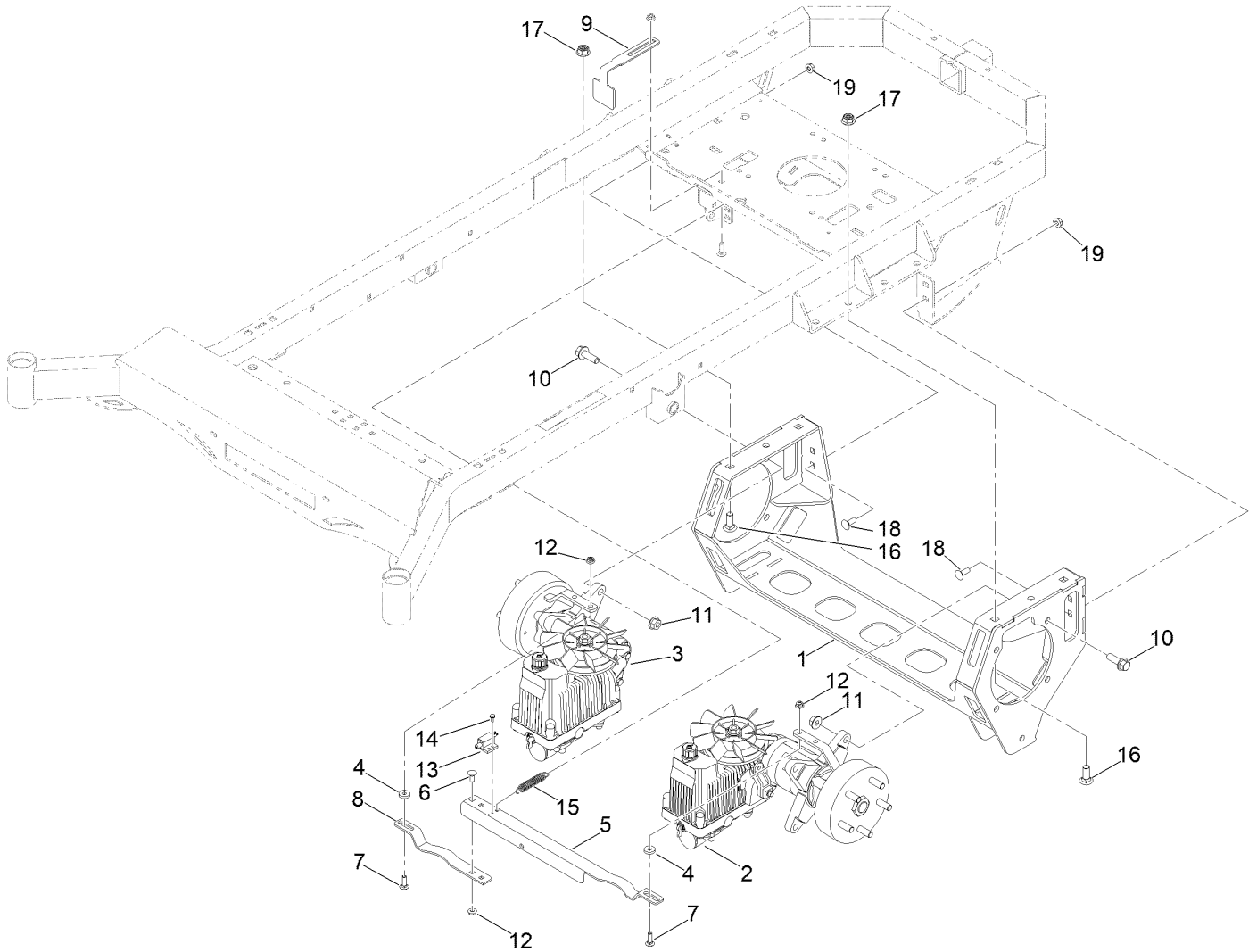
Frame with Decals Assembly No. 148-0997



Frame with Decals Assembly No. 148-0997 (continued)

<i>Ref.</i>	<i>Part Number</i>	<i>Qty.</i>	<i>Description</i>	<i>Ref.</i>	<i>Part Number</i>	<i>Qty.</i>	<i>Description</i>
1	148-0970-P11	1	Ztr Frame ASM	5	126-4363	1	Decal-Warning
2	148-1095	1	Decal-Warning	6	148-0466	1	Decal-Pump Belt Routing-Parker
3	127-0392	1	Decal-Hot Surface	7	148-1094	1	Decal-Warning
4	147-7364	1	Decal-Hitch				

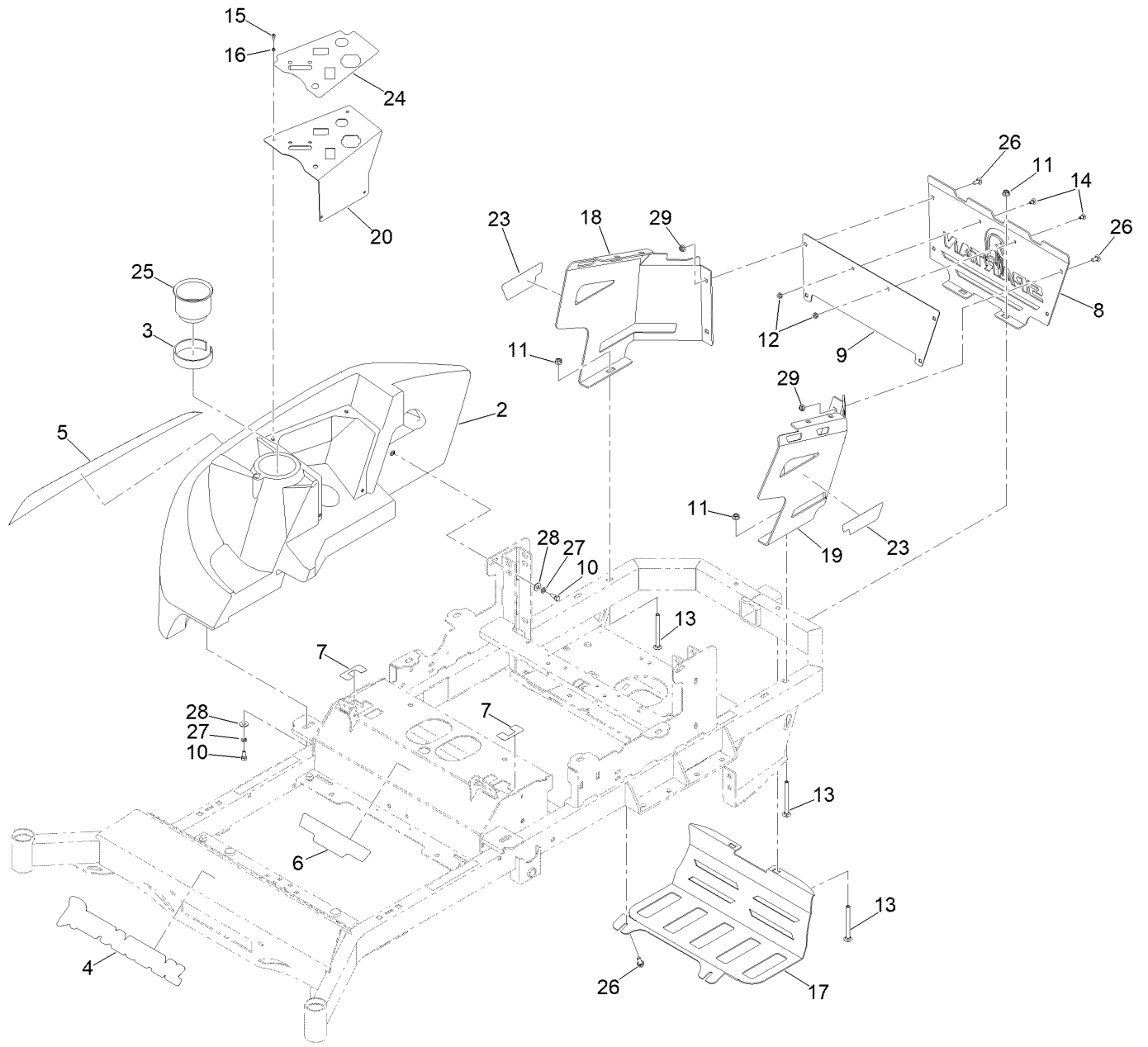
Transmission Assembly



Transmission Assembly (continued)

<i>Ref.</i>	<i>Part Number</i>	<i>Qty.</i>	<i>Description</i>	<i>Ref.</i>	<i>Part Number</i>	<i>Qty.</i>	<i>Description</i>
1	148-0985-P11	1	Hydro Frame ASM	10	100-6116	8	Screw-HHF
2	450-0009-00	1	Hte10 Lt Side Hydrost Transm For Rz Hub	11	32128-49	8	Nut-HHF
3	450-0010-00	1	Hte10 Rt Side Hydrost Transm For Rz Hub	12	413-0027-00	4	Nut-HF, NI
4	419-0006-00	2	.312 ID X .875OD X .1875 THK F/W NYL	13	486-0030-00	1	No Plunger Limit Switch
5	439-0607-00-P11	1	Mwr Park Brake Brkt Lt Paint	14	418-0032-00	2	8-32 X 1/2 Ind. HWH Slot Type F Tcs Zinc
6	418-0008-00	2	Bolt-CARR	15	434-0003-00	1	Mwr Brake Pedal Release Spring
7	418-0010-00	2	Bolt-CARR	16	148-1262	4	Screw-CARR,Patch
8	439-0606-00-P11	1	Mwr Park Brake Brkt Rt Paint	17	413-1005-00	4	1/2-13 Hex Flange 2-Way Rev Cntr L/Nyz
9	439-0066-00-P11	1	Stand Trans Brake Interlock Brkt Paint	18	418-0045-00	4	3/8-16 X 1 Carriage Bolt Yz GR.8
				19	413-0029-00	4	Nut-Hex

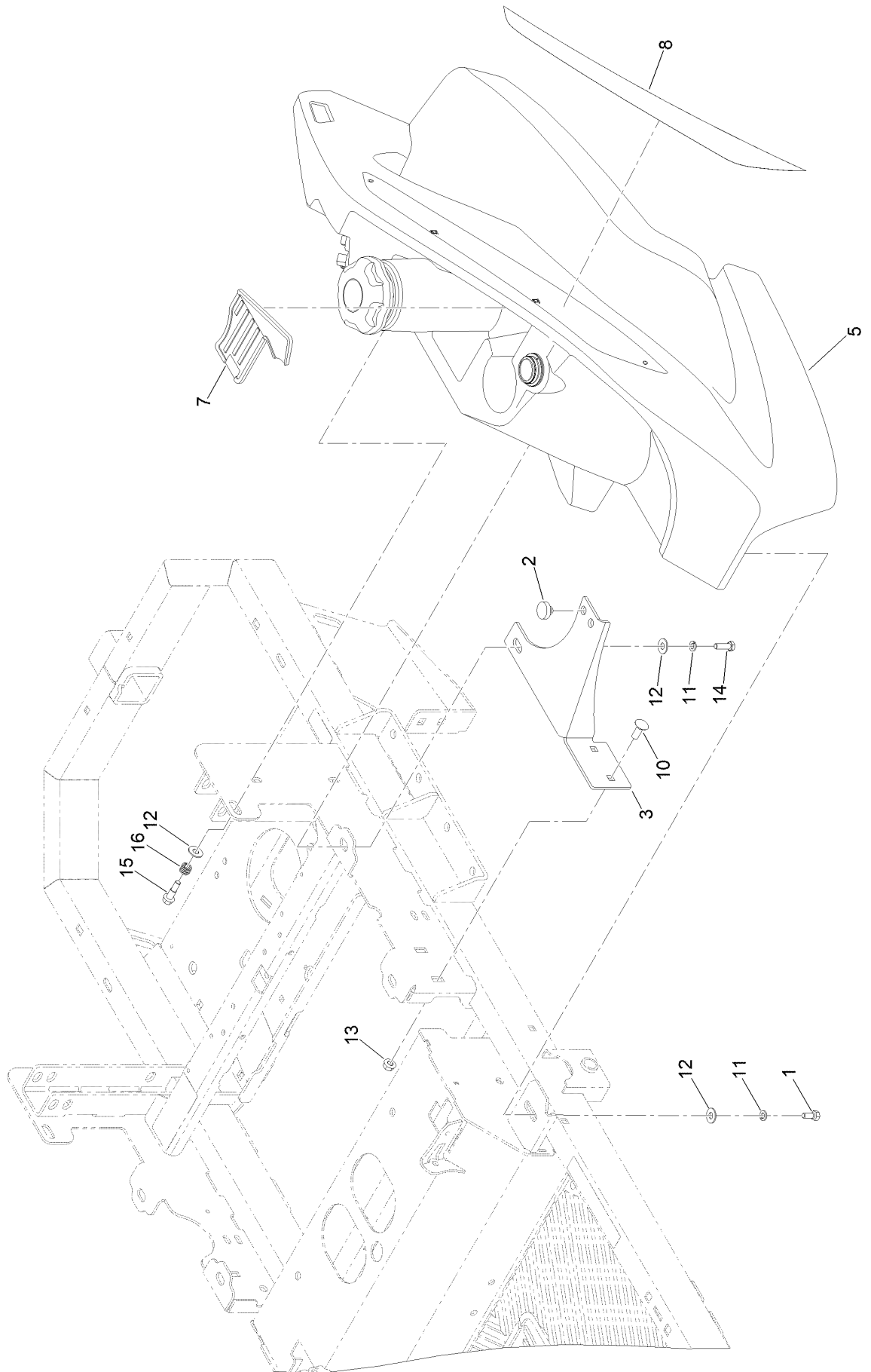
Body Styling Assembly



Body Styling Assembly (continued)

<i>Ref.</i>	<i>Part Number</i>	<i>Qty.</i>	<i>Description</i>	<i>Ref.</i>	<i>Part Number</i>	<i>Qty.</i>	<i>Description</i>
2	148-0307	1	Console W/ Cupholder	15	418-0055-00	4	10-24 X 1/2 Socket C/S 18-8 SS
3	148-0770	1	Tape-Foam	16	419-0011-00	4	#10 Split Lockwasher 18-8 SS
4	148-0801	1	Decal-Spartan, Front	17	148-1172-P11	1	Muffler Guard [gray]
5	148-0845	1	Decal-Tank	18	439-0691-00-P11	1	2021 Rt/Srt Engn Cowling Rtpainted
6	148-1161	1	Decal-Gt Trac	19	439-0692-00-P11	1	2021 Rt/Srt Engn Cowling Lt Painted
7	148-1056	2	Decal-Motion Control	20	148-1042-05	1	Rt 45 Key Mnt
8	148-1067-P11	1	Plate - Engine Cowling	23	148-1160	2	Decal-Model
9	148-1068-P12	1	Plate -Backer Plate	24	148-1097	1	Decal-Control Panel
10	418-0054-00	4	Screw-HH	25	780-2220-00	1	Cup Holder
11	413-0013-00	4	3/8-16 Nylon Insert Flange L/Nut Yz	26	418-0008-00	4	Bolt-CARR
12	413-0023-00	2	1/4-20 Hex Flange Nut W/Serr Zinc	27	3253-4	4	Washer-Lock
13	418-0018-00	4	3/8-16 X 4 Carriage Bolt Zinc	28	419-0007-00	4	Washer-Flat
14	418-0031-00	2	1/4-20 X 1/2 Carriage Bolt,Yz	29	413-0022-00	4	Nut-HF

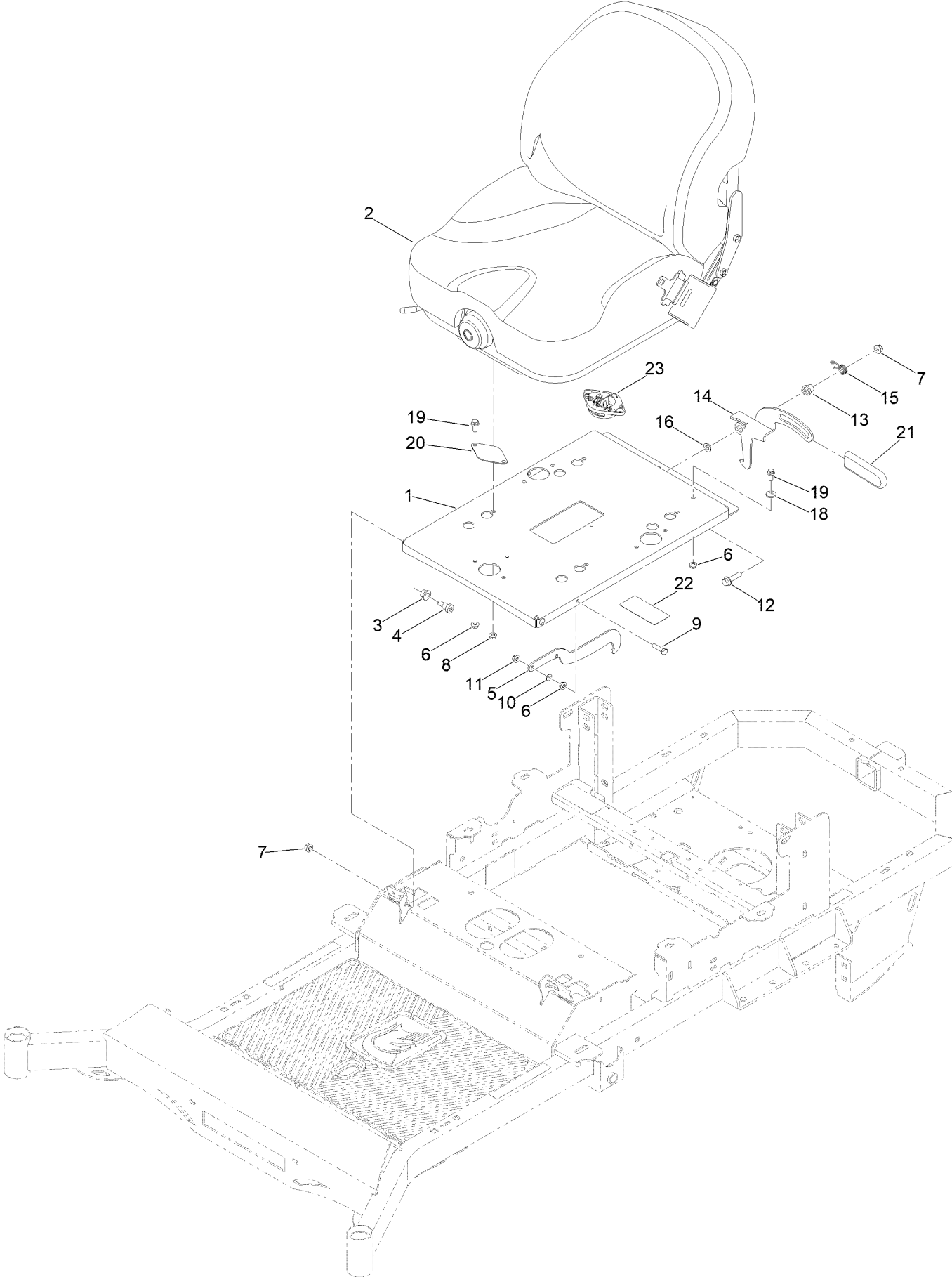
Fuel Tank Assembly



Fuel Tank Assembly (continued)

<i>Ref.</i>	<i>Part Number</i>	<i>Qty.</i>	<i>Description</i>	<i>Ref.</i>	<i>Part Number</i>	<i>Qty.</i>	<i>Description</i>
1	418-0054-00	2	Screw-HH	10	418-0045-00	2	3/8-16 X 1 Carriage Bolt Yz GR.8
2	429-0002-00	2	Push-In Rubber Bumper Mwr Floor	11	3253-4	3	Washer-Lock
3	148-0478-P11	1	Bracket-Tank Support	12	419-0007-00	4	Washer-Flat
5	467-0001-00	1	Mwr Gasoline Fuel Tank Assy	13	413-0020-00	2	3/8-16 Hex Flange Nut W/Serr Zinc Yellow
7	481-0004-00	1	Rubber Tank Storage Compartment Insert	14	418-0108-00	1	Screw-HH
8	148-0844	1	Decal-Tank	15	418-0287-00	1	Screw-Shoulder,HHF
				16	434-0020-00	1	Spring-Compression

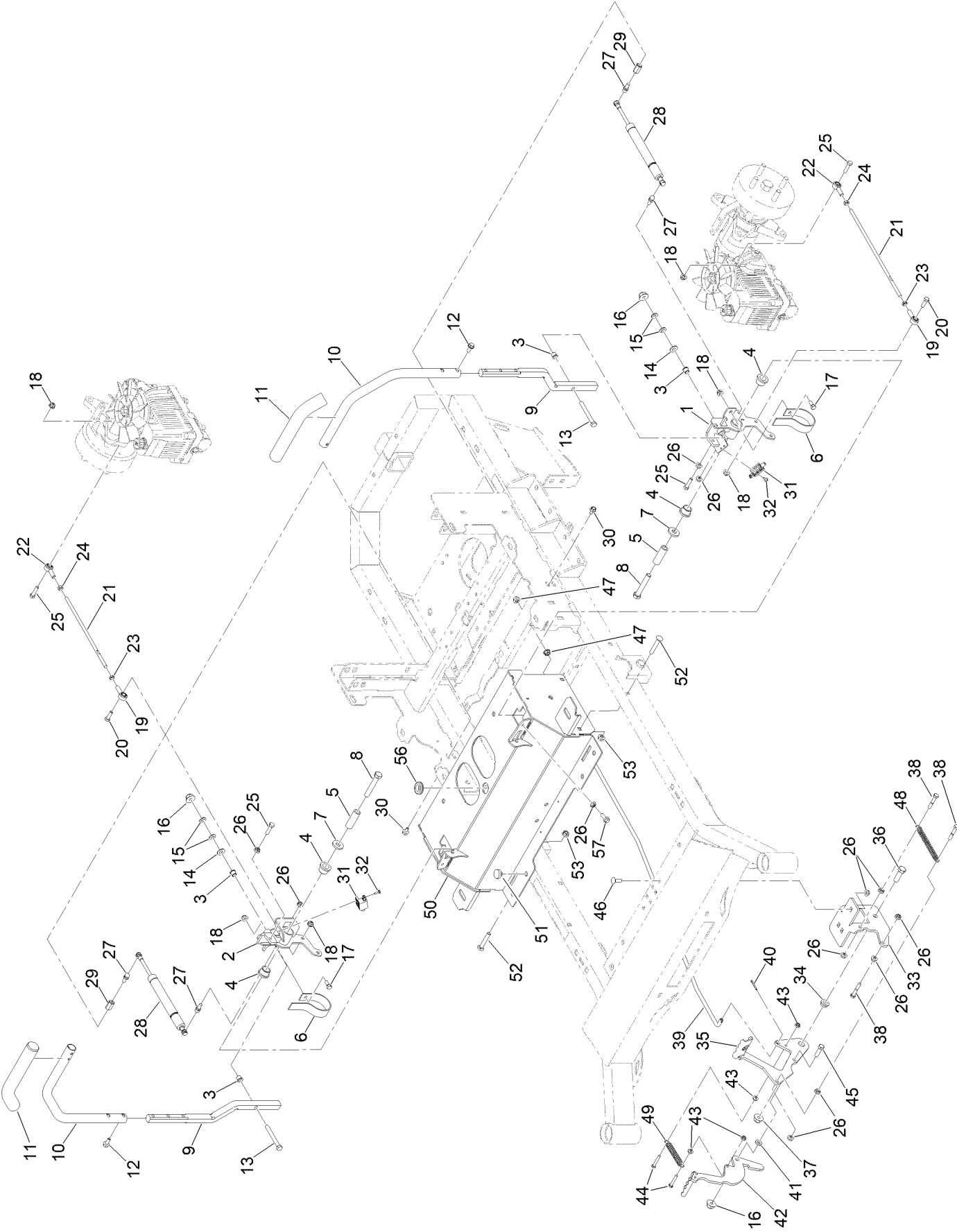
Seat Assembly



Seat Assembly (continued)

<i>Ref.</i>	<i>Part Number</i>	<i>Qty.</i>	<i>Description</i>	<i>Ref.</i>	<i>Part Number</i>	<i>Qty.</i>	<i>Description</i>
1	148-1047	1	Non 360 Seat Base Plate Safty Decal ASM-	11	413-0027-00	1	Nut-HF, NI
2	471-0015-00	1	2019 Full Susp Seat	12	114-4681	1	Screw-HHF
3	410-0010-00	2	1/2In ID X 5/8In OD X 1/2In Flange Bush	13	107-0075	1	Bushing-Latch, Seat
4	418-0038-00	2	1/2 X 1/2 Socket Shoulder Bolt Zc Yellow	14	148-0953	1	Bracket-Latch
5	439-0065-00-P11	1	Mwr Seat Latch Hook Paint	15	126-8923	1	Spring-Torsion, Latch
6	413-0022-00	4	Nut-HF	16	3256-24	1	Washer-Plain
7	413-0029-00	3	Nut-Hex	18	419-0006-00	1	.312 ID X .875OD X .1875 THK F/W NYL
8	413-0019-00	4	5/16-18 Nylon Insert Flange L/Nut Zc	19	116-7230	3	Screw-HHF
9	322-47	1	Screw-HH	20	426-0241-00-P11	1	2020 Rt/Srt Univ Float Seat Cvr PLT
10	413-0016-00	1	.312Idx.625Odx.062 THK Thrust Brg Oi Brz	21	484-0002-00	1	Stand Up Mwr Brake Arm Grip
				22	125-8473	1	Decal-Warning, Battery
				23	486-0036-00	1	Mwr Seat Switch

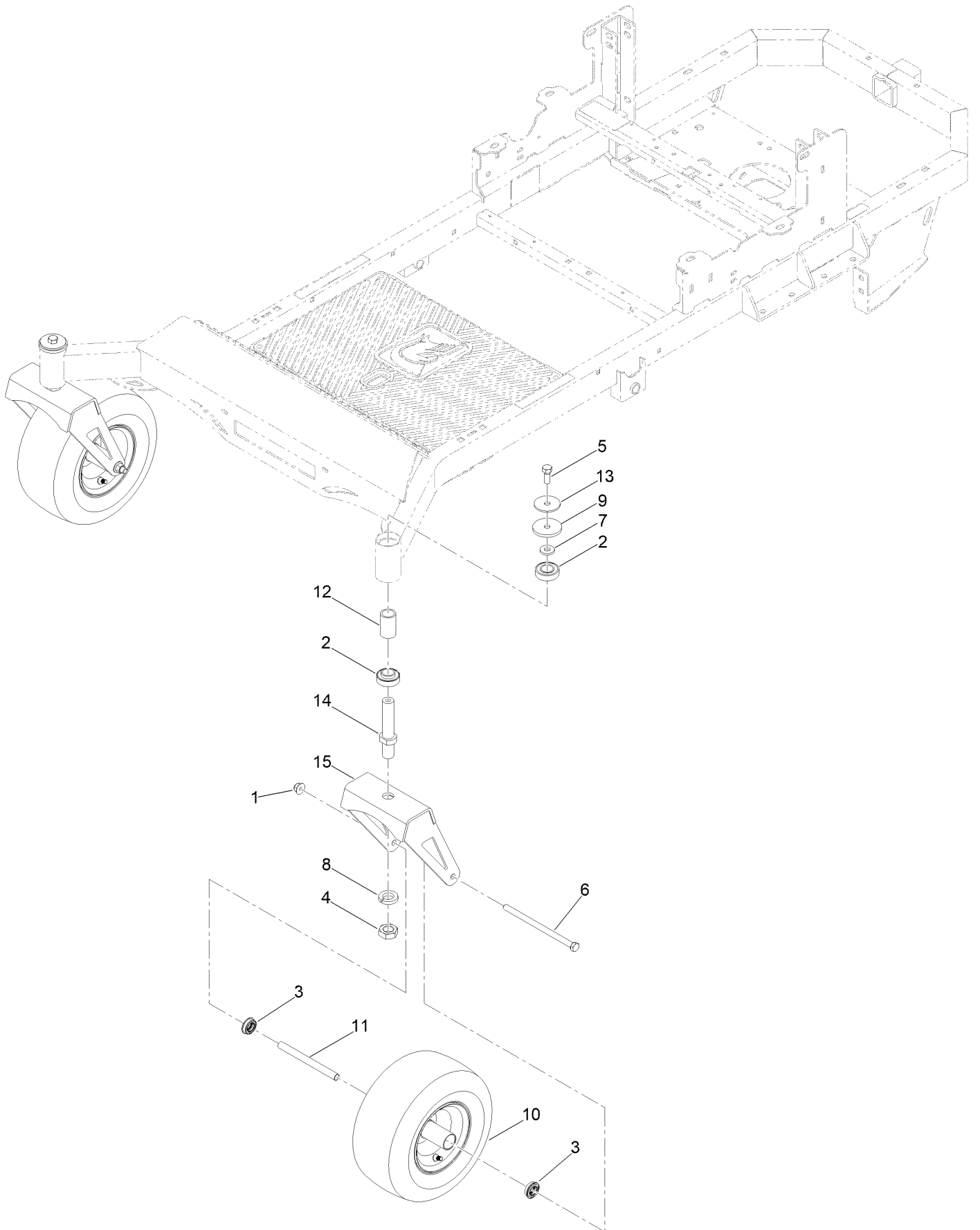
Motion Control and Parking Brake Assembly



Motion Control and Parking Brake Assembly (continued)

<i>Ref.</i>	<i>Part Number</i>	<i>Qty.</i>	<i>Description</i>	<i>Ref.</i>	<i>Part Number</i>	<i>Qty.</i>	<i>Description</i>
1	148-0888-05	1	LH Pivot ASM	31	486-0030-00	2	No Plunger Limit Switch
2	148-0889-05	1	RH Pivot ASM	32	418-0032-00	4	8-32 X 1/2 Ind. HWH Slot Type F Tcs Zinc
3	148-0886	4	Bushing-Flange	33	439-0009-00-P11	1	Mwr Frame Brake Mtg Brkt Paint
4	148-0897	4	Bushing-Flange	34	410-0009-00	1	1/2In ID X 3/4In OD X 3/8In Flange Bush
5	148-0885	2	Sleeve-Pivot	35	490-0016-00-P11	1	Mwr Brake Lock Lever Assy Painted
6	109-5575	2	Spring-Leaf	36	139-2631	1	Screw-HH
7	419-0003-00	2	1/2 Fender Washer 1-1/4In OD Zinc	37	413-0002-00	1	Nut-Lock
8	418-0050-00	2	1/2-13 X 3 Hex C/S GR 5 Zinc W/LocTite	38	418-0027-00	3	Bolt-HH
9	431-0001-00	2	Height Adjustable Control Arm	39	435-0004-00	1	Mwr Brake Linkage
10	403-0020-10-P11	2	Mower Drive Handle Tube Abc	40	3272-11	1	Pin-Cotter
11	484-0001-00	2	Control Arm Handle Grip	41	413-0052-00	1	3/8 ID X 3/4 OD X .125 THK Bronze Washer
12	116-7230	4	Screw-HHF	42	490-0017-00-P11	1	Mwr Brake Unlock Lever Assy Painted
13	323-20	2	Screw-HH	43	413-0012-00	4	1/4-20 Hex Flange Nut
14	419-0007-00	2	Washer-Flat	44	418-0029-00	2	1/4-20 X 1-1/4 Hex C/S GR 2 Zinc
15	148-1012	4	Washer-Belleville	45	323-7	1	Screw-HH
16	413-0013-00	3	3/8-16 Nylon Insert Flange L/Nut Yz	46	418-0010-00	3	Bolt-CARR
17	418-0054-00	2	Screw-HH	47	413-0020-00	2	3/8-16 Hex Flange Nut W/Serr Zinc Yellow
18	413-0027-00	6	Nut-HF, NI	48	434-0015-00	1	2020 Mwr Brake Pedal Tension Spring
19	410-0070-00	2	5/16-24 Spher Rod End Zinc LH Thd Fem	49	434-0003-00	1	Mwr Brake Pedal Release Spring
20	AU426-516	2	Screw-HH	50	148-0911-P11	1	ASM, Gt-Trac [gray]
21	435-0033-00	2	1310 Ttq Drive Arm Rod	51	429-0002-00	2	Push-In Rubber Bumper Mwr Floor
22	410-0071-00	2	5/16-24 Spher Rod End Zinc RH Thd Fem	52	618-2023-00	4	Screw-CARR
23	3220-20	2	Nut-Jam	53	413-0029-00	4	Nut-Hex
24	09207	2	Nut	56	240-6	1	Grommet-Rubber
25	322-47	4	Screw-HH	57	418-0048-00	2	5/16-18 X 3/4 Hex Flange Bolt GR 8 Yz
26	413-0022-00	15	Nut-HF				
27	487-0005-00	4	5/16-18X1.286 Damper Ball Stud (.562 TI)				
28	487-0001-00	2	Control Arm Damper				
29	613-0065-00	2	Standoff-Hex				
30	3234-28	2	Screw-HHF				

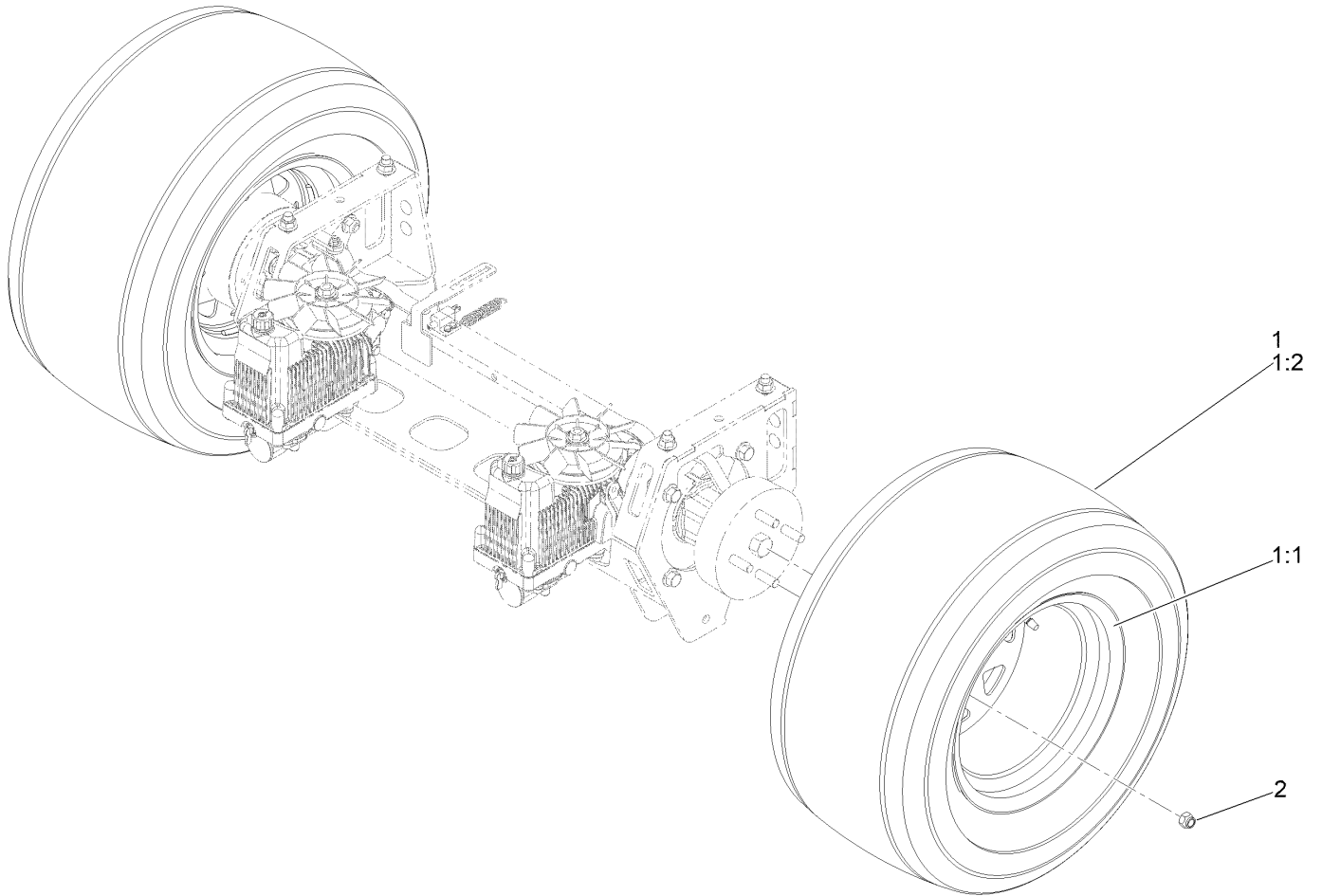
Caster Tire Assembly



Caster Tire Assembly (continued)

<i>Ref.</i>	<i>Part Number</i>	<i>Qty.</i>	<i>Description</i>	<i>Ref.</i>	<i>Part Number</i>	<i>Qty.</i>	<i>Description</i>
1	413-0002-00	2	Nut-Lock	8	419-0024-00	2	1In L/W Med Split Zc
2	103-3540	4	Bearing-Ball	9	419-0025-00	2	Ft Hub Plastic Washer
3	410-0018-00	4	Rz Ft Wheel Bearing	10	422-0027-00	2	Rz/Rt Pro Ft Tire
4	413-0063-00	2	Nut-Hex				Assy-Smooth Tread
5	418-0002-00	2	1/2-20 X 1-1/4 Hex Flange	11	425-0010-00	2	Mwr Ft Wheel Spanner
			Bolt GR 8 Yz	12	425-0011-00	2	Caster Fork Shaft Bearing
6	418-0003-00	2	1/2-13 X 8-1/2 Hex C/S GR				Spacer
			5 Zinc Yellow	13	426-0006-00-P11	2	Mwr Caster Shaft Washer
7	419-0003-00	2	1/2 Fender Washer 1-1/4In	14	437-0019-00	2	Mwr Caster Shaft
			OD Zinc	15	490-0046-00-P11	2	Rz Caster Fork ASM

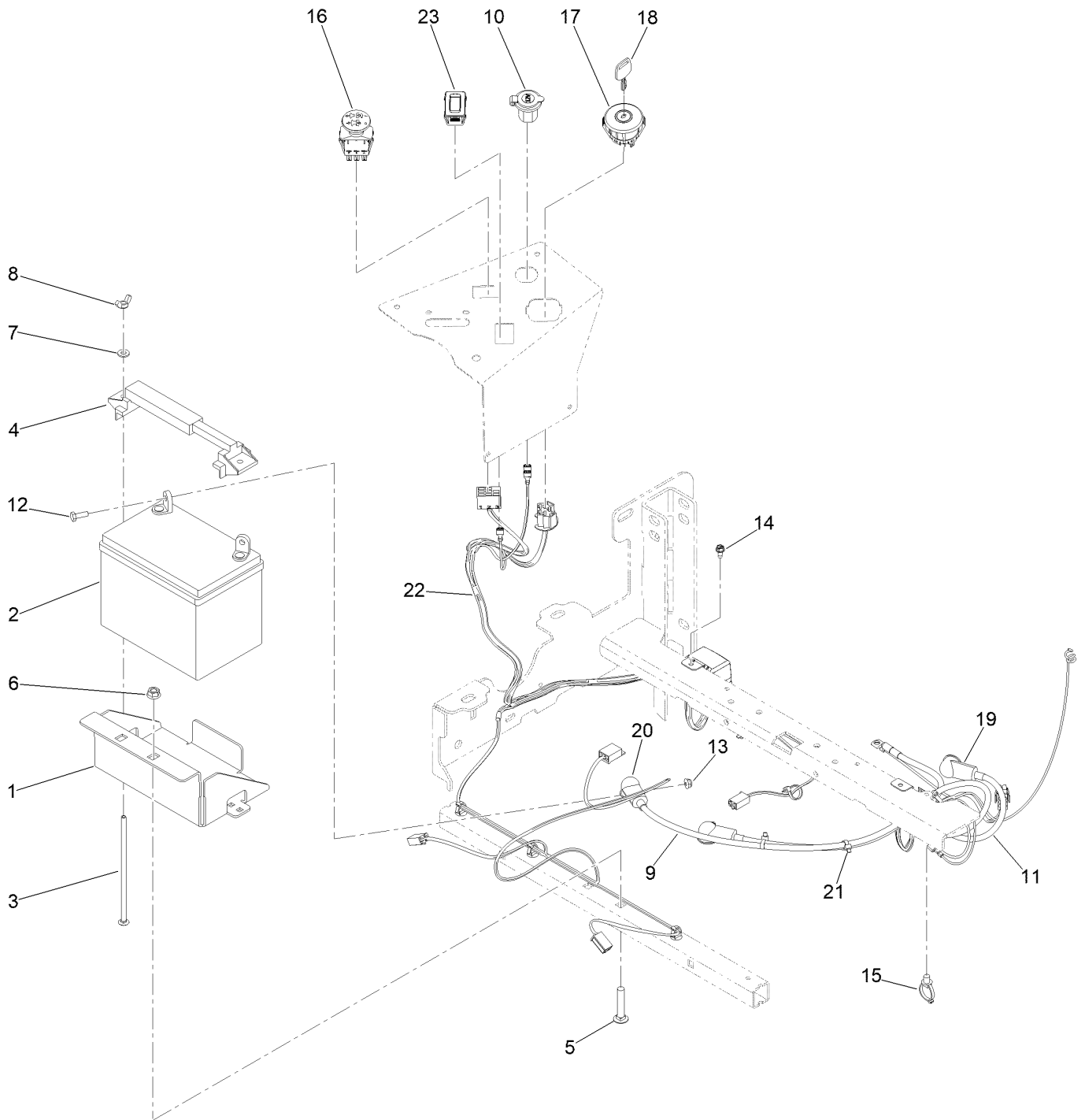
Drive Wheel Assembly



Drive Wheel Assembly (continued)

<i>Ref.</i>	<i>Part Number</i>	<i>Qty.</i>	<i>Description</i>	<i>Ref.</i>	<i>Part Number</i>	<i>Qty.</i>	<i>Description</i>
1	148-1009	2	Tire-ASM	1:2	148-1011	1	Tire
1:1	148-1010	1	Wheel	2	413-0015-00	8	1/2-20 Lugnut

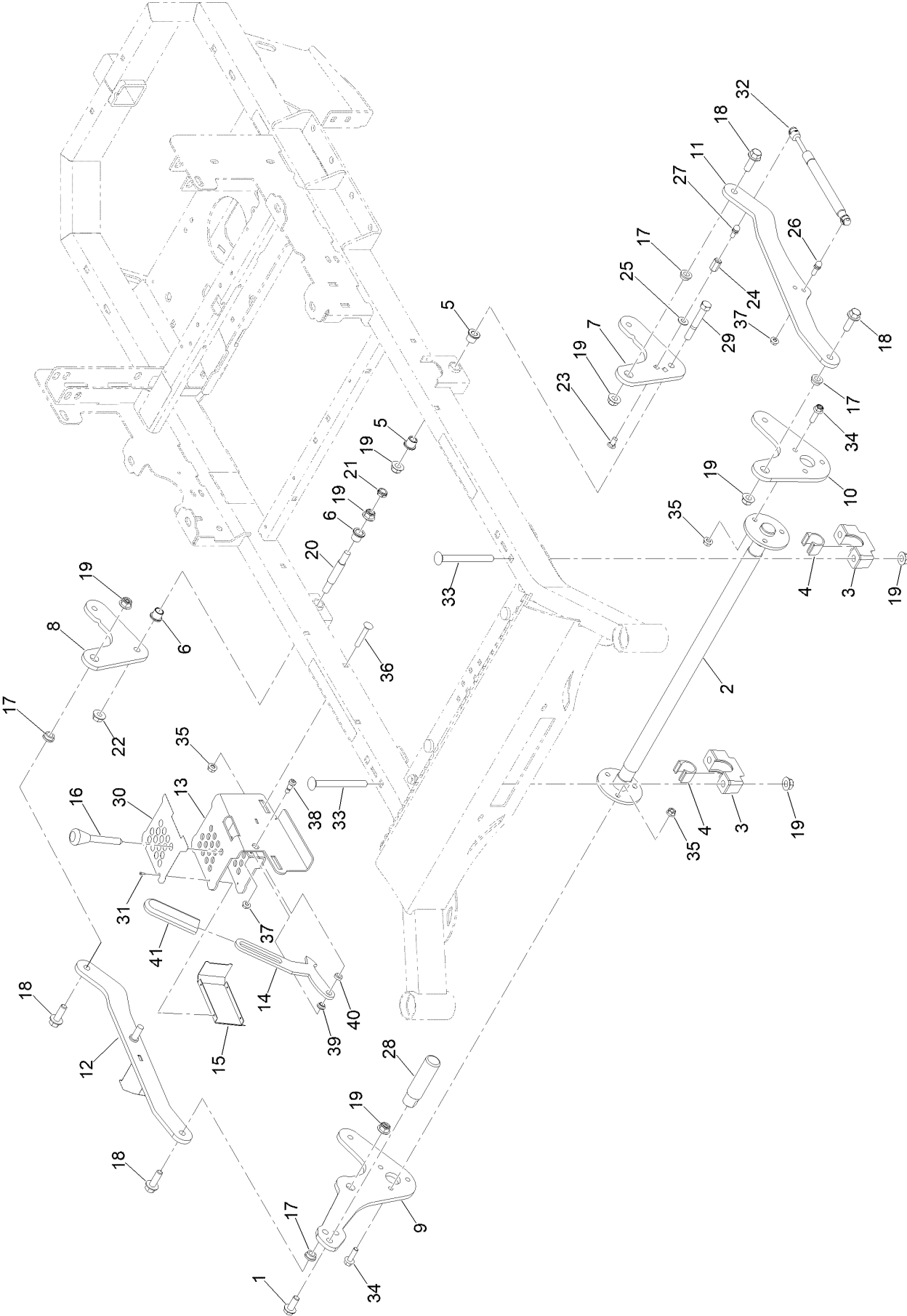
Electrical Assembly



Electrical Assembly (continued)

<i>Ref.</i>	<i>Part Number</i>	<i>Qty.</i>	<i>Description</i>	<i>Ref.</i>	<i>Part Number</i>	<i>Qty.</i>	<i>Description</i>
1	439-0008-00-P11	1	Mwr Battery Box	12	321-4	2	Screw-HH
2	468-1004-00	1	12 Volt Start Battery 300CCA	13	104-7201	2	Nut-HF, NI
3	418-0034-00	2	1/4-20 X 7 Carriage Bolt Zinc	14	120-9551	2	Screw-HWH
4	443-0001-00	1	Battery Hold Down	15	32180-030	1	Clip-Tie
5	3231-6	2	Screw-CARR	16	486-0060-00	1	PTO Switch
6	413-0020-00	2	3/8-16 Hex Flange Nut W/Serr Zinc Yellow	17	486-0062-00	1	Ignition Switch
7	515-0038	2	Washer-Flat	18	486-0065-00	1	2023 Mwr Key
8	1-803038	2	Wingnut	19	436-0002-00	1	3.15 Lgth Straight Insul Term Cover Red
9	486-0017-00	1	Mwr Negative Cable 28	20	436-0003-00	1	Straight Insulating Terminal Cover
10	677-2075-00	1	12 Volt Auxilliary Plug	21	3290-379	5	Tie-Cable
11	486-0016-00	1	Mwr Positive Battery Cable 25In	22	148-1014	1	Harness-Wire
				23	148-1063	1	Hour Meter

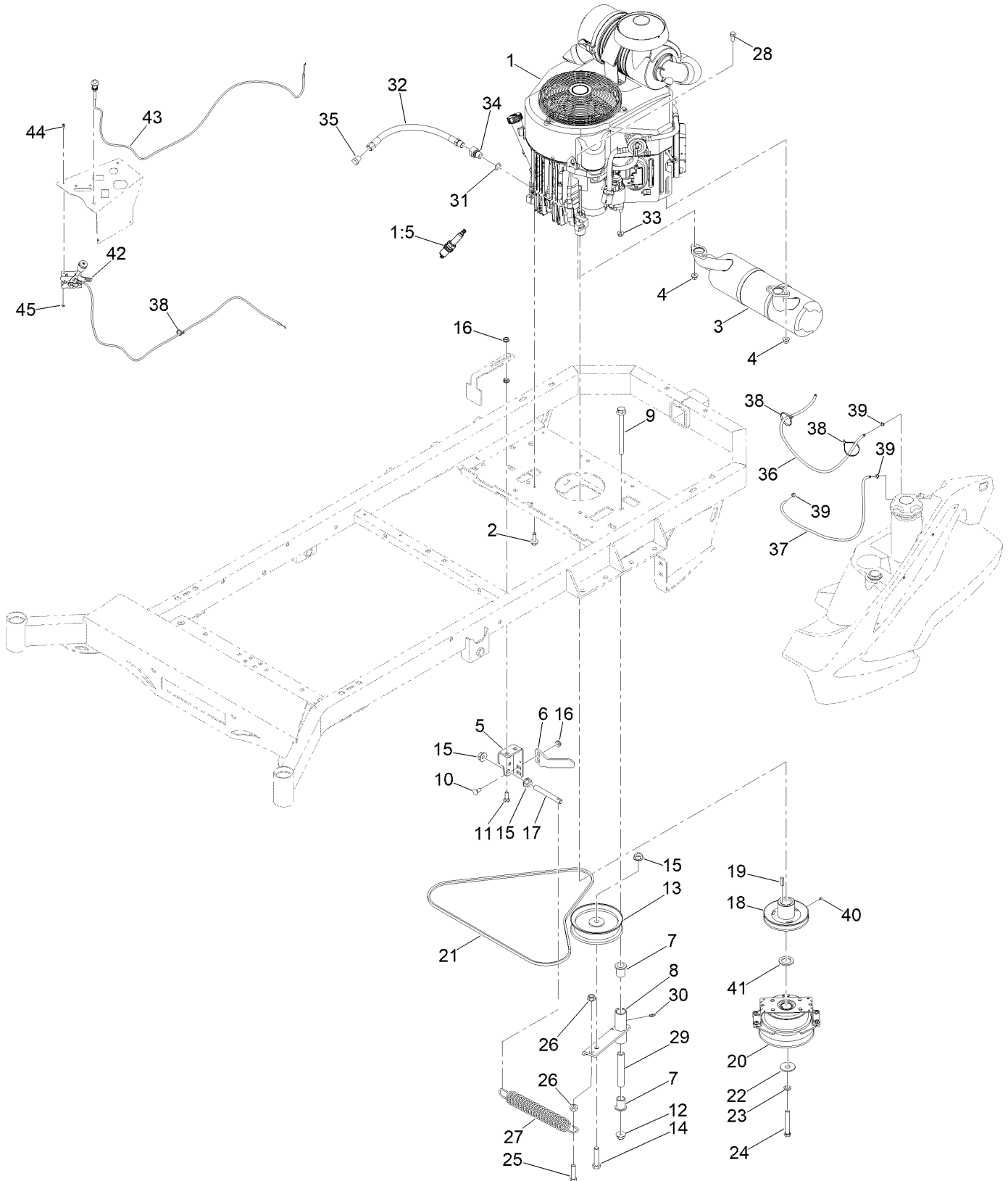
Decklift Assembly



Decklift Assembly (continued)

<i>Ref.</i>	<i>Part Number</i>	<i>Qty.</i>	<i>Description</i>	<i>Ref.</i>	<i>Part Number</i>	<i>Qty.</i>	<i>Description</i>
1	148-0095	1	1/2-13X1.25In Hex Flange Bolt (GR.8) Yz	22	32128-49	1	Nut-HHF
2	148-1074	1	Decklift ASM-Front	23	618-2068-00	1	3/8 X 3/4In GR 8 CARR Bolt Zinc
3	148-1085	2	Support-Bearing Housing	24	148-0422	1	Hex Coupling Nut - Reducer (3/8" To 5/16
4	109-9410	2	Bearing-Cross Shaft, Front	25	419-0007-00	1	Washer-Flat
5	135-5694	2	Bushing-Flange	26	487-0008-00	1	5/16-18X1.286 Damper Ball Stud (.562 TI)
6	135-9063	2	Bushing-Flange	27	487-0005-00	1	5/16-18X1.286 Damper Ball Stud (.562 TI)
7	148-1003-P11	1	(Rz Rear HOC Hanger)	28	148-0951	1	Pedal
8	148-0418-P11	1	Arm-Decklift Rear (3/8")	29	418-0042-00	1	1/2-13 X 3-1/2 Hex C/S GR 5 Zinc Yellow
9	148-0950-P11	1	Lever-Lift	30	148-1036	1	Decal-Height Of Cut
10	148-1075-P11	1	Plate-Decklift, Arm LH [gray]	31	923786	4	Rivet
11	148-0940-P11	1	Link-HOC(Left Side)	32	434-0008-00	1	Rz Deck Assist Gas Spring
12	148-0941-P11	1	Link ASM-HOC(Right Side Welded)	33	148-1080	4	Screw-CARR
13	148-0946-P11	1	Bracket-HOC ASM [gray]	34	148-1087	6	Screw-HHF
14	148-0943	1	Plate-Transport Lock	35	413-0029-00	8	Nut-Hex
15	148-0949-P11	1	Cover-HOC	36	618-2023-00	2	Screw-CARR
16	420-0009-00	1	Magnetic Pin For Stand On Mwr	37	413-0022-00	2	Nut-HF
17	410-0009-00	4	1/2In ID X 3/4In OD X 3/8In Flange Bush	38	418-0083-00	1	3/8 X 1/2 Socket Shoulder Bolt Yz
18	100-6116	4	Screw-HHF	39	148-1211	1	Bushing-Flange
19	413-1005-00	10	1/2-13 Hex Flange 2-Way Rev Cntr L/Nyz	40	148-1212	1	Washer-Plain
20	418-0276-00	1	Rr Deck Height Bolt (Machined)	41	484-0002-00	1	Stand Up Mwr Brake Arm Grip
21	3296-45	1	Nut-Hex				

Engine Assembly



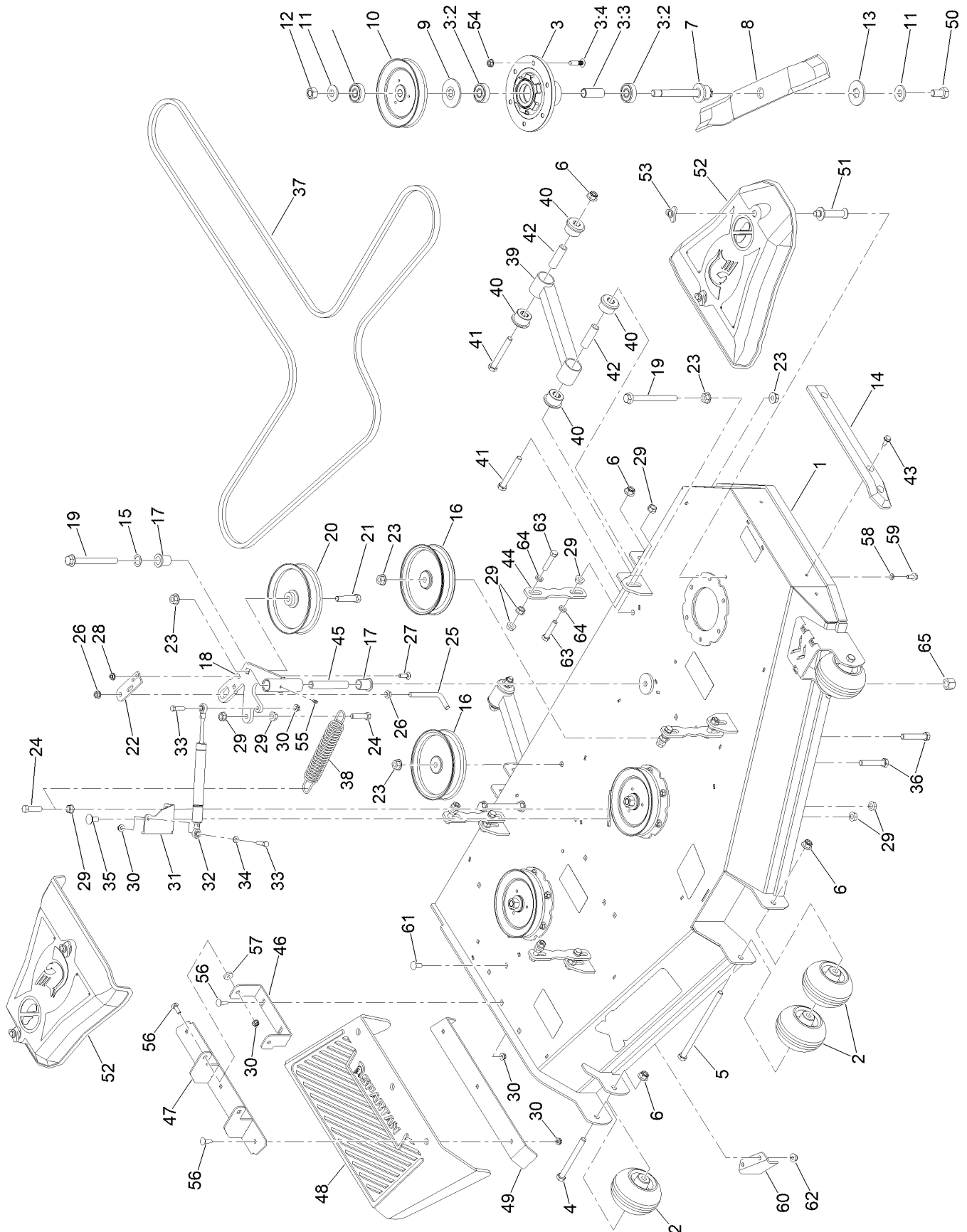
Engine Assembly (continued)

<i>Ref.</i>	<i>Part Number</i>	<i>Qty.</i>	<i>Description</i>	<i>Ref.</i>	<i>Part Number</i>	<i>Qty.</i>	<i>Description</i>
1	144-3720	1	Engine-Kawasaki, Fx730V	21	461-0004-00	1	Mwr Pump Belt Rt A X 68.25In Eff Lngth
1:1		1	Filter-Oil ●■▲	22	419-0001-00	1	1/2In X 1-5/8 Belleville Cup Washer Yz
1:2		1	Filter-Fuel ●■▲	23	3253-6	1	Washer-Lock
1:3		1	Element-Filter, Air (Inner) ● ■▲	24	418-0223-00	1	Ttq Clutch Bolt
1:4		1	Element-Filter, Air (Outer) ● ■▲	25	418-0013-00	1	Bolt-HH
1:5	92-2153	2	Plug-Spark	26	32128-37	2	Nut-HF
2	418-0023-00	4	3/8-16 X 1-1/8 Ind HWH W/Serr Tri Lob Zy	27	434-0007-00	1	Mwr Deck Spring
3	415-0074-00	1	2019 Exhaust Syst For Kawi Fr Fs And Ft	28	418-0278-00	1	M8-1.25 X 20MM Hex Flange Bolt Zinc 10.9
4	104-2612	4	Nut-HF	29	425-0006-00	1	Mwr Inner Idler Spacer
5	439-0244-00-05	1	Mwr Pump Idler Tensioning Brkt Black	30	424-0002-00	1	1/4In Drive Type Grease Fitting Yz
6	439-0493-00-05	1	2021 Ttq Mower Ogura Clutch Bracket	31	139-8387	1	Ring-O,15.8X2.4
7	410-0007-00	2	3/4In ID X15/16In OD X 1-1/8In Flng Bush	32	117-1261	1	Hose-Drain, Oil
8	490-0018-00-05	1	Mwr Pump Idler Assy Black	33	112-2844	1	Nut-HF
9	418-0009-00	1	1/2-13 X 5-1/2 Hex Flange Bolt GR 8 Zy	34	148-1263	1	3/8" FNPT To M20X2.5 Adapter 59071-7023
10	418-0008-00	2	Bolt-CARR	35	148-1266	1	3/8 MNPT Oil Plug
11	418-0062-00	2	5/16-18 X 1-1/4 Carriage Bolt Zc/Yel	36	451-0002-00	10	Mwr Fuel Tank Black 3/16In Vent Tube 1Ft
12	413-0002-00	1	Nut-Lock	36	451-0002-00RT06	1	Mwr Fuel Tank Blk 3/16 Vent Tube
13	433-0013-00	1	5-3/4In Idler Pulley 7/16In Spacer Assy	37	751-1014-00	10	1/4In SAE J30R7 Bulk Hose 1Ft
14	325-9	1	Screw-HH	38	3290-379	4	Tie-Cable
15	32128-49	3	Nut-HHF	39	472-0004-00	3	1/2In (#8) Hose Clamp
16	413-0022-00	6	Nut-HF	40	418-0280-00	1	5/16-18 X 3/8 Socket Set Screw
17	430-0001-00	1	Mwr Pump Idler Spring Tensioner	41	3-6781	1	Washer-Flat
18	433-0001-00	1	Mwr Hydraulic Pump Drive Pulley (A Belt)	42	464-0001-00	1	Mwr Throttle Cable Assy W / Handle
19	1-807259	1	Key	43	464-0002-00	1	Mwr Choke Cable Assm
20	470-0004-00	1	Mwr Ttq Ogura Clutch	44	418-0055-00	2	10-24 X 1/2 Socket C/S 18-8 SS
				45	110-3145	2	Nut-Lock

● Not illustrated
▲ Obtain parts from www.kawpower.com

■ Not serviced separately

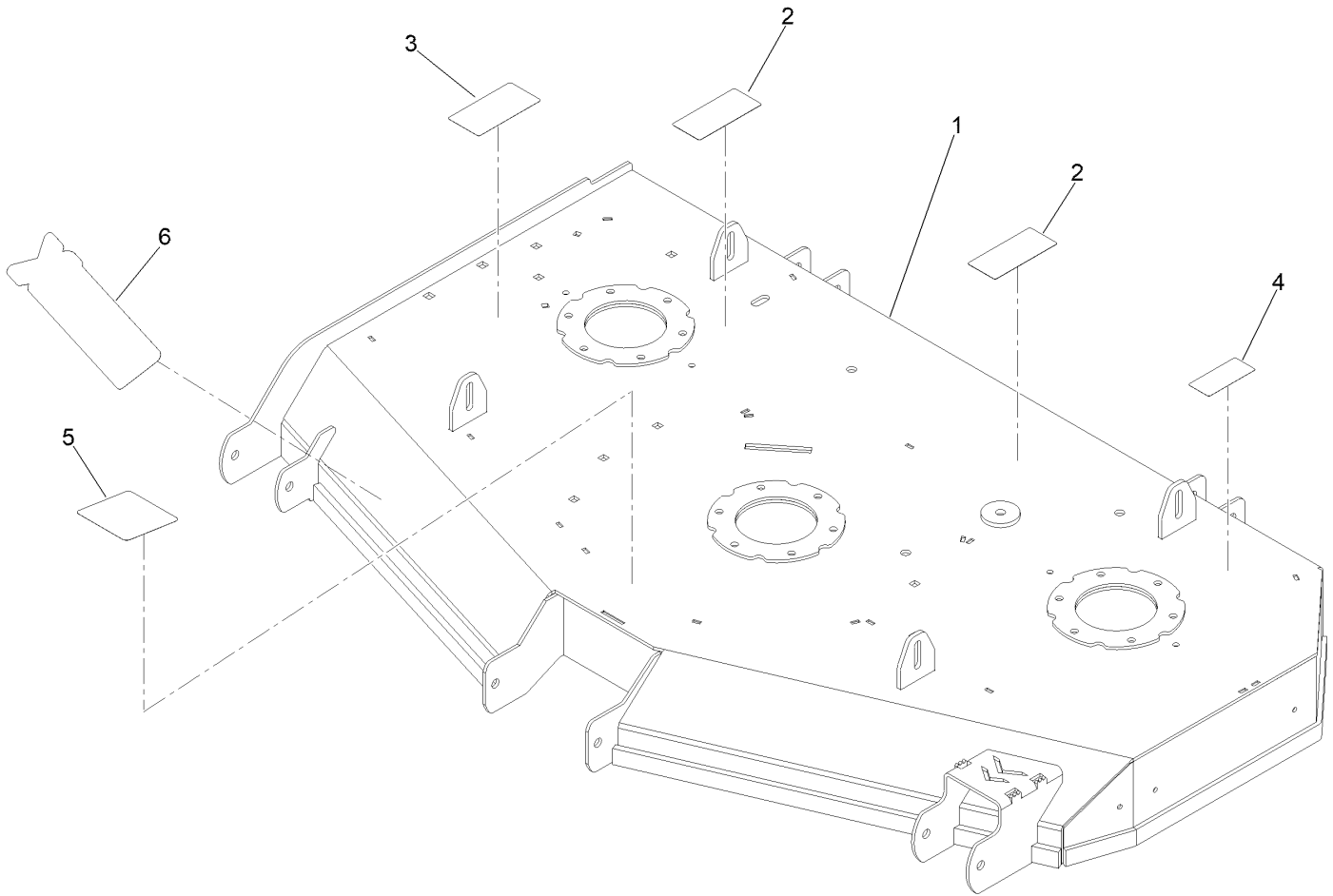
60 Inch Cutting Deck Assembly



60 Inch Cutting Deck Assembly (continued)

<i>Ref.</i>	<i>Part Number</i>	<i>Qty.</i>	<i>Description</i>	<i>Ref.</i>	<i>Part Number</i>	<i>Qty.</i>	<i>Description</i>
1	148-0979	1	ASM- 60" Deck W/Decals	32	434-0009-00	1	Idler Gas Spring
2	422-0061-00	4	Mwr Anti-Scalp Whl W/O Grease Fitting	33	322-47	2	Screw-HH
3	148-0002	3	Spindle ASM 5In Deck	34	413-0016-00	1	.312Idx.625Odx.062 THK Thrust Brg Oi Brz
3:2	116-4004	2	Bearing	35	3232-1	1	Screw-CARR
3:3	148-0025	1	Spacer, Bearing	36	418-0246-00	2	1/2-13 X 2-3/4 Hex Flange Bolt (GR.8) Yz
3:4	116-3473	6	Bolt-Round Head	37	126-7443	1	Belt-V
4	418-0016-00	2	Screw-HH	38	434-0007-00	1	Mwr Deck Spring
5	418-0015-00	1	1/2-13 X 8-1/2 Hex C/S GR 2 Zinc Yellow	39	490-0047-00-05	2	Rz Mwr Deck Stablzr Assy
6	413-0002-00	7	Nut-Lock	40	732-2000-00	8	Red A80 Susp Bushing
7	148-0105	3	Shaft - Spindle	41	418-0021-00	4	1/2-13 X 3-3/4 Hex C/S (GR.5) Zc/Yel
8	148-0939	3	Blade-Rotary	42	732-2001-00	4	UTV A-Arm Bushing Sleeve
9	148-0102	3	Guard-Bearing Top 0.673In	43	9264964	3	Screw-HWH, Thread Cut
10	148-0938	3	Pulley	44	148-0236-P11	4	Hanger-Deck Painted Grey
11	148-0114	6	M16 Spring Washer (39Mmod/ 3.9MM THK)	45	425-0006-00	1	Mwr Inner Idler Spacer
12	148-0112	3	M16X1.5 C8.8 Hex Nut	46	148-0999-00-P11	1	Bracket-Chute
13	148-0108	3	Washer-Hex	47	148-0836-P11	1	Deck Chute Hinge ASM
14	429-0001-00	1	Mwr Nylon Deck Guard	48	481-0010-00	1	Rz Mwr Rubber Discharge Chute
15	418-0110-00	1	.767Idx1.125Odx.016 THK Trip Wv Washer	49	439-0431-00-05	1	Mwr Deck Chute Hinge Backer Brkt
16	433-0015-00	2	6-3/4In Idler Pulley 15/16In Spacer Assy	50	148-0109	3	M16X1.5-30MM C10.9 Hex Bolt
17	410-0007-00	2	3/4In ID X15/16In OD X 1-1/8In Flng Bush	51	148-0094	4	Pin-Belt Cover
18	490-0019-00-P11	1	Mwr Deck Idler Pulley Arm Assy Paint	52	148-0093	2	Cover-Belt
19	418-0009-00	3	1/2-13 X 5-1/2 Hex Flange Bolt GR 8 Zy	53	148-0234	4	Nut-Knob
20	433-0014-00	1	6-3/4In Idler Pulley 7/16In Spacer ASM	54	413-0029-00	18	Nut-Hex
21	325-9	1	Screw-HH	55	424-0002-00	1	1/4In Drive Type Grease Fitting Yz
22	439-0257-00-P11	1	Deck Idler Pulley Belt Retnr Brkt Paint	56	418-0060-00	7	5/16-18 X 1 Carriage Bolt GR 8 Yz
23	32128-49	7	Nut-HHF	57	419-0006-00	2	.312 ID X .875OD X .1875 THK F/W NYL
24	324-7	2	Screw-HH	58	3253-4	4	Washer-Lock
25	148-1137	1	Bolt-L	59	116-7230	4	Screw-HHF
26	413-0020-00	2	3/8-16 Hex Flange Nut W/Serr Zinc Yellow	60	107-8541-05	1	Baffle-Discharge
27	418-0010-00	2	Bolt-CARR	61	3231-27	2	Screw-CARR
28	413-0022-00	2	Nut-HF	62	104-8301	2	Nut-HF, NI
29	32128-37	21	Nut-HF	63	324-8	8	Screw-HH
30	413-0027-00	9	Nut-HF, NI	64	419-0010-00	8	.443 ID X .749 OD X .125 THK Nylon Black
31	439-0335-00-P11	1	Deck Belt Idler Damper Mtg Brkt Painted	65	3296-23	1	Nut-Lock, NI

Deck Decal Assembly No. 148-0979

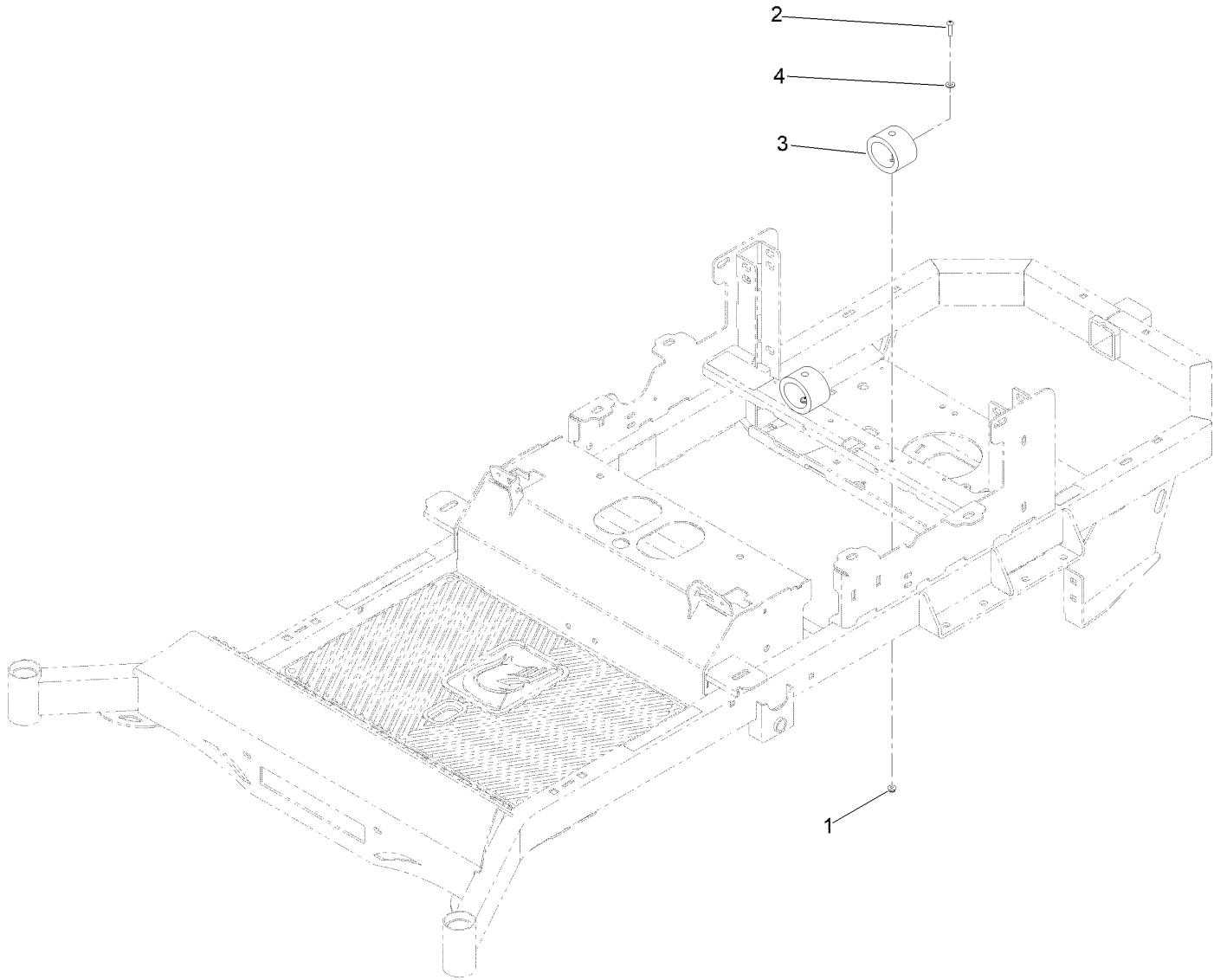


Deck Decal Assembly No. 148-0979 (continued)

<i>Ref.</i>	<i>Part Number</i>	<i>Qty.</i>	<i>Description</i>	<i>Ref.</i>	<i>Part Number</i>	<i>Qty.</i>	<i>Description</i>
1		1	Deck ASM-60 ●	4	148-0430	1	Decal-Safety Blade Torque
2	125-6127	2	Decal-Rotating Fan Hazard	5	148-0260	1	Decal-Deck Belt Routing
3	132-0872	1	Decal-Danger, Deck	6	148-0443	1	Decal-Xtf

● Not serviced separately

Seat Suspension Assembly



Seat Suspension Assembly (continued)

<i>Ref.</i>	<i>Part Number</i>	<i>Qty.</i>	<i>Description</i>	<i>Ref.</i>	<i>Part Number</i>	<i>Qty.</i>	<i>Description</i>
1	104-7201	2	Nut-HF, NI	3	487-0004-00	2	Seat Rr Susp Elastomer
2	418-0039-00	2	1/4-20 X 1 Button Socket C/S 18-8 SS	4	515-0038	2	Washer-Flat

Notes:

Notes:

