



## SRT-XDE 61in Mower

Model No. RSSXDE61801KX—Serial No. 40000000 and Up

# Parts Catalog



# Ordering Replacement Parts

To order replacement parts, please supply the part number, the quantity, and the description of each part desired.

## Understanding Reference Numbers

Each identified part in an illustration has a reference number. The reference number for a part also appears in the parts list, along with other information about the part.

This catalog uses two special reference number formats, one to indicate parts in a service assembly and another to indicate the quantity of a given part in an illustration.

## Service Assembly Reference Numbers

Parts in service assemblies have reference numbers in the form a:b. The a represents the reference number of the entire service assembly and the b represents a sequential number unique to each part within the service assembly.

For example, a wheel assembly might be identified by reference number 6, the tire by 6:1, the valve by 6:2, and the wheel by 6:3. When you order the assembly identified by reference number 6, you receive all parts identified by reference numbers 6:1, 6:2, and 6:3. However, you may also order any part individually. Reference numbers of this type appear in illustration and in parts lists.

## Reference Numbers Indicating Quantity

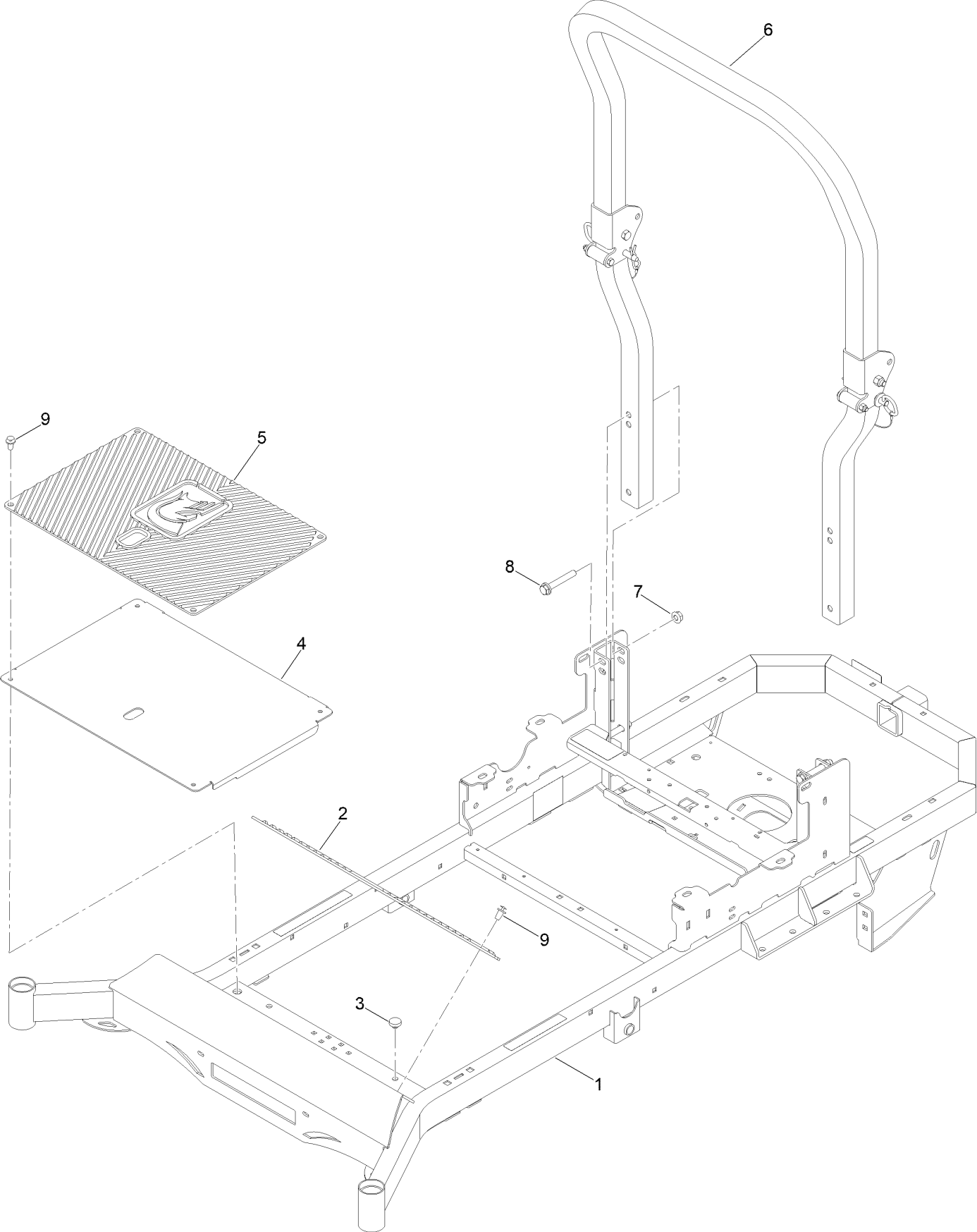
In an illustration, if a reference number indicates more than one part, the reference number has the form nX y. The n represents the quantity of the part, the X is the multiplication symbol, and the y represents the reference number.

For example, in an illustration, the reference number 2X 37 means that two of the parts identified by reference number 37 are indicated.

# Contents

Main Frame Assembly .....	4
Frame with Decals Assembly No. 148-0997 .....	6
Transmission Assembly .....	8
Body Styling Assembly .....	10
Fuel Tank Assembly .....	12
Seat Assembly .....	14
Motion Control and Parking Brake Assembly .....	16
Caster Tire Assembly .....	18
Drive Wheel Assembly .....	20
Electrical Assembly .....	22
Decklift Assembly .....	24
Engine Assembly .....	26
61 Inch Cutting Deck Assembly .....	28
Deck Decal Assembly No. 148-0787 .....	30
Seat Suspension Assembly .....	32

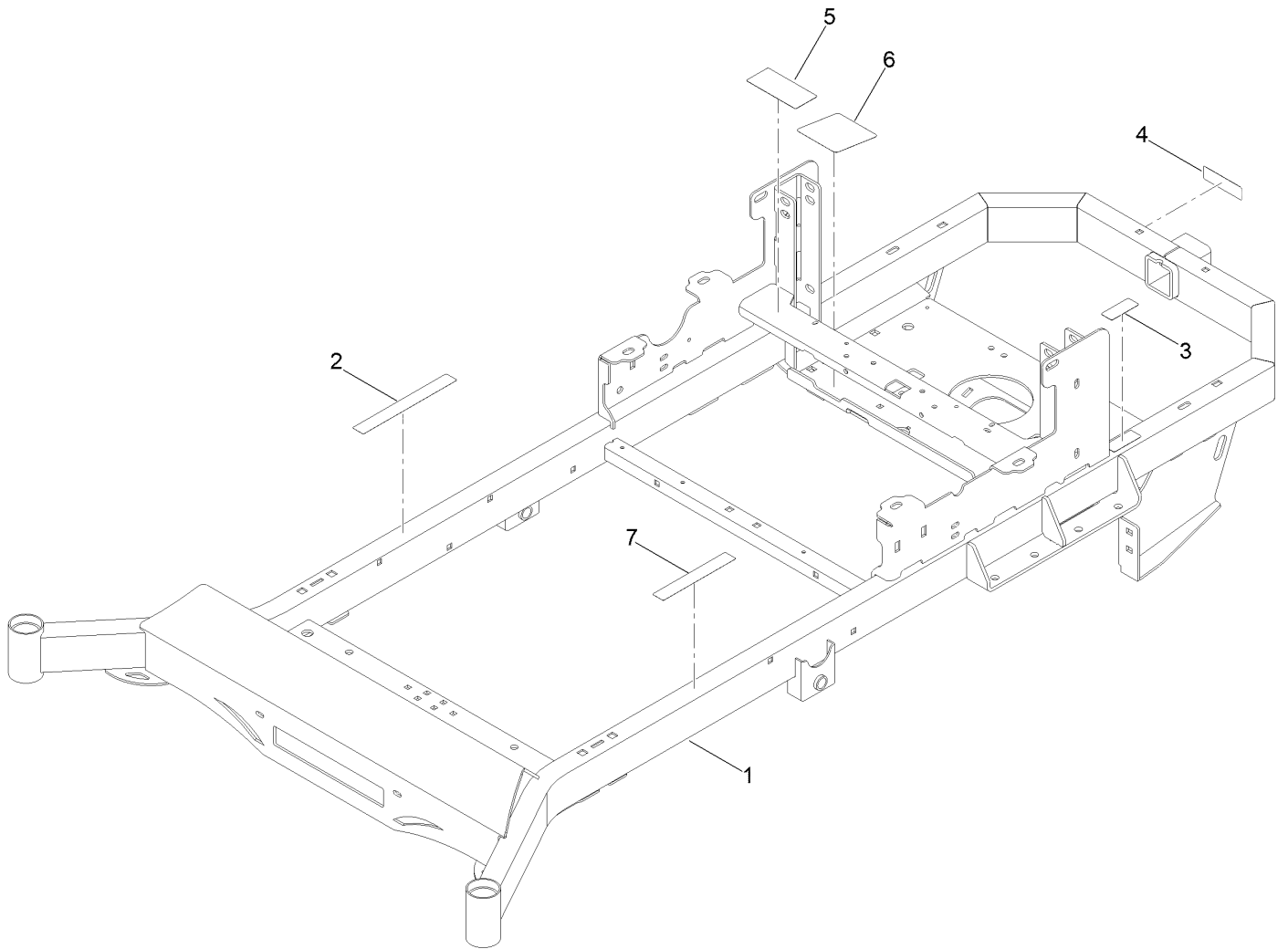
# Main Frame Assembly



## Main Frame Assembly (continued)

<i>Ref.</i>	<i>Part Number</i>	<i>Qty.</i>	<i>Description</i>	<i>Ref.</i>	<i>Part Number</i>	<i>Qty.</i>	<i>Description</i>
1	148-0997	1	Frame ASM-Decals	6	148-0233	1	ROPS
2	481-0005-00	1	Mwr Rubber Foot Rest Mat	7	413-0014-00	4	1/2-13 Hex Stover Locknut GR C Zinc
3	429-0002-00	2	Push-In Rubber Bumper Mwr Floor	8	418-0019-00	4	Bolt-HF
4	439-0007-00-P11	1	Mwr Floorboard Paint	9	414-0002-00	10	8MM Push Type Retainer Nylon Black
5	481-0006-00	1	Mwr Logo Floor Mat				

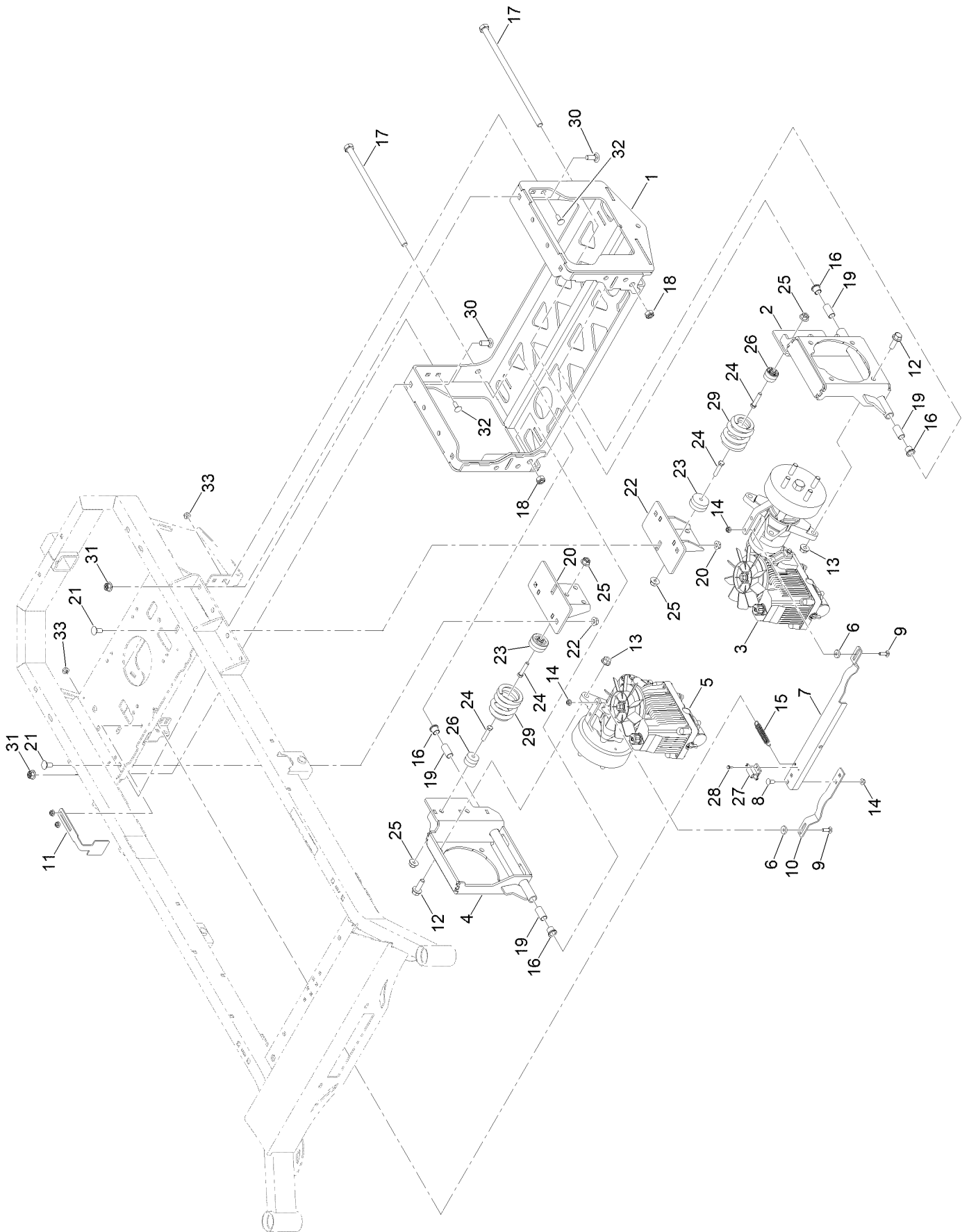
# Frame with Decals Assembly No. 148-0997



# Frame with Decals Assembly No. 148-0997 (continued)

<i>Ref.</i>	<i>Part Number</i>	<i>Qty.</i>	<i>Description</i>	<i>Ref.</i>	<i>Part Number</i>	<i>Qty.</i>	<i>Description</i>
1	148-0970-P11	1	Frame ASM-Ztr [gray]	5	125-6127	1	Decal-Rotating Fan Hazard
2	148-1095	1	Decal-Warning	6	148-0466	1	Decal-Pump Belt Routing-Parker
3	127-0392	1	Decal-Hot Surface	7	148-1094	1	Decal-Warning
4	147-7364	1	Decal-Hitch				

# Transmission Assembly

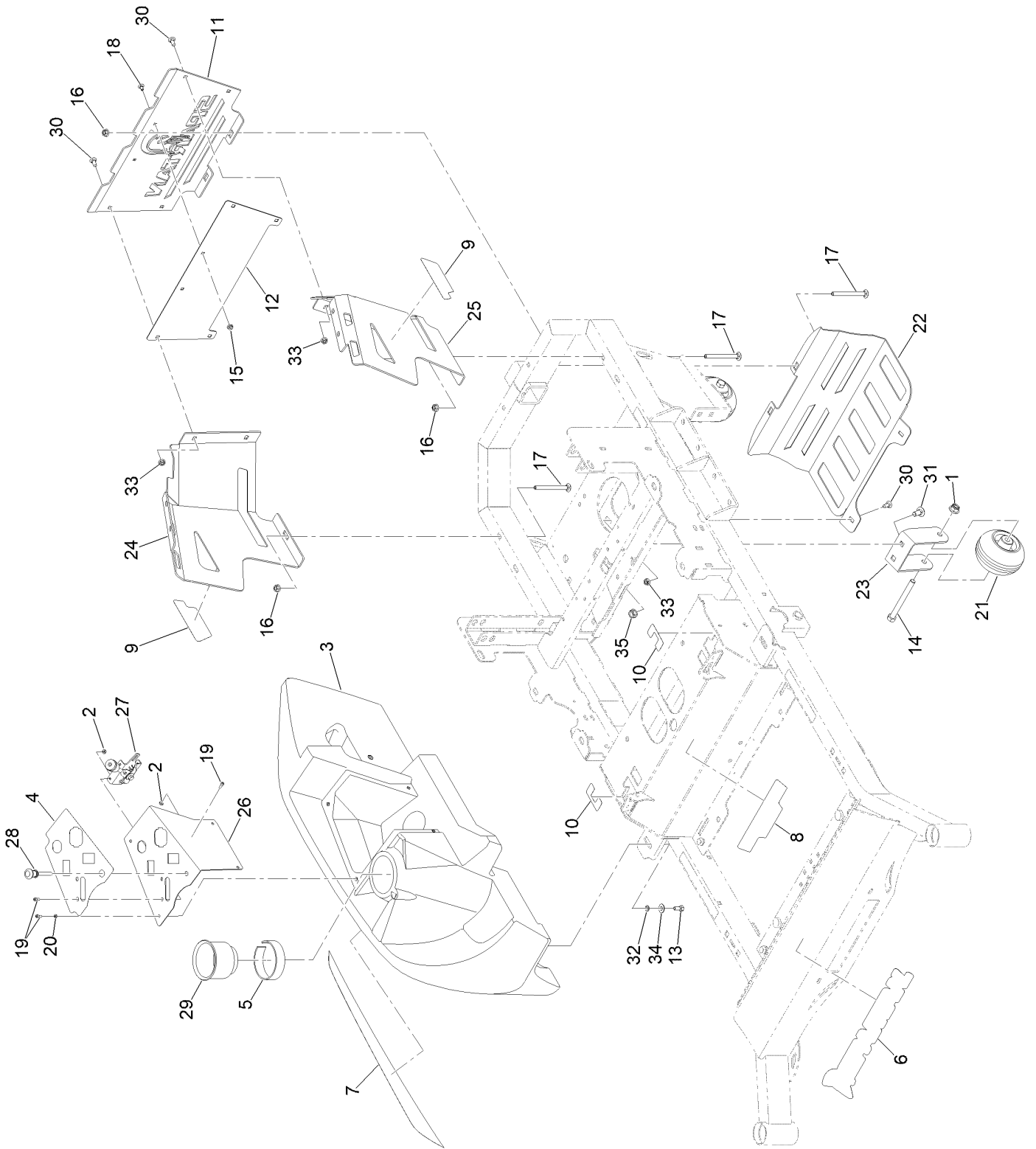




## Transmission Assembly (continued)

<i>Ref.</i>	<i>Part Number</i>	<i>Qty.</i>	<i>Description</i>	<i>Ref.</i>	<i>Part Number</i>	<i>Qty.</i>	<i>Description</i>
1	148-0991-P11	1	Hydro Frame ASM	18	413-0050-00	2	5/8-11 Nylon Insert Flange L/Nut Zinc
2	490-0009-00-P11	1	Mwr Lt Rr Susp Assy-Srt-Pro HD	19	410-0019-00	4	.625 ID X .750 OD X 1.500In Oi Bushing
3	450-0005-00	1	Htj12 Parker Lt Side Hydrostatic Transm	20	490-0069-00-P11	2	Mwr Susp Frame Brkt Assy Paint
4	490-0010-00-P11	1	Mwr Rt Rr Susp Assy-Srt-Pro HD Painted	21	3232-1	6	Screw-CARR
5	450-0006-00	1	Htj12 Parker Rt Side Hydrostatic Transm	22	413-0001-00	6	7/16-14 Hex Flange Nut W/Serr Zinc
6	419-0006-00	2	.312 ID X .875OD X .1875 THK F/W NYL	23	434-0010-00	2	Susp Spring Inside Guide
7	439-0607-00-P11	1	Mwr Park Brake Brkt Lt Paint	24	418-0051-00	4	3/8-16 X 1-3/4 Hex C/S GR 2 Zinc
8	418-0008-00	2	Bolt-CARR	25	413-0013-00	4	3/8-16 Nylon Insert Flange L/Nut Yz
9	418-0010-00	2	Bolt-CARR	26	434-0011-00	2	Susp Spring Outside Guide
10	439-0606-00-P11	1	Mwr Park Brake Brkt Rt Paint	27	486-0030-00	1	No Plunger Limit Switch
11	439-0066-00-P11	1	Stand Trans Brake Interlock Brkt Paint	28	418-0032-00	2	8-32 X 1/2 Ind. HWH Slot Type F Tcs Zinc
12	100-6116	8	Screw-HHF	29	587-0002-00	2	Srt Rr Susp Spring
13	32128-49	8	Nut-HHF	30	3233-1	4	Screw-CARR
14	413-0019-00	4	5/16-18 Nylon Insert Flange L/Nut Zc	31	413-1005-00	4	1/2-13 Hex Flange 2-Way Rev Cntr L/Nyz
15	434-0003-00	1	Mwr Brake Pedal Release Spring	32	418-0045-00	4	3/8-16 X 1 Carriage Bolt Yz GR.8
16	135-9063	4	Bushing-Flange	33	413-0029-00	4	Nut-Hex
17	418-0058-00	2	5/8-11 X 15In Hex C/S GR 2 Zc 3In Thd L				

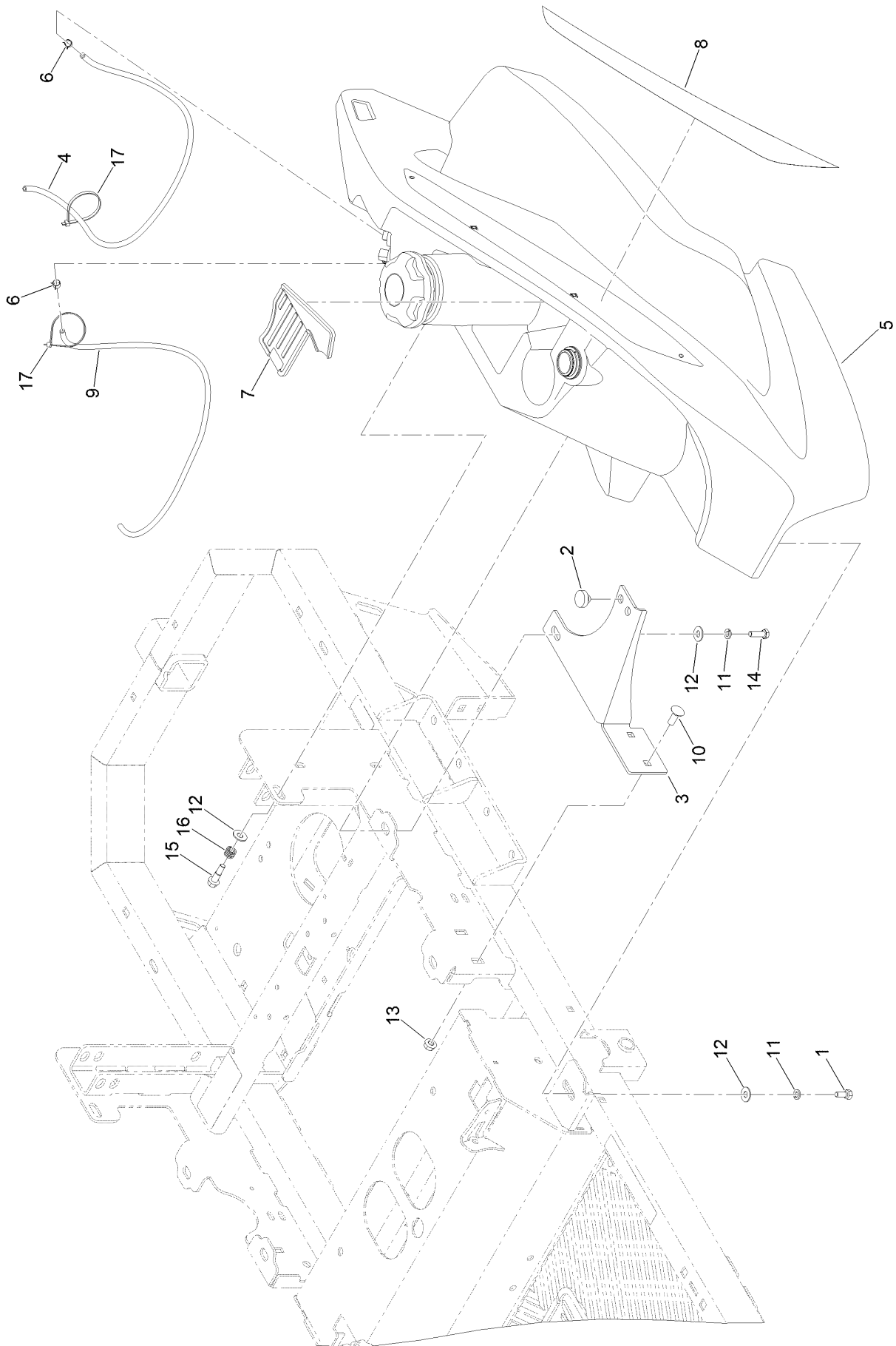
# Body Styling Assembly



## Body Styling Assembly (continued)

<i>Ref.</i>	<i>Part Number</i>	<i>Qty.</i>	<i>Description</i>	<i>Ref.</i>	<i>Part Number</i>	<i>Qty.</i>	<i>Description</i>
1	413-0002-00	2	Nut-Lock	20	419-0011-00	4	#10 Split Lockwasher 18-8 SS
2	110-3145	4	Nut-Lock	21	422-0061-00	2	Mwr Anti-Scalp Whl W/O Grease Fitting
3	148-0307	1	Console W/ Cupholder	22	148-1172-P11	1	Muffler Guard [gray]
4	148-1097	1	Decal-Control Panel	23	439-0138-00-P11	2	Mwr Stabilizer Mtg Brkt Paint
5	148-0770	1	Tape-Foam	24	439-0691-00-P11	1	2021 Rt/Srt Engr Cowling Rtpainted
6	148-0801	1	Decal-Spartan, Front	25	439-0692-00-P11	1	2021 Rt/Srt Engr Cowling Lt Painted
7	148-0845	1	Decal-Tank	26	148-1042-05	1	Rt 45 Key Mnt
8	148-0866	1	Decal-Srt-Xde Gt Trac Model	27	464-0001-00	1	Mwr Throttle Cable Assy W / Handle
9	148-0872	2	Decal-Cowling	28	464-0002-00	1	Mwr Choke Cable Assm
10	148-1056	2	Decal-Motion Control	29	780-2220-00	1	Cup Holder
11	148-1067-P11	1	Plate - Engine Cowling	30	418-0008-00	6	Bolt-CARR
12	148-1068-P12	1	Plate -Backer Plate	31	3232-1	4	Screw-CARR
13	418-0054-00	4	Screw-HH	32	3253-4	4	Washer-Lock
14	325-19	2	Screw-HH	33	413-0022-00	6	Nut-HF
15	413-0023-00	2	1/4-20 Hex Flange Nut W/Serr Zinc	34	419-0007-00	4	Washer-Flat
16	413-0029-00	4	Nut-Hex	35	32128-37	4	Nut-HF
17	418-0018-00	4	3/8-16 X 4 Carriage Bolt Zinc				
18	418-0031-00	2	1/4-20 X 1/2 Carriage Bolt,Yz				
19	418-0055-00	8	10-24 X 1/2 Socket C/S 18-8 SS				

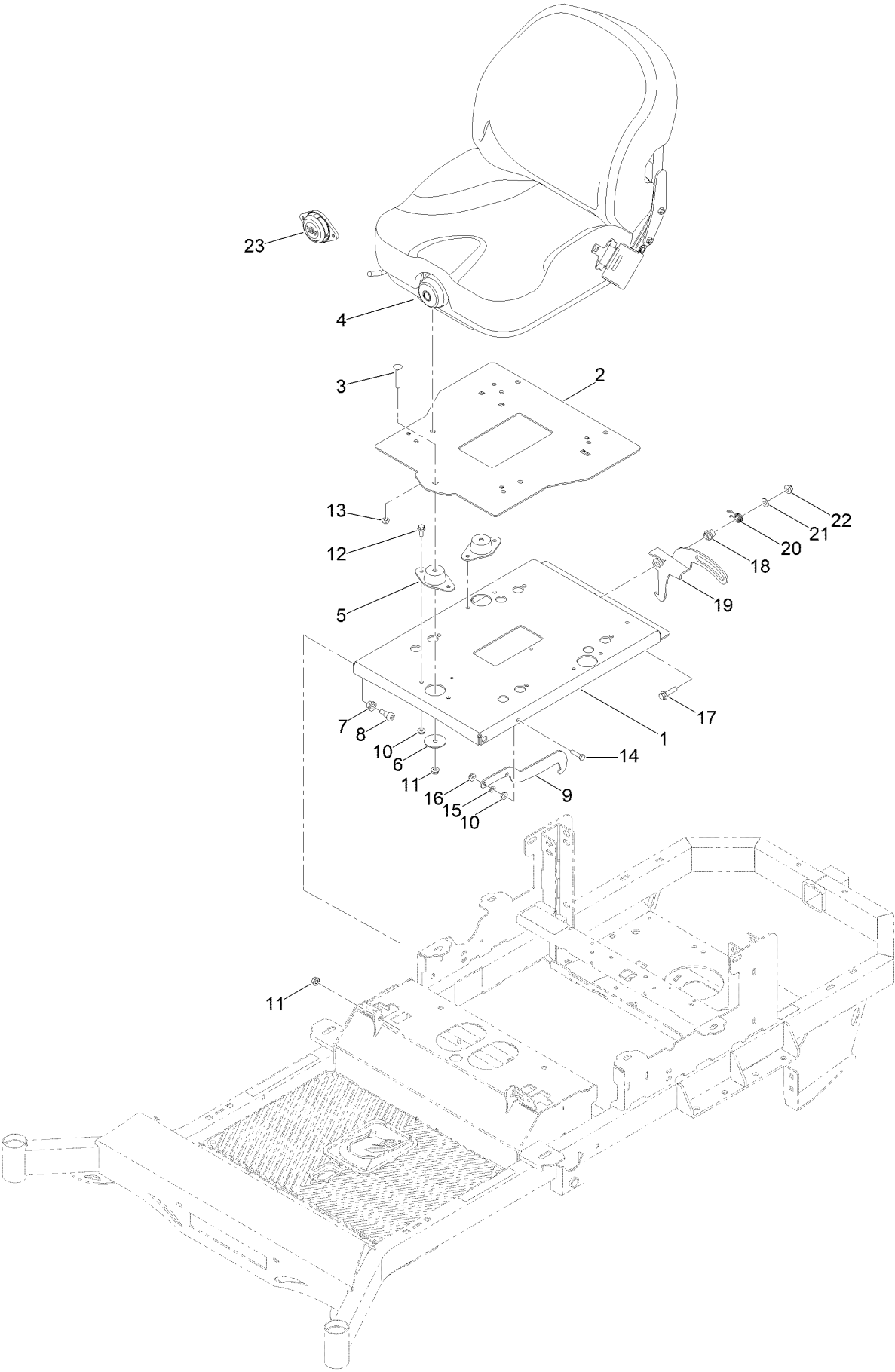
# Fuel Tank Assembly



## Fuel Tank Assembly (continued)

<i>Ref.</i>	<i>Part Number</i>	<i>Qty.</i>	<i>Description</i>	<i>Ref.</i>	<i>Part Number</i>	<i>Qty.</i>	<i>Description</i>
1	418-0054-00	2	Screw-HH	9	751-1014-00	10	1/4In SAE J30R7 Bulk Hose 1Ft
2	429-0002-00	2	Push-In Rubber Bumper Mwr Floor	10	418-0045-00	2	3/8-16 X 1 Carriage Bolt Yz GR.8
3	148-0478-P11	1	Bracket-Tank Support	11	3253-4	3	Washer-Lock
4	451-0002-00	10	Mwr Fuel Tank Black 3/16In Vent Tube 1Ft	12	419-0007-00	4	Washer-Flat
5	467-0001-00	1	Mwr Gasoline Fuel Tank Assy	13	413-0020-00	2	3/8-16 Hex Flange Nut W/Serr Zinc Yellow
6	472-0004-00	2	1/2In (#8) Hose Clamp	14	418-0108-00	1	Screw-HH
7	481-0004-00	1	Rubber Tank Storage Compartment Insert	15	418-0287-00	1	Screw-Shoulder,HHF
8	148-0844	1	Decal-Tank	16	434-0020-00	1	Spring-Compression
				17	3290-379	2	Tie-Cable

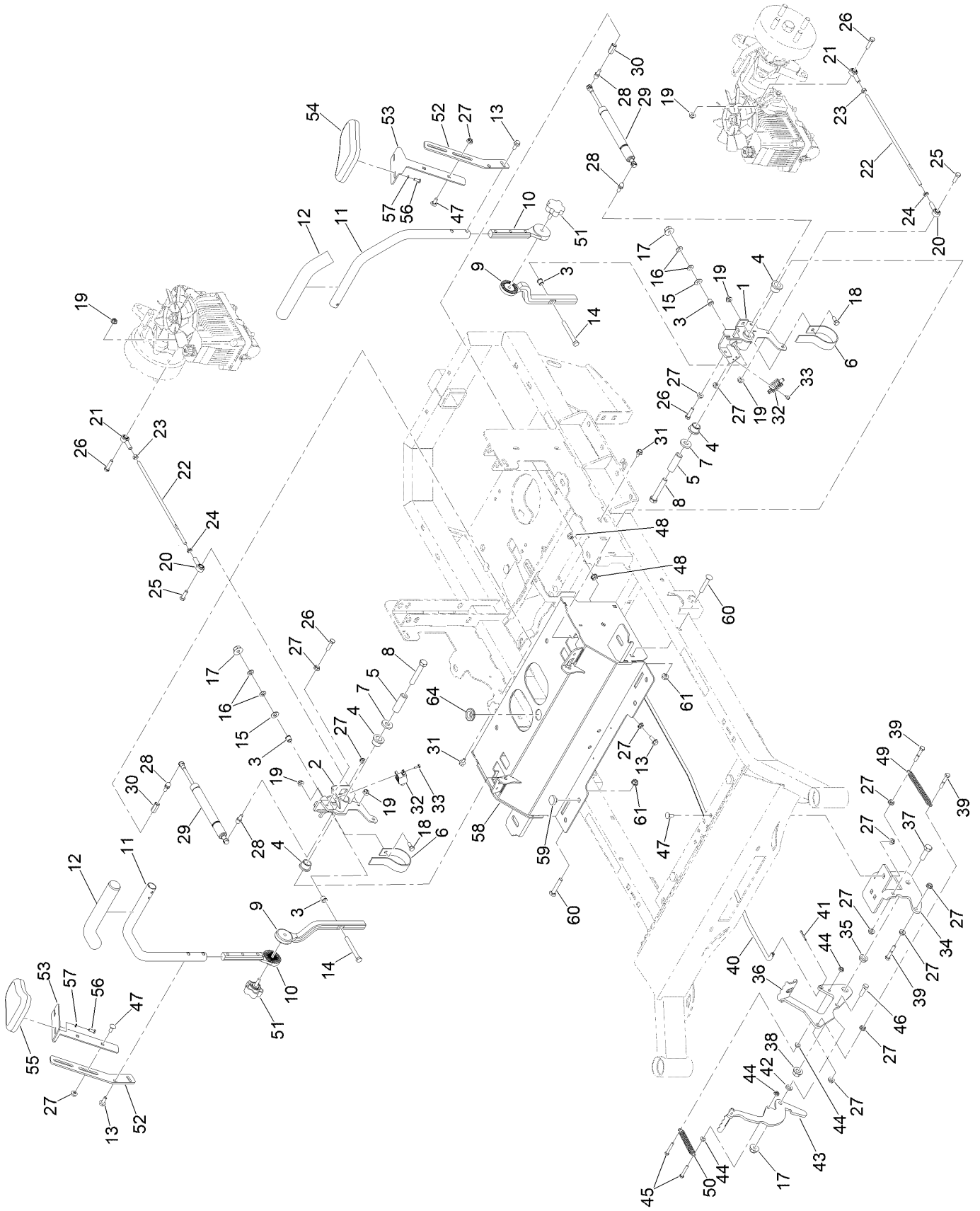
# Seat Assembly



## Seat Assembly (continued)

<i>Ref.</i>	<i>Part Number</i>	<i>Qty.</i>	<i>Description</i>	<i>Ref.</i>	<i>Part Number</i>	<i>Qty.</i>	<i>Description</i>
1	148-1048	1	360 Seat Base Plate Safty Decal ASM-P11	11	413-0029-00	5	Nut-Hex
2	426-0231-00-P11	1	2019 Upgrade Seat Plate Paint	12	116-7230	6	Screw-HHF
3	618-2023-00	3	Screw-CARR	13	413-0019-00	4	5/16-18 Nylon Insert Flange L/Nut Zc
4	471-0015-00	1	2019 Full Susp Seat	14	322-47	1	Screw-HH
5	487-0007-00	3	Floating Seat Damper-Stiffer	15	413-0016-00	1	.312Idx.625Odx.062 THK Thrust Brg Oi Brz
6	419-0022-00	3	3/8 X 2In OD Fender Washer Yz	16	413-0027-00	1	Nut-HF, NI
7	410-0010-00	2	1/2In ID X 5/8In OD X 1/2In Flange Bush	17	114-4681	1	Screw-HHF
8	418-0038-00	2	1/2 X 1/2 Socket Shoulder Bolt Zc Yellow	18	107-0075	1	Bushing-Latch, Seat
9	439-0065-00-P11	1	Mwr Seat Latch Hook Paint	19	148-0953	1	Bracket-Latch
10	413-0022-00	7	Nut-HF	20	126-8923	1	Spring-Torsion, Latch
				21	3256-24	1	Washer-Plain
				22	104-8301	1	Nut-HF, NI
				23	486-0036-00	1	Mwr Seat Switch

# Motion Control and Parking Brake Assembly

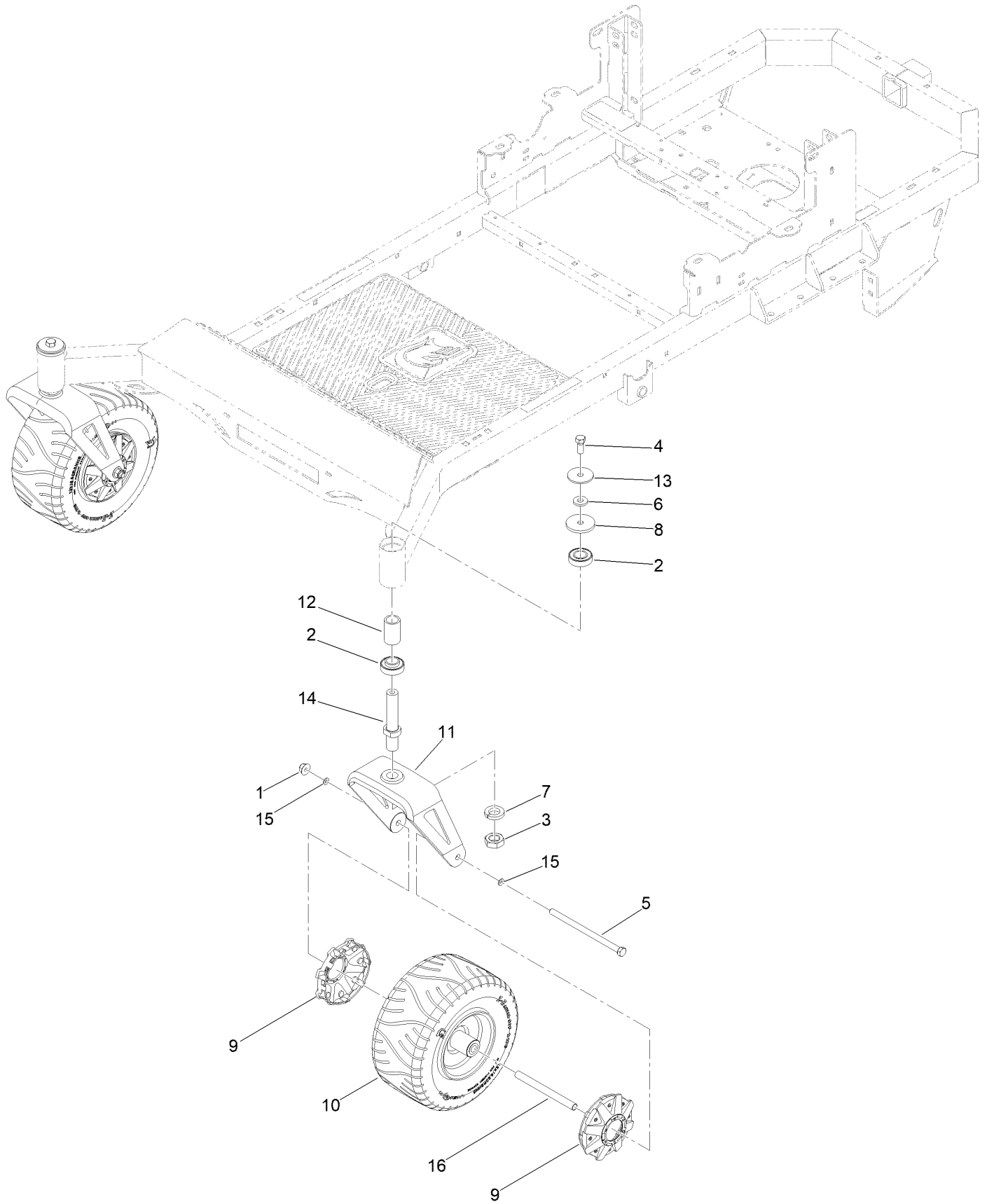




# Motion Control and Parking Brake Assembly (continued)

Ref.	Part Number	Qty.	Description	Ref.	Part Number	Qty.	Description
1	148-0888-05	1	LH Pivot ASM	35	410-0009-00	1	1/2In ID X 3/4In OD X 3/8In Flange Bush
2	148-0889-05	1	RH Pivot ASM	36	490-0016-00-P11	1	Mwr Brake Lock Lever Assy Painted
3	148-0886	4	Bushing-Flange	37	139-2631	1	Screw-HH
4	148-0897	4	Bushing-Flange	38	413-0002-00	1	Nut-Lock
5	148-0885	2	Sleeve-Pivot	39	418-0027-00	3	Bolt-HH
6	109-5575	2	Spring-Leaf	40	435-0004-00	1	Mwr Brake Linkage
7	419-0003-00	2	1/2 Fender Washer 1-1/4In OD Zinc	41	3272-11	1	Pin-Cotter
8	418-0050-00	2	1/2-13 X 3 Hex C/S GR 5 Zinc W/Loctite	42	413-0052-00	1	3/8 ID X 3/4 OD X .125 THK Bronze Washer
9	431-0002-00	2	Adjustable Lwr Drive Arm	43	490-0017-00-P11	1	Mwr Brake Unlock Lever Assy Painted
10	431-0003-00	2	Adjustable Upp Drive Arm	44	413-0012-00	4	1/4-20 Hex Flange Nut
11	403-0020-10-P11	2	Mower Drive Handle Tube Abc	45	418-0029-00	2	1/4-20 X 1-1/4 Hex C/S GR 2 Zinc
12	484-0001-00	2	Control Arm Handle Grip	46	323-7	1	Screw-HH
13	116-7230	6	Screw-HHF	47	418-0008-00	7	Bolt-CARR
14	323-20	2	Screw-HH	48	413-0020-00	2	3/8-16 Hex Flange Nut W/Serr Zinc Yellow
15	419-0007-00	2	Washer-Flat	49	434-0015-00	1	2020 Mwr Brake Pedal Tension Spring
16	148-1012	4	Washer-Belleville	50	434-0003-00	1	Mwr Brake Pedal Release Spring
17	413-0013-00	3	3/8-16 Nylon Insert Flange L/Nut Yz	51	148-0228	2	5/16-18 X 1 SI 5-Lobe Male ST Knob 1.90
18	418-0054-00	2	Screw-HH	52	439-0010-00-P11	2	Mwr Arm Pad Tube Mtg Brkt Painted
19	413-0027-00	6	Nut-HF, NI	53	439-0011-00-P11	2	Mwr Arm Pad Mtg Brkt Painted
20	410-0070-00	2	5/16-24 Spher Rod End Zinc LH Thd Fem	54	471-0028-00	1	2020 Mwr Drive Arm Support Pad Lt
21	410-0071-00	2	5/16-24 Spher Rod End Zinc RH Thd Fem	55	471-0029-00	1	2020 Mwr Drive Arm Support Pad Rt
22	435-0033-00	2	1310 Ttq Drive Arm Rod	56	3274-31	4	Screw-HSBH
23	09207	2	Nut	57	419-0012-00	4	1/4 EXT Tooth Lockwasher Zinc
24	3220-20	2	Nut-Jam	58	148-0911-P11	1	ASM, Gt-Trac [gray]
25	AU426-516	2	Screw-HH	59	429-0002-00	2	Push-In Rubber Bumper Mwr Floor
26	322-47	4	Screw-HH	60	618-2023-00	4	Screw-CARR
27	413-0022-00	19	Nut-HF	61	413-0029-00	4	Nut-Hex
28	487-0005-00	4	5/16-18X1.286 Damper Ball Stud (.562 TI)	64	240-6	1	Grommet-Rubber
29	487-0001-00	2	Control Arm Damper				
30	613-0065-00	2	Standoff-Hex				
31	3234-28	2	Screw-HHF				
32	486-0030-00	2	No Plunger Limit Switch				
33	418-0032-00	4	8-32 X 1/2 Ind. HWH Slot Type F Tcs Zinc				
34	439-0009-00-P11	1	Mwr Frame Brake Mtg Brkt Paint				

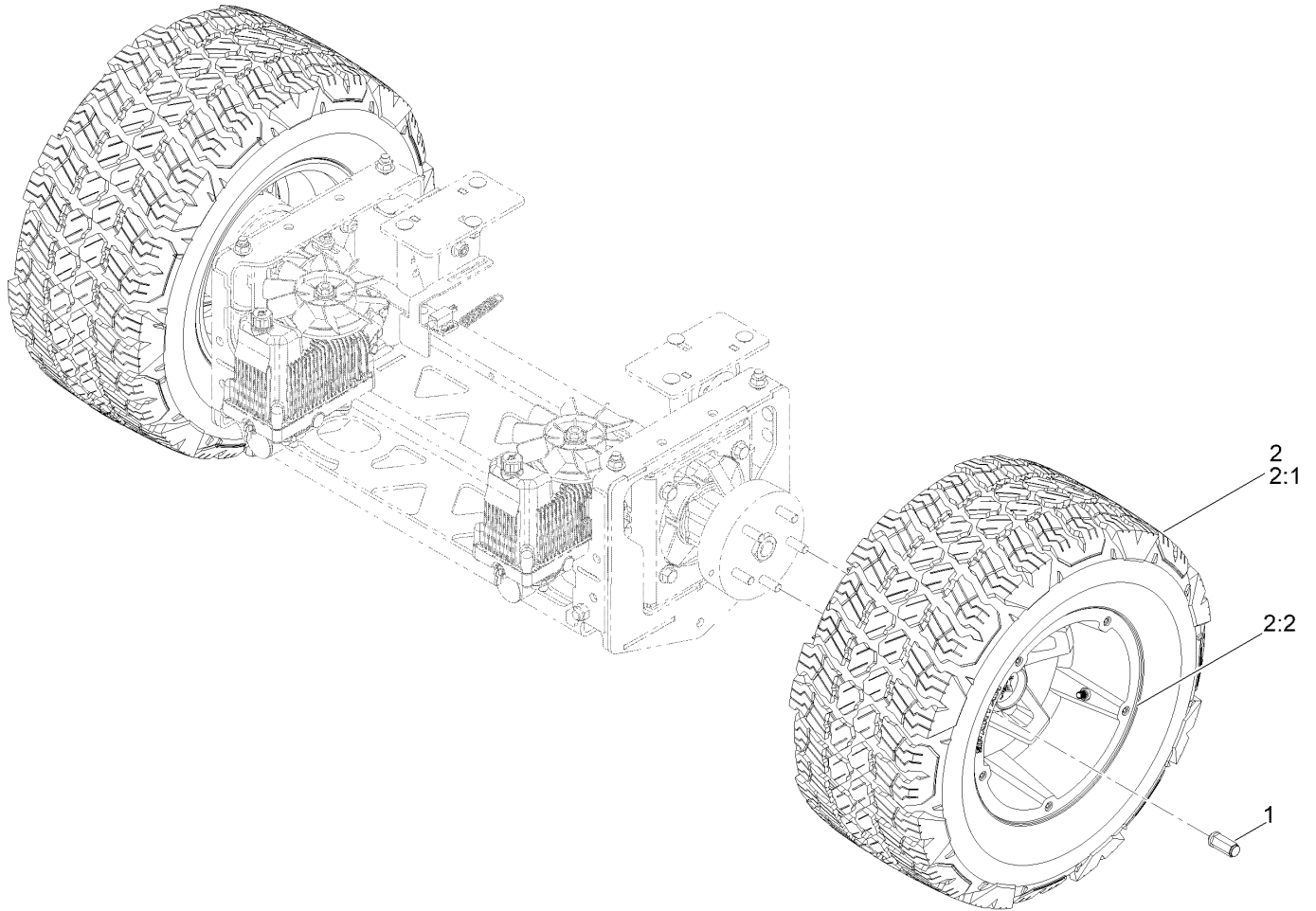
# Caster Tire Assembly



## Caster Tire Assembly (continued)

<i>Ref.</i>	<i>Part Number</i>	<i>Qty.</i>	<i>Description</i>	<i>Ref.</i>	<i>Part Number</i>	<i>Qty.</i>	<i>Description</i>
1	413-0002-00	2	Nut-Lock	9	422-0024-00	4	Mwr Ft Wheel Hub Cap
2	103-3540	4	Bearing-Ball	10	422-0042-00	2	Spartan Radial Ft Tire And Wheel Assm
3	413-0063-00	2	Nut-Hex	11	423-0001-00-P11	2	Rt And Srt Caster Wheel Fork
4	418-0002-00	2	1/2-20 X 1-1/4 Hex Flange Bolt GR 8 Yz	12	425-0011-00	2	Caster Fork Shaft Bearing Spacer
5	418-0003-00	2	1/2-13 X 8-1/2 Hex C/S GR 5 Zinc Yellow	13	426-0006-00-P11	2	Mwr Caster Shaft Washer
6	419-0003-00	2	1/2 Fender Washer 1-1/4In OD Zinc	14	437-0019-00	2	Mwr Caster Shaft
7	419-0024-00	2	1In L/W Med Split Zc	15	515-0038	4	Washer-Flat
8	419-0025-00	2	Ft Hub Plastic Washer	16	425-0010-00	2	Mwr Ft Wheel Spanner

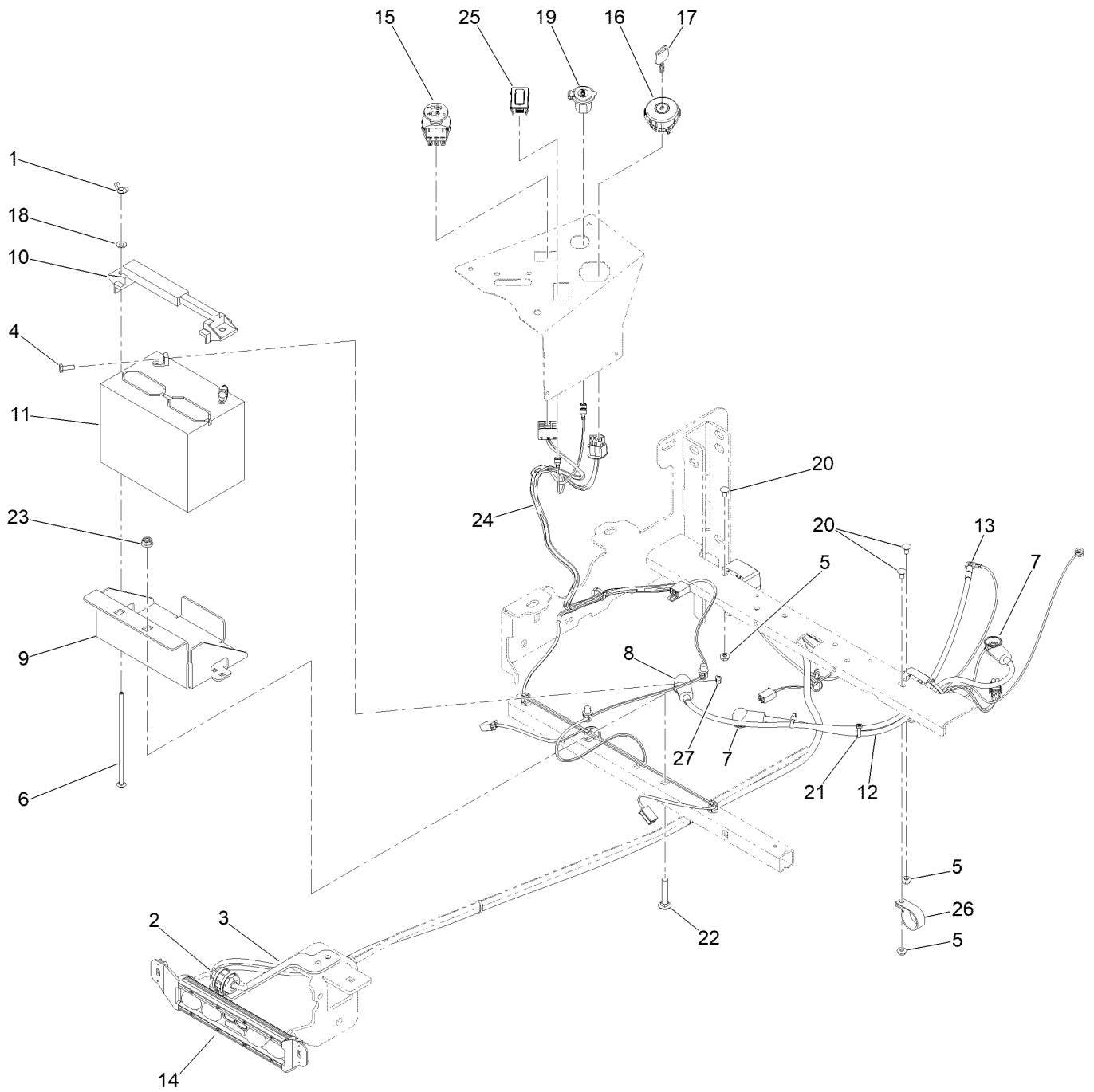
# Drive Wheel Assembly



## Drive Wheel Assembly (continued)

<i>Ref.</i>	<i>Part Number</i>	<i>Qty.</i>	<i>Description</i>	<i>Ref.</i>	<i>Part Number</i>	<i>Qty.</i>	<i>Description</i>
1	613-0001-00	10	Lug Nuts	2:1	422-0006-00	1	24 X 14 R12 Soft Ride Radial Tire Only
2	422-0005-00	2	2019 Mwr Xd Wheel And 24X14-R12 Tire	2:2	422-0007-00	1	12 X 8.5 416 Style Wheel Only

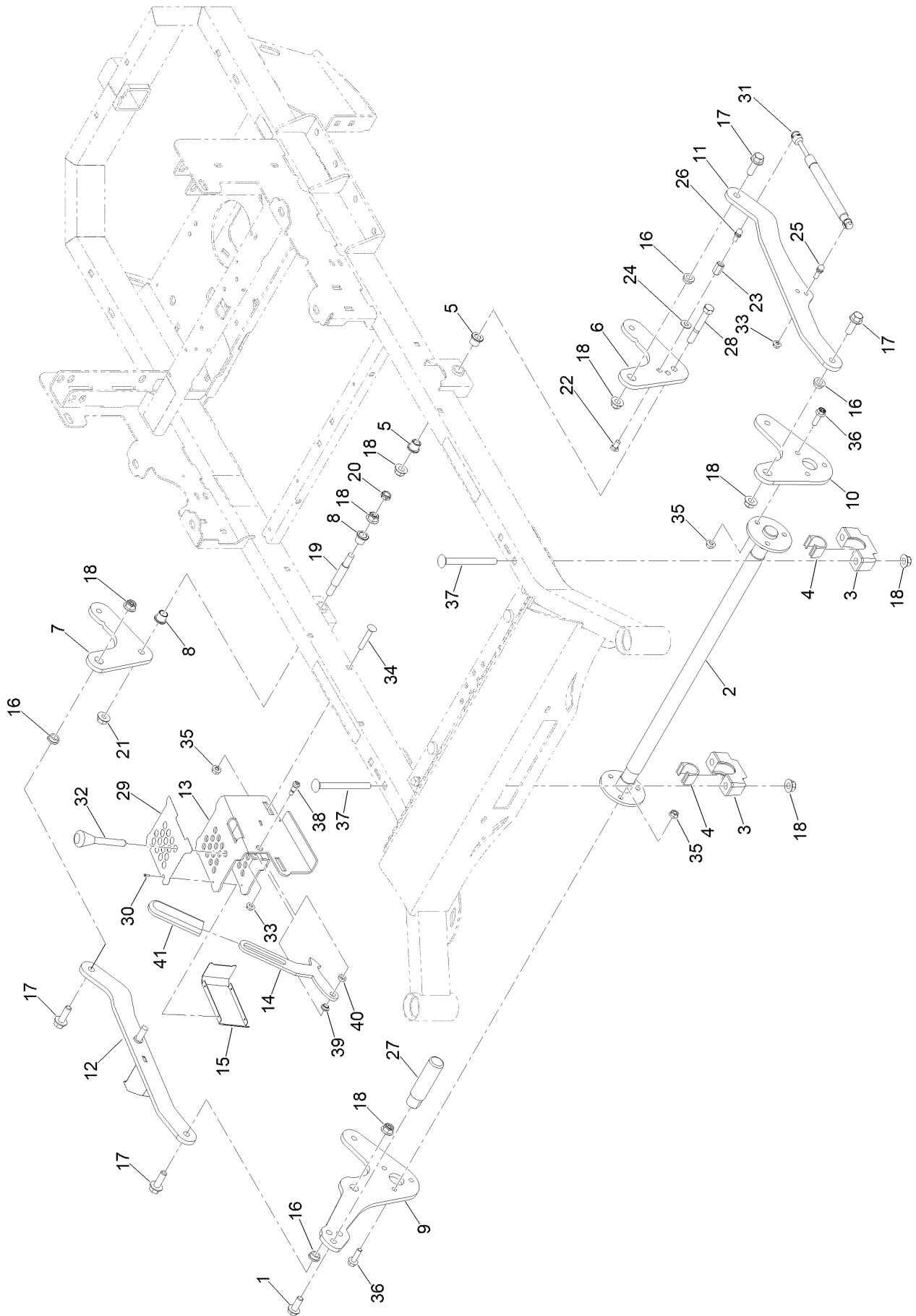
# Electrical Assembly



## Electrical Assembly (continued)

<i>Ref.</i>	<i>Part Number</i>	<i>Qty.</i>	<i>Description</i>	<i>Ref.</i>	<i>Part Number</i>	<i>Qty.</i>	<i>Description</i>
1	1-803038	2	Wingnut	13	486-0017-00	1	Mwr Negative Cable 28
2	148-0191	1	Fair-Rite Round Cable Snap-It Size B	14	486-0042-00	1	Full Beam With Lighted Helmet Light Bar
3	148-0219-05	1	Fair-Rite Bracket Painted	15	486-0060-00	1	PTO Switch
4	321-4	2	Screw-HH	16	486-0062-00	1	Ignition Switch
5	413-0012-00	3	1/4-20 Hex Flange Nut	17	486-0065-00	1	2023 Mwr Key
6	418-0034-00	2	1/4-20 X 7 Carriage Bolt Zinc	18	515-0038	2	Washer-Flat
7	436-0002-00	2	3.15 Lgth Straight Insul Term Cover Red	19	677-2075-00	1	12 Volt Auxilliary Plug
8	436-0003-00	1	Straight Insulating Terminal Cover	20	3229-10	3	Screw-CARR
9	439-0008-00-P11	1	Mwr Battery Box	21	3290-379	13	Tie-Cable
10	443-0001-00	1	Battery Hold Down	22	3231-6	2	Screw-CARR
11	468-1004-00	1	12 Volt Start Battery 300CCA	23	413-0020-00	2	3/8-16 Hex Flange Nut W/Serr Zinc Yellow
12	486-0016-00	1	Mwr Positive Battery Cable 25In	24	148-1028	1	Harness-Wire
				25	148-1063	1	Hour Meter
				26	472-0001-00	1	1-1/4In Cushioned Loop Clamp Black
				27	104-7201	2	Nut-HF, NI

# Decklift Assembly

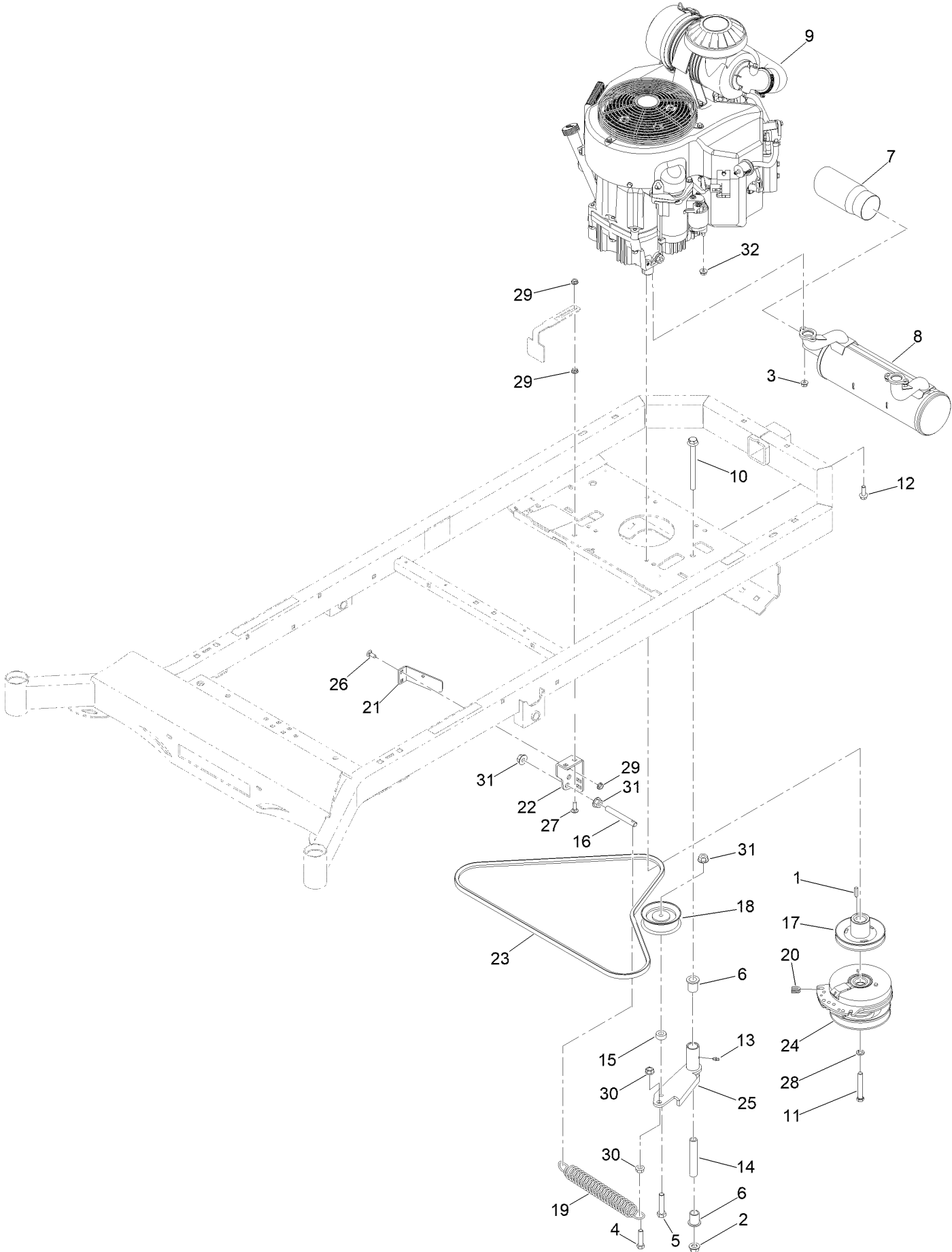




## Decklift Assembly (continued)

<i>Ref.</i>	<i>Part Number</i>	<i>Qty.</i>	<i>Description</i>	<i>Ref.</i>	<i>Part Number</i>	<i>Qty.</i>	<i>Description</i>
1	148-0095	1	1/2-13X1.25In Hex Flange Bolt (GR.8) Yz	23	148-0422	1	Hex Coupling Nut - Reducer (3/8" To 5/16
2	148-1074	1	Decklift ASM-Front	24	419-0007-00	1	Washer-Flat
3	148-1085	2	Support-Bearing Housing	25	487-0008-00	1	5/16-18X1.286 Damper Ball Stud (.562 TI)
4	109-9410	2	Bearing-Cross Shaft, Front	26	487-0005-00	1	5/16-18X1.286 Damper Ball Stud (.562 TI)
5	135-5694	2	Bushing-Flange	27	148-0951	1	Pedal
6	148-1003-P11	1	(Rz Rear HOC Hanger)	28	418-0042-00	1	1/2-13 X 3-1/2 Hex C/S GR 5 Zinc Yellow
7	148-0418-P11	1	Arm-Decklift Rear (3/8")	29	148-1036	1	Decal-Height Of Cut
8	135-9063	2	Bushing-Flange	30	923786	4	Rivet
9	148-0950-P11	1	Lever-Lift	31	434-0001-00	1	Deck Assist Gas Spring
10	148-1075-P11	1	Plate-Decklift, Arm LH [gray]	32	420-0009-00	1	Magnetic Pin For Stand On Mwr
11	148-0940-P11	1	Link-HOC(Left Side)	33	413-0022-00	2	Nut-HF
12	148-0941-P11	1	Link ASM-HOC(Right Side Welded)	34	618-2023-00	2	Screw-CARR
13	148-0946-P11	1	Bracket-HOC ASM [gray]	35	413-0029-00	8	Nut-Hex
14	148-0943	1	Plate-Transport Lock	36	148-1087	6	Screw-HHF
15	148-0949-P11	1	Cover-HOC	37	148-1080	4	Screw-CARR
16	410-0009-00	4	1/2In ID X 3/4In OD X 3/8In Flange Bush	38	418-0083-00	1	3/8 X 1/2 Socket Shoulder Bolt Yz
17	100-6116	4	Screw-HHF	39	148-1211	1	Bushing-Flange
18	413-1005-00	10	1/2-13 Hex Flange 2-Way Rev Cntr L/Nyz	40	148-1212	1	Washer-Plain
19	418-0276-00	1	Rr Deck Height Bolt (Machined)	41	484-0002-00	1	Stand Up Mwr Brake Arm Grip
20	3296-45	1	Nut-Hex				
21	32128-49	1	Nut-HHF				
22	618-2068-00	1	3/8 X 3/4In GR 8 CARR Bolt Zinc				

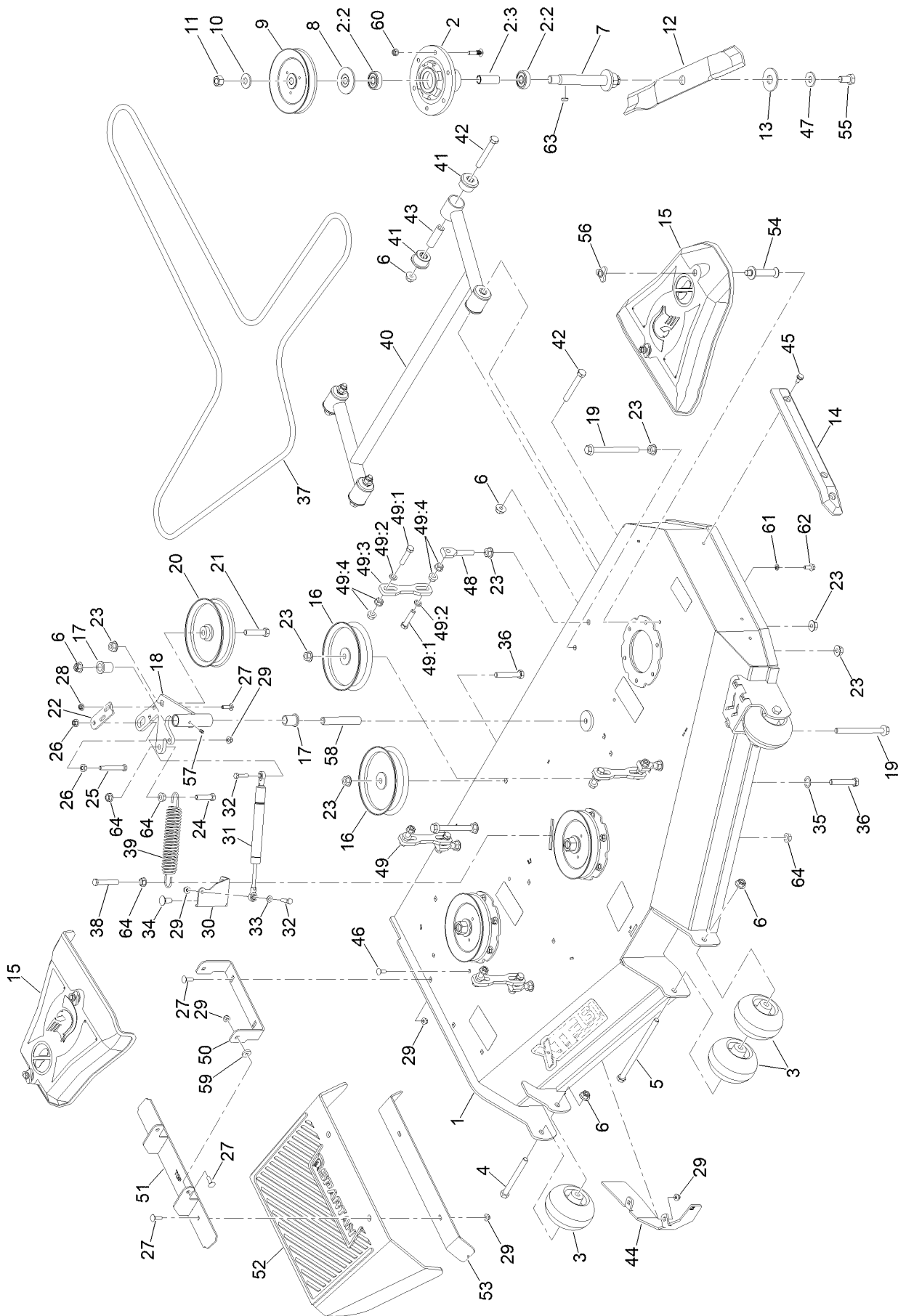
# Engine Assembly



## Engine Assembly (continued)

<i>Ref.</i>	<i>Part Number</i>	<i>Qty.</i>	<i>Description</i>	<i>Ref.</i>	<i>Part Number</i>	<i>Qty.</i>	<i>Description</i>
1	1-807259	1	Key	17	433-0001-00	1	Mwr Hydraulic Pump Drive Pulley (A Belt)
2	413-0002-00	1	Nut-Lock	18	433-0012-00	1	4In Diesel And Economy Mwer Idler Pulley
3	104-2612	4	Nut-HF	19	434-0007-00	1	Mwr Deck Spring
4	324-7	1	Screw-HH	20	437-0025-00	1	Mwr Clutch Rotation Stop Brkt Sleeve
5	325-9	1	Screw-HH	21	439-0132-00-05	1	Mwr Clutch Antirotation Brkt Black
6	410-0007-00	2	3/4In ID X15/16In OD X 1-1/8In Flng Bush	22	439-0244-00-05	1	Mwr Pump Idler Tensioning Brkt Black
7	415-0054-00	1	Mwr Chrome Exhaust Tip	23	461-0005-00	1	Pump Belt Srt Models A X 69.25In Eff L
8	415-0065-00	1	Exhaust Systemkawi Fx801/Fx850/Fx850EFI	24	470-0002-00	1	Warner PTO Clutch
9	415-0089-00	1	Kawasaki Fx801V Engn	25	490-0814-00-05	1	4In Pump Idler Pulley Arm Assy
10	418-0009-00	1	1/2-13 X 5-1/2 Hex Flange Bolt GR 8 Zy	26	418-0008-00	2	Bolt-CARR
11	418-0022-00	1	7/16-20 X 3 Hex C/S GR 8 Zc Yellow	27	418-0010-00	2	Bolt-CARR
12	418-0023-00	4	3/8-16 X 1-1/8 Ind HWH W/Serr Tri Lob Zy	28	3253-6	1	Washer-Lock
13	424-0002-00	1	1/4In Drive Type Grease Fitting Yz	29	413-0022-00	6	Nut-HF
14	425-0006-00	1	Mwr Inner Idler Spacer	30	32128-37	2	Nut-HF
15	425-0007-00	1	Mwr Pulley Spacer	31	32128-49	3	Nut-HHF
16	430-0001-00	1	Mwr Pump Idler Spring Tensioner	32	112-2844	1	Nut-HF

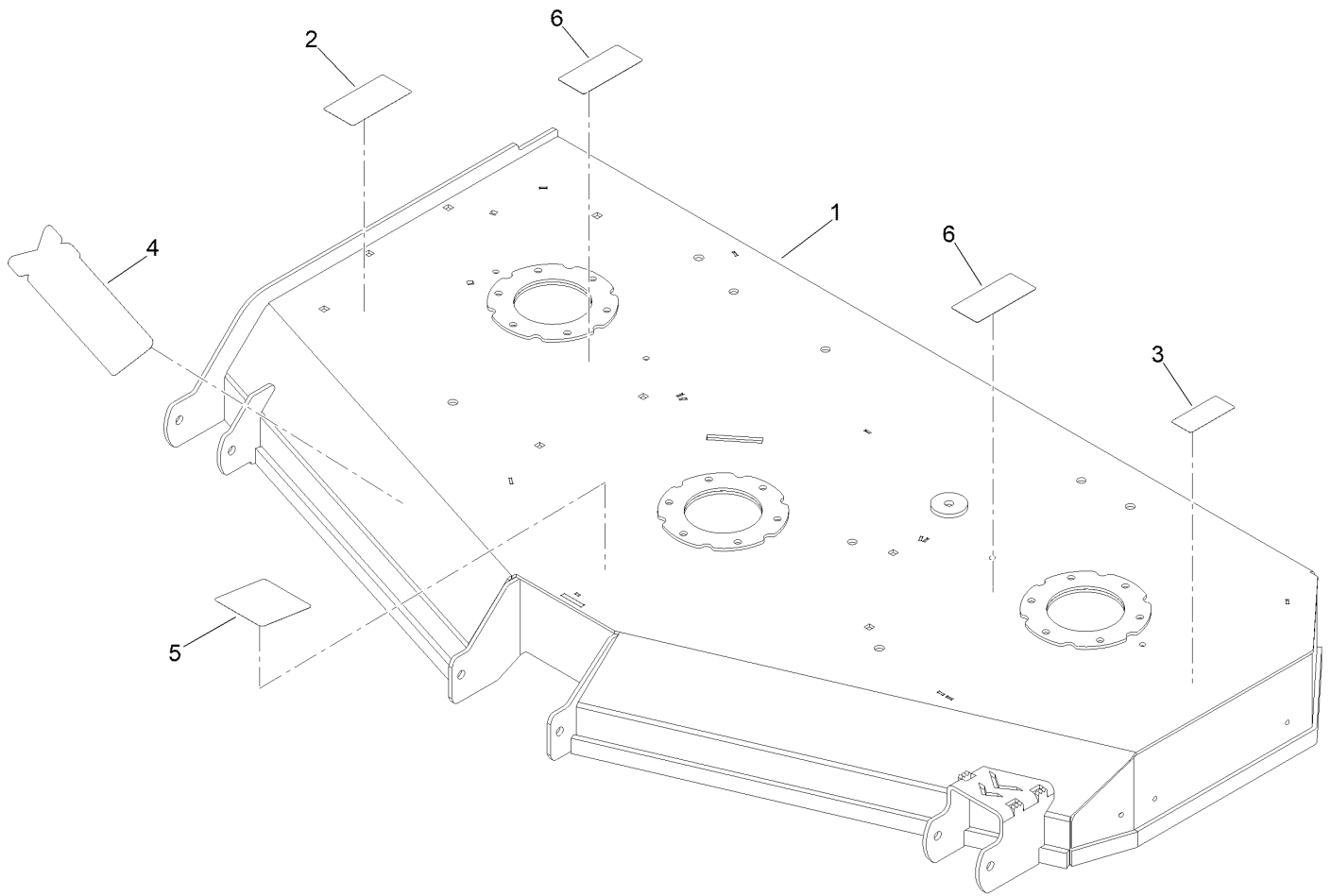
# 61 Inch Cutting Deck Assembly



## 61 Inch Cutting Deck Assembly (continued)

<i>Ref.</i>	<i>Part Number</i>	<i>Qty.</i>	<i>Description</i>	<i>Ref.</i>	<i>Part Number</i>	<i>Qty.</i>	<i>Description</i>
1	148-0787	1	ASM-Deck W/Decals	35	418-0110-00	1	.767ldx1.125Odx.016 THK Trip Wv Washer
2	148-0005	3	Spindle ASM 6" Deck	36	418-0246-00	2	1/2-13 X 2-3/4 Hex Flange Bolt (GR.8) Yz
2:2	116-0720	2	Bearing-Ball	37	461-0002-00	1	61 Deck Belt
2:3	148-0026	1	Spacer, Bearing	38	418-0013-00	1	Bolt-HH
3	422-0061-00	4	Mwr Anti-Scalp Whl W/O Grease Fitting	39	434-0007-00	1	Mwr Deck Spring
4	418-0016-00	2	Screw-HH	40	490-0014-00-P11	1	54In/61In Deck Frame Stabilizer Painted
5	418-0015-00	1	1/2-13 X 8-1/2 Hex C/S GR 2 Zinc Yellow	41	732-2000-00	8	Red A80 Susp Bushing
6	413-0002-00	8	Nut-Lock	42	418-0021-00	4	1/2-13 X 3-3/4 Hex C/S (GR.5) Zc/Yel
7	148-0106	3	Shaft - Spindle	43	732-2001-00	4	UTV A-Arm Bushing Sleeve
8	116-1286	3	Guard,Bearing Top .989	44	148-0208-P11	1	Baffle-Wiper
9	148-0030	3	Pulley	45	9264964	3	Screw-HWH, Thread Cut
10	148-0113	3	M20 Spring Washer (44.5Mmod/ 3.3MM THK)	46	418-0008-00	2	Bolt-CARR
11	148-0111	3	M20X1.5 C8.8 Hex Nut	47	148-0114	3	M16 Spring Washer (39Mmod/ 3.9MM THK)
12	148-0099	3	Blade-Rotary	48	448-0001-00	4	Mwr Deck Height Adjustment Stud
13	148-0108	3	Washer-Hex	49	435-0007-KT	4	Mwr Deck Susp Link Assy
14	429-0001-00	1	Mwr Nylon Deck Guard	49:1	435-0007-00-P11	1	Mwr Deck Susp Link Paint
15	148-0093	2	Cover-Belt	49:2	324-8	2	Screw-HH
16	433-0015-00	2	6-3/4In Idler Pulley 15/16In Spacer Assy	49:3	419-0010-00	2	.443 ID X .749 OD X .125 THK Nylon Black
17	410-0007-00	2	3/4In ID X15/16In OD X 1-1/8In Flng Bush	49:4	32128-37	4	Nut-HF
18	490-0019-00-P11	1	Mwr Deck Idler Pulley Arm Assy Paint	50	439-0111-00-P11	1	Mwr Chute Mtg Brkt Painted
19	418-0009-00	3	1/2-13 X 5-1/2 Hex Flange Bolt GR 8 Zy	51	490-0056-00-P11	1	Rt/Srt Deck Chute Hinge Assy Paint
20	433-0014-00	1	6-3/4In Idler Pulley 7/16In Spacer ASM	52	481-0011-00	1	2020 Rt/Srt Rubber Discharge Chute
21	325-9	1	Screw-HH	53	439-0190-00-P11	1	2020 Deck Chute Hinge Backer Brkt Paint
22	439-0257-00-P11	1	Deck Idler Pulley Belt Retnr Brkt Paint	54	148-0094	4	Pin-Belt Cover
23	32128-49	15	Nut-HHF	55	148-0109	3	M16X1.5-30MM C10.9 Hex Bolt
24	324-7	1	Screw-HH	56	148-0234	4	Nut-Knob
25	323-13	1	Screw-HH	57	424-0002-00	1	1/4In Drive Type Grease Fitting Yz
26	413-0020-00	2	3/8-16 Hex Flange Nut W/Serr Zinc Yellow	58	425-0006-00	1	Mwr Inner Idler Spacer
27	418-0060-00	8	5/16-18 X 1 Carriage Bolt GR 8 Yz	59	419-0006-00	2	.312 ID X .875OD X .1875 THK F/W NYL
28	413-0022-00	2	Nut-HF	60	413-0029-00	18	Nut-Hex
29	413-0027-00	10	Nut-HF, NI	61	3253-4	4	Washer-Lock
30	439-0335-00-P11	1	Deck Belt Idler Damper Mtg Brkt Painted	62	116-7230	4	Screw-HHF
31	434-0009-00	1	Idler Gas Spring	63	148-0118	3	6MM X 6MM X 20MM Rounded Machine Key
32	322-47	2	Screw-HH	64	32128-37	5	Nut-HF
33	413-0016-00	1	.312ldx.625Odx.062 THK Thrust Brg Oi Brz				
34	3232-1	1	Screw-CARR				

# Deck Decal Assembly No. 148-0787

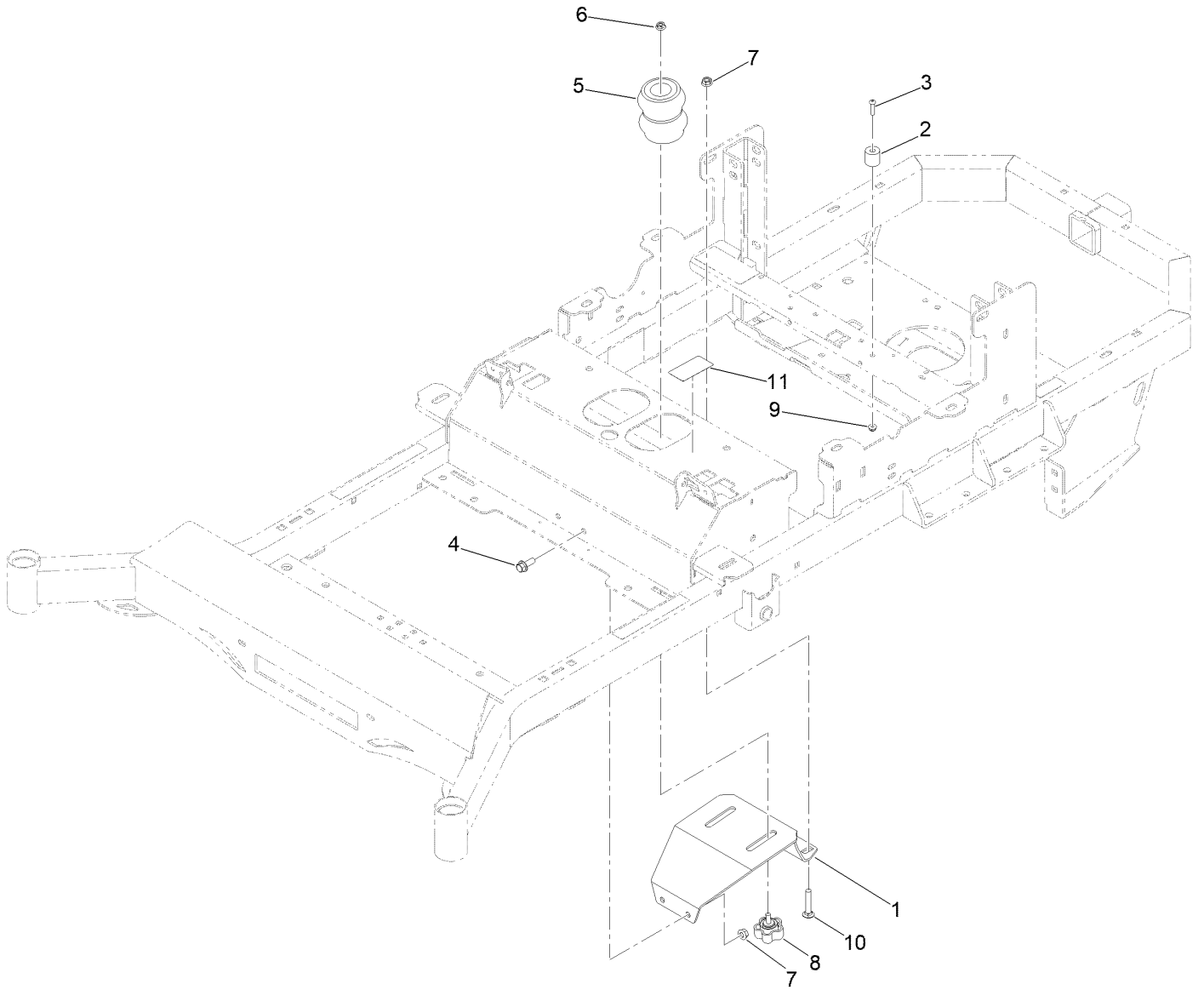


## Deck Decal Assembly No. 148-0787 (continued)

<i>Ref.</i>	<i>Part Number</i>	<i>Qty.</i>	<i>Description</i>	<i>Ref.</i>	<i>Part Number</i>	<i>Qty.</i>	<i>Description</i>
1		1	Deck ASM-61 Painted ●	4	132-0872	1	Decal-Danger, Deck
2	491-0131-00	1	2020 Xtf-61 Decal	5	148-0430	1	Decal-Safety Blade Torque
3	148-0260	1	Decal-Deck Belt Routing	6	125-6127	2	Decal-Rotating Fan Hazard

● Not serviced separately

# Seat Suspension Assembly





## Seat Suspension Assembly (continued)

<i>Ref.</i>	<i>Part Number</i>	<i>Qty.</i>	<i>Description</i>	<i>Ref.</i>	<i>Part Number</i>	<i>Qty.</i>	<i>Description</i>
1	490-0021-00-05	1	Mwr Seat Susp Brkt Black	7	413-0020-00	4	3/8-16 Hex Flange Nut W/Serr Zinc Yellow
2	729-1000-00	2	Hood Rest Rubber Bumper	8	445-0006-00	2	5/16-18X3/4 SI 5-Lobe Male Knob 1.90 DIA
3	418-0039-00	2	1/4-20 X 1 Button Socket C/S 18-8 SS	9	104-7201	2	Nut-HF, NI
4	131-2220	2	Screw-HHF	10	3231-6	2	Screw-CARR
5	487-0003-00	2	Srt Rr Susp And Seat Ft Elastomer Tcb-3	11	148-0857	1	Decal-Weight, Seat
6	413-0022-00	2	Nut-HF				

**Notes:**

**Notes:**

